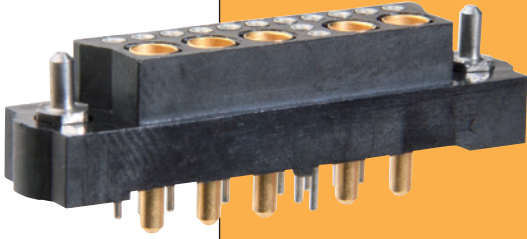


# M83 Datamate Connectors

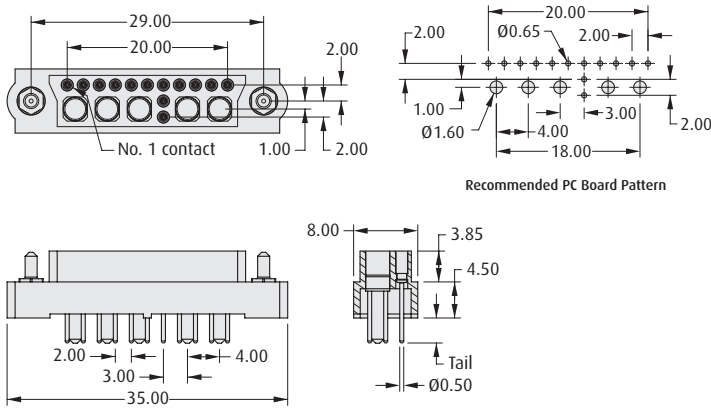
## Female Vertical PC Tail



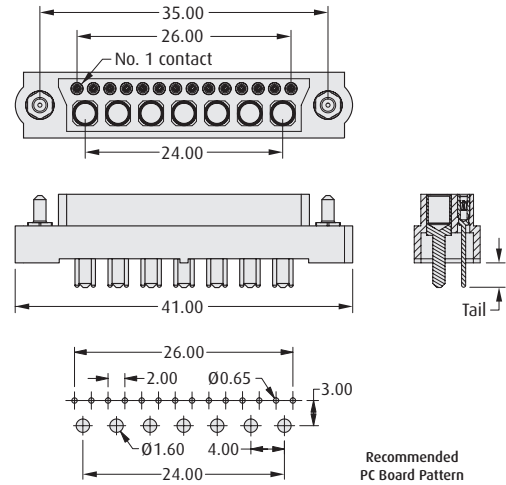
- ❖ Choice of compatible jackscrews and special contacts.
- ❖ All contacts are gold finish for full RoHS compliance.
- ❖ See page 67 for a signal-only configuration, and page 68 for an alternative mixed technology configuration.
- ❖ Contact [datamate@harwin.com](mailto:datamate@harwin.com) for alternative contact configurations.

Diagrams shown with special contact 321 and Jackscrew F4 assembled.

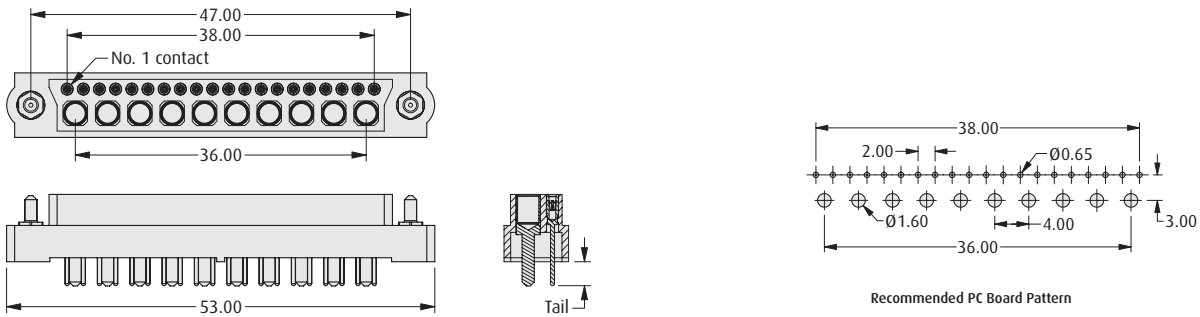
### 13 – 0302 CONFIGURATION



### 14 – 0700 CONFIGURATION



### 20 – 1000 CONFIGURATION



## HOW TO ORDER

**M83 - LF TX XX N XX - XXXX - XXX**

**SERIES CODE**

**SPECIAL CONTACTS**

301, 302, 321, 322

**TAIL**

|           |            |
|-----------|------------|
| <b>T1</b> | 3mm Tail   |
| <b>T2</b> | 4.5mm Tail |

**JACKSCREW**

|           |                                 |
|-----------|---------------------------------|
| <b>00</b> | No Jackscrew                    |
| <b>Fx</b> | Female Jackscrews – see page 64 |

**SIGNAL/SPECIAL CONFIGURATIONS**

|                  |
|------------------|
| <b>13 – 0302</b> |
| <b>14 – 0700</b> |
| <b>20 – 1000</b> |

[www.harwin.com](http://www.harwin.com)

All dimensions in mm.

