

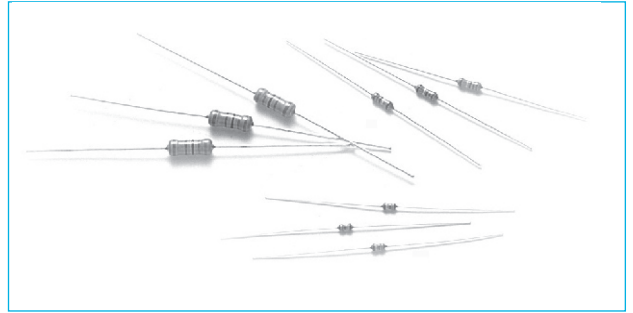
Resistors

High Voltage Flame Proof Resistors

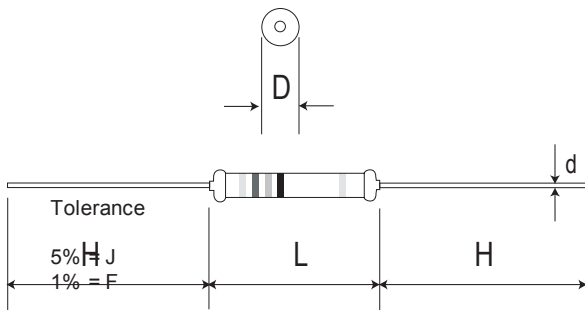
- Operating temperature -55°C to +155°C
- 1/4W to 3W
- Working Voltage up to 7000V

The DHVR series is available in power ratings from 1/4W to 3W
With tolerances of 5% and 10%

The resistors are coated with a pink lacquer, the 5th band is yellow for tolerance 5% to represent high Voltage resistors.



OUTLINE DRAWING



STYLE	Dimension			
	L	ØD	H	Ød
DHVR25	6.3±0.5	2.4±0.2	28±2.0	0.55±0.05
DHVR50SS				
DHVR50	9.0±0.5	3.3±0.3	26±2.0	0.55±0.05
DHVR100SS				
DHVR100	11.5±1.0	4.5±0.5	35±2.0	0.8±0.05
DHVR200SS				
DHVR200	15.5±1.0	5.0±0.5	33±2.0	0.8±0.05
DHVR300SS				

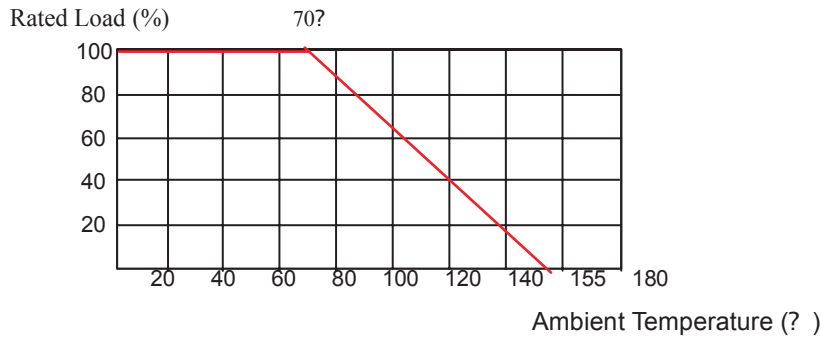
RANGE

Style	DHVR25	DHVR50SS	DHVR50	DHVR100SS	DHVR100	DHVR200SS	DHVR200	DHVR200SS
Power Rating at 70°C	0.25W	0.5W	0.5W	1W	1W	2W	2W	3W
Maximum Working Voltage DC	1600V		3500V		5000V		7000V	
Maximum Overload Voltage DC	3000V		7000V		10000V		14000V	
Dielectric Withstand Voltage	300V		500V		600V			
Resistance Range	100K ~ 68M for E24 values							
Operating Temperature Range	-55°C to +155°C							
Temperature Coefficient	±200 ppm/°C							

ORDERING INFORMATION

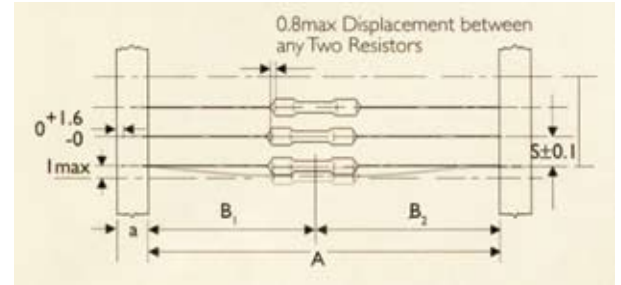
DHVR	25	J	100K	T	--
Power Rating	25 = 0.25W 50SS = 0.5W 50 = 0.5W 100SS = 1W 100 = 1W 200SS = 2W 200 = 2W 300SS = 3W	Tolerance J = 5% F = 1%	Value In Ohms	Packaging T = Tape in Ammo Blank = Bulk	Packaging Option 26 = 26mm 52 = 52.4mm 73 = 73mm

Derating Curve



Packing Methods

STYLE	DIMENSIONS				Unit: mm
Normal	a	A	B1-B2	S(spacing)	T (max. deviation of spacing)
DHVR25	6 ± 0.5	52.4 ± 1.0	1.2	5	1mm per 10 spacing 0.5mm per 5 spacing
DHVR50SS		26.0 ± 1.0	1.0		
DHVR50	6 ± 0.5	52.4 ± 1.0	1.2	5	
DHVR100SS		52.4 ± 1.0	1.2		
DHVR100	6 ± 0.5	73 ± 1.5	1.5	5	
DHVR200SS		52.4 ± 1.0	1.2		
DHVR200	6 ± 0.5	73 ± 1.5	1.5	5	
DHVR300SS		73 ± 1.5	1.5		



STYLE	Standard Lead Length			Qty Per Box
	W (A)	H (B)	L (C)	
Normal	75	55	255	2000
DHVR25				
DHVR50SS	75	55	255	2000
DHVR50				
DHVR100SS	103	78	260	1000
DHVR100				
DHVR200SS	90	74	260	500
DHVR200				
DHVR300SS				

