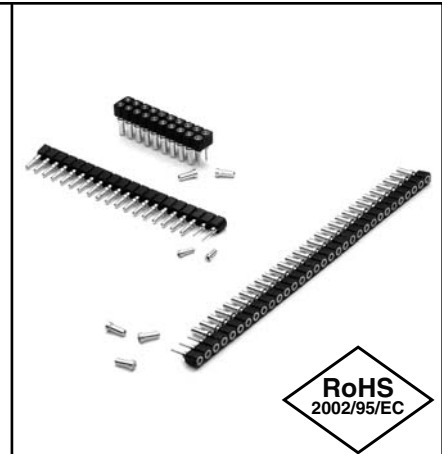


- Low profile receptacles sit 0,79 above the board.
- Series 714 uses MM #1401 & MM #1407 pin receptacles. See pages 128 and 141 for details.
- Hi-Rel, 4-finger BeCu #30 contact is used in the #1401 receptacle and a BeCu #11 contact is used in the #1407. Both contacts are rated at 3 amps. See pages 217 & 218 for details.
- Insulators are high temp. thermoplastic.



Ordering Information

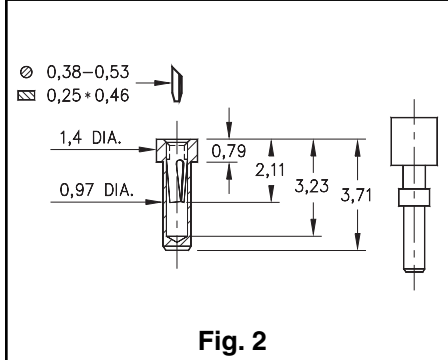


Fig. 1	Single Row (1,4 min. mounting hole)
	714-XX-1__-41-001000 Specify # of pins → 01-64

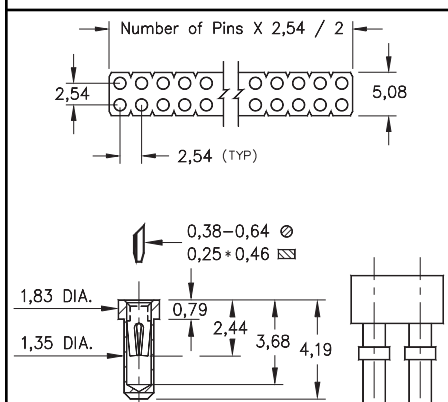


Fig. 2	Single Row (0,99 min. mounting hole)
	714-XX-1__-31-007000 Specify # of pins → 01-64

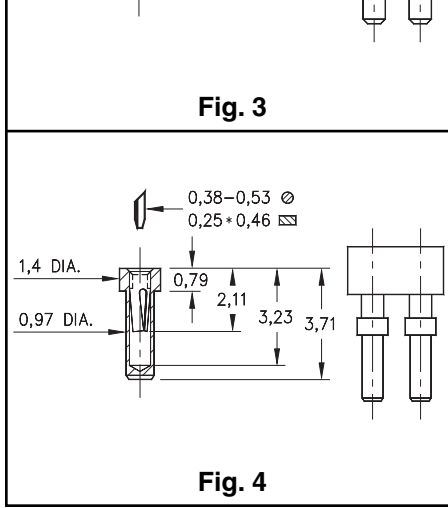


Fig. 3	Double Row (1,4 min. mounting hole)
	714-XX-2__-41-001000 Specify # of pins → 02-64

Fig. 4	Double Row (0,99 min. mounting hole)
	714-XX-2__-31-007000 Specify # of pins → 02-64

For Electrical, Mechanical & Environmental Data, See pg. 4

XX=Plating Code See Below

For RoHS compliance select ◇ plating code.

SPECIFY PLATING CODE XX=		93		43◇
Sleeve (Pin)		5,08µm Sn/Pb		5,08µm Sn
Contact (Clip)		0,76µm Au		0,76µm Au