

ASH NO	CONN TYPE	IMPD (OHMS)	MATERIAL	ASSEMBLE PER
-1	PL220		1-0442-025	TAI-A118
-2	CJ220	50	1-0443-025	
-3	PL240		1-0446-025	
-4	CJ240		1-0445-025	
-5	BJ226		1-0472-025	
-6	BJ229		1-0473-025	TAI-123
-7	BJ246		1-0046-025	
-8	BJ249		1-0047-025	
-9	LPL220	75	1-0468-025	TAI-D118
10	LPL240		1-0041-025	
11	PL223	50	1-0009-025	TAI-A118
12	LPL223	75	1-0050-025	TAI-D118
13	PL240S	50	1-0446-025	TAI-A118
14	LPL240S	75	1-0041-025	TAI-D118
15	LBJ229		1-0488-025	TAI-123
16	UCJ220		1-0494-025	TAI-D118
17	UCJ240		1-0496-025	
18	LBJ226		1-0489-025	TAI-123
19	LPLR220		1-0504-025	TAI-221
20	LPLFF220		1-0517-025	TAI-223
21	LBJ220		1-0515-025	TAI-D118

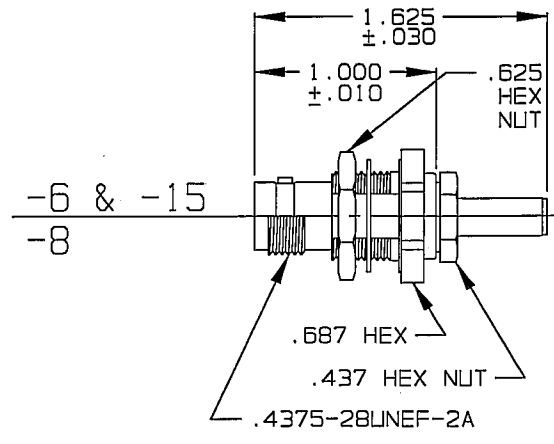
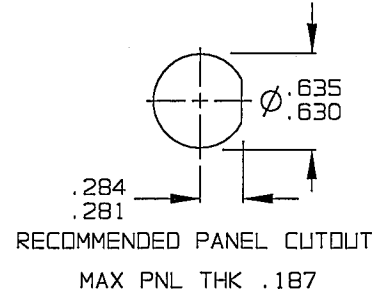
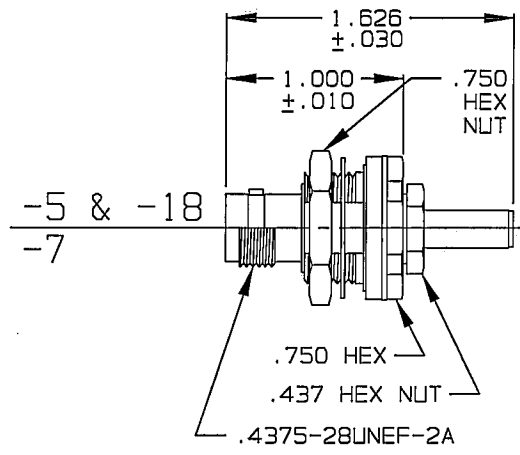
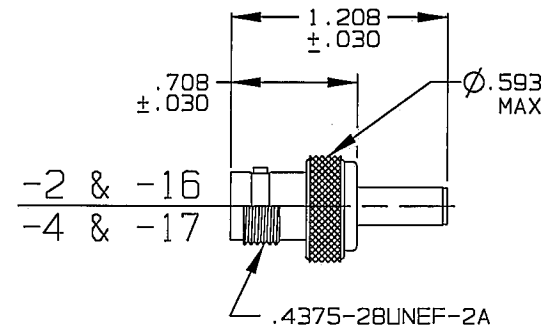
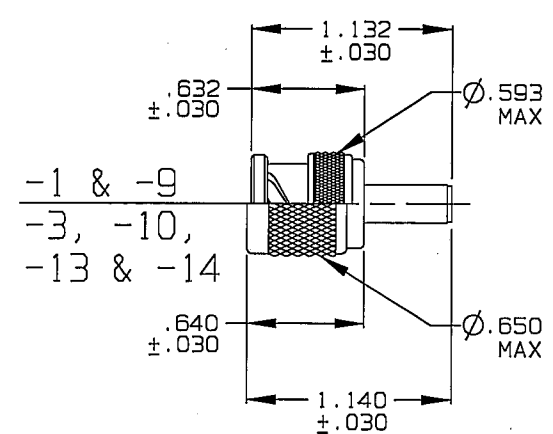
CENTER CONTACT CRIMP TOOLING			
CONTACT TYPE	MILITARY 8 POINT INDENTER	COMMERCIAL HEX	COMMERCIAL 8 POINT INDENTER
50 OHM PIN	M22520/1-01 BASIC TOOL WITH M22520/1-12 TURRET HEAD SELECTOR NO. 6	TEI CT4L BASIC TOOL WITH TEI CD3-2 DIE, CLOSURE C (.068 HEX)	N/A
50 OHM SOCKET	M22520/1-01 BASIC TOOL WITH M22520/1-12 TURRET HEAD SELECTOR NO. 6	TEI CT4L BASIC TOOL WITH TEI CD3-2 DIE, CLOSURE C (.068 HEX)	N/A
75 OHM PIN	N/A	TEI CT4L BASIC TOOL WITH TEI CD3-2 DIE, CLOSURE D (.042 HEX)	TEI 010-0097 8 PT 010-0098 12 PT
75 OHM SOCKET	N/A	TEI CT4L BASIC TOOL WITH TEI CD3-2 DIE, CLOSURE D (.042 HEX)	TEI 010-0088

DATA CONTAINED IN THIS DOCUMENT IS PROPRIETARY TO TROMPETER ELECTRONICS INC. AND SHALL NOT BE DISCLOSED, COPIED OR USED FOR PROCUREMENT OR MANUFACTURE WITHOUT EXPRESS WRITTEN PERMISSION OF TROMPETER ELECTRONICS INC.

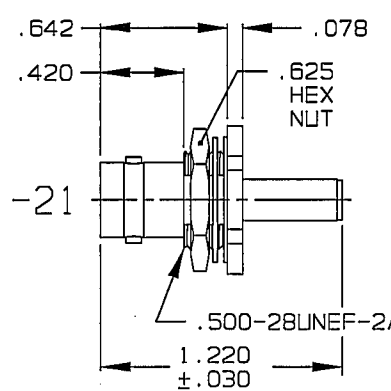
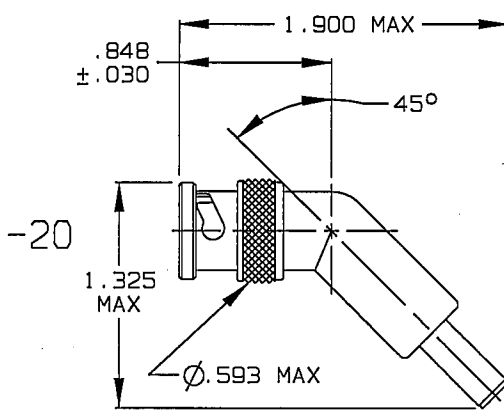
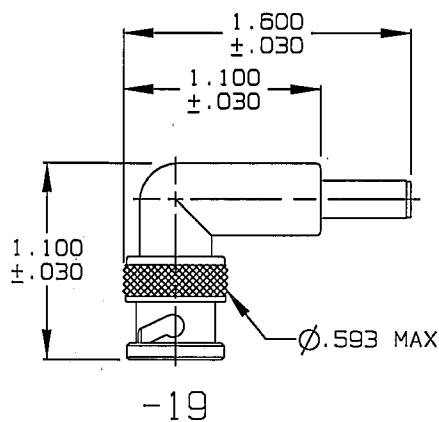
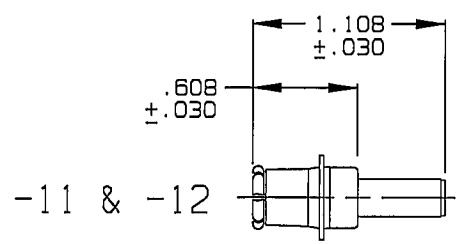
REVISIONS		105-1439	SH 1C
REV	DESCRIPTION	DATE	APPROVED
A	REVISED PER ECD #14061	5/22/01	[Signature]

CRIMP SLEEVE TOOLING		
CONNECTOR TYPE	MILITARY HEX	COMMERCIAL HEX
50 OR 75 OHM CONNECTORS	M22520/5-01 BASIC TOOL WITH M22520/5-07 DIE, CLOSURE A (.255 HEX)	TEI CT4L BASIC TOOL WITH TEI CD3-2 DIE, CLOSURE B (.255 HEX)

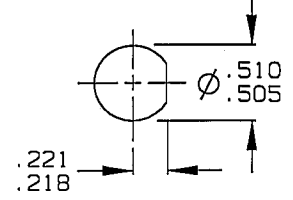
RED INDICATES ORIGINAL



△.218 THK



△.100 THK



RECOMMENDED PANEL CUTOUT
MAX PNL THK △

2. EXAMPLE OF COMPLETE PART NO:
105-1439 - 1
BASIC PART NO. [] DASH NO (SEE TABLE 1)

1. 50 & 75 OHM FULL CRIMP COAXIAL BNC/TNC CABLE PLUGS/RECEPTACLE/INSULATED & NONINSULATED BULKHEAD MOUNT CABLE RECEPTACLE/PUSH-ON PLUG & 75 OHM BNC/TNC/PUSH-ON FULL CRIMP COAXIAL CABLE PLUG FOR BELDEN CABLE NO. YM23969; 9104

△ REPLACE 8-1613-16 CRIMP SLEEVE WITH 8-1613-5 CRIMP SLEEVE

INTERPRET DRAWING PER MIL-STD-100 DIMENSIONS ARE IN INCHES AND INCLUDE FINISH THICKNESS UNLESS OTHERWISE SPECIFIED

TOL: UNLESS SPECIFIED
.XX
.XXX ±.005
.XXXX ANGLES



DRAWN: R L
CHECKED: [Signature]
APPROVED: [Signature]

DATE: 5/11/01
FINISH: TFS-1A (NICKEL)

TITLE: 220/240 SERIES-YM23969

NEXT ASSY

CAD FILE NO. 105-1439A1

DO NOT SCALE DWG

SIZE: B	CAGE CODE: 14949	DRAWING NO.: 105-1439	REV.: A
SCALE: NONE	DATE: 12/28/92	SHEET: 1C	