

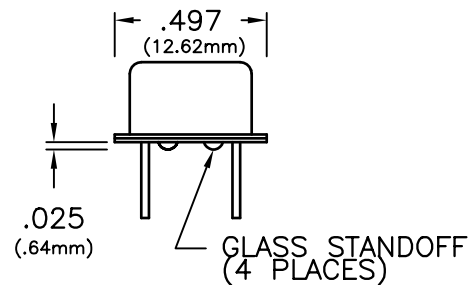
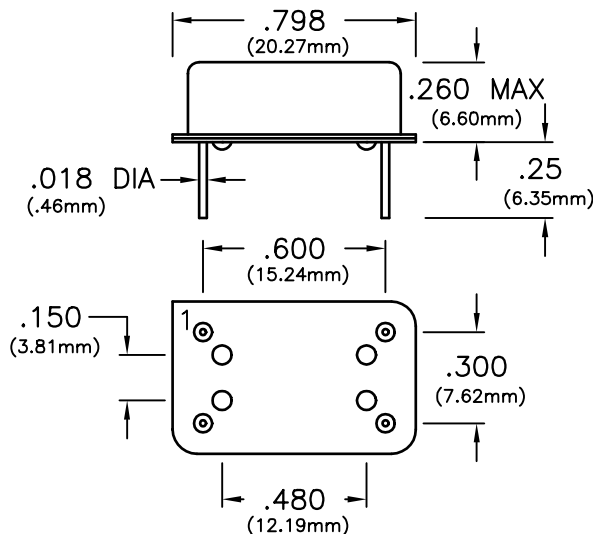


# CONNOR-WINFIELD CORPORATION

AURORA, IL. 60505  
 PHONE (630) 851-4722  
 FAX (630) 851-5040

## 14 PIN DIP VCO

SPECIFICATIONS		PL14R1A		PL14R2		PL14R3			
Center Frequency (Fo)		100KHz to 76.923MHz		100KHz to 69.565MHz		100KHz to 61.538MHz			
Frequency Stability		±1%		±1%		±2%			
Temperature Range		0°C to +70°C							
Supply Voltage		+5Vdc ±5%							
Supply Current		35mA Typical , 80mA Maximum							
Output	Waveform	TTL Squarewave							
	Load	10 TTL							
	Voltage	Voh	2.4V Minimum						
		Vol	0.5V Maximum						
	Current	Ioh	-16mA						
		Iol	16mA						
	Duty Cycle	50/50 ±2% Typical , ±5% Maximum							
	Rise/Fall Time	10nS Maximum , 5nS Typical							
SSB Phase Noise (Typical)	@1KHz	-80dBc/Hz							
	@10KHz	-100dBc/Hz							
	@25KHz	-105dBc/Hz							
	@100KHz	-115dBc/Hz							
Frequency Control	Control Voltage	0.0V to 5.0V Positive Transfer Characteristics							
	Center Freq	2V to 3V							
Deviation @ 25°C (Referenced to Fo)	PL14R1A		PL14R2			PL14R3			
	Min	Typ	Max	Min	Typ	Max	Min	Typ	Max
	0V on Pin 1	-2%	-3%	-4%	-10%	-12%	-15%	-20%	-25%
5V on Pin 1	+2%	+3%	+4%	+10%	+12%	+15%	+20%	+25%	+30%



PIN	CONNECTION
1	CONTROL VOLTAGE
7	GROUND (CASE)
8	OUTPUT
14	(+) SUPPLY

Specifications subject to change without notice

BULLETIN #: VC002  
 PAGE 1 OF 1

REV: 03  
 DATE: 6/3/98

ISSUED BY: \_\_\_\_\_

Dimensional Tolerance: ±.02"  
 ±.005"