

**SPECIFICATIONS**

**Mechanical**

**Mating Force:** 4.5Pounds max.  
**Unmating Force:** 4.5Pounds max.  
**Durability:** 1000 Cycles

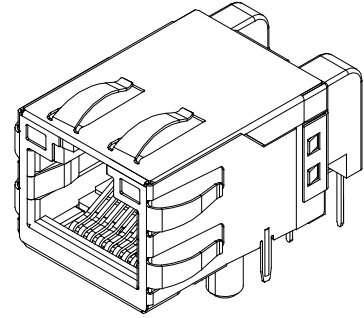
**Electrical**

**Current Rating:** 1.5A max.  
**Dielectric Withstanding Voltage:** 1500VAC

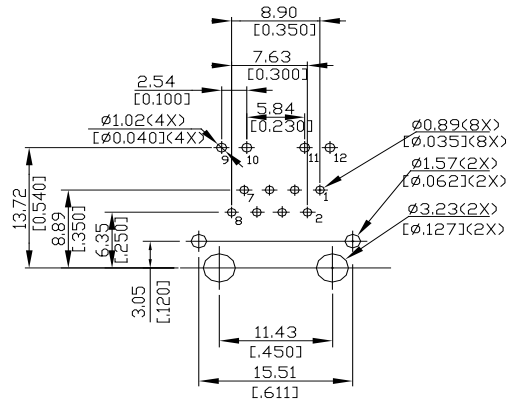
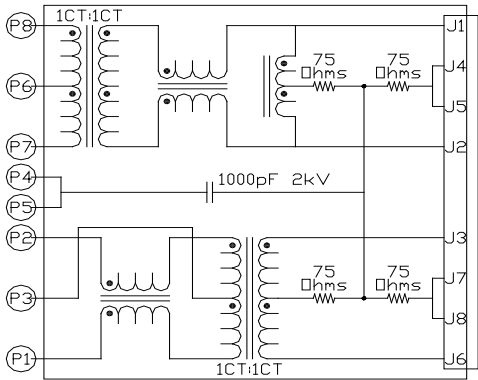
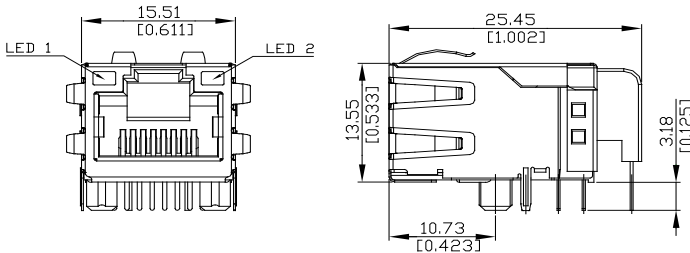
**Physical**

**Housing:** Thermoplastic, UL94V-0 rated in Black Color  
**Contact:** Phosphor Bronze  
**Shell:** Copper Alloy or stainless steel  
**Operating Temperature:** -40°C to +85°C

**JFM Series**  
**RJ45 1X1**  
**R/A,T/U,T/H Type**  
**1.27mm [.050"] Pitch,**  
**10/100**



**DRAWING**



RECOMMENDED PCB LAYOUT

**ORDERING INFORMATION**

PRODUCT NO.: JFM 2 5 1 1 J - 2110 - 4 F

SERIES PREFIX: JFM = RJ WITH MAGNETIC  
 PROTOCOL TYPE: 2 = 10/100  
 CORE COUNT: 5 = 5-CORE  
 CONFIGURATION: 1 = 1X1 T/U  
 LEAD FREE CODE: F = LEAD FREE  
 PACKAGE TYPE: 4 = TRAY  
 EXTENSION CODE: RUNNING NUMBER  
 LEDs:  
 PCB ATTACHMENT METHOD: 1 = SOLDER TAIL

J	GREEN/ORANGE	GREEN
A	GREEN	GREEN/YELLOW
9	GREEN	RED
8	RED	GREEN
7	YELLOW	RED
6	RED	YELLOW
5	RED	RED
4	YELLOW	YELLOW
3	GREEN	YELLOW
2	GREEN	GREEN
1	YELLOW	GREEN
0	NONE	NONE
	LED1	LED2