

3.2 x 2.5 x 1.2 mm 32.768kHz CERAMIC SURFACE MOUNT CRYSTAL OSCILLATOR

ASEK Series



RoHS Compliant



3.2 x 2.5 mm

FEATURES:

- 32.768kHz in 3.2 x 2.5 package
- Seam sealed assure high reliability performance
- Low current consumption
- IR-Reflow capable
- Extend temperature range available

APPLICATIONS:

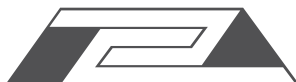
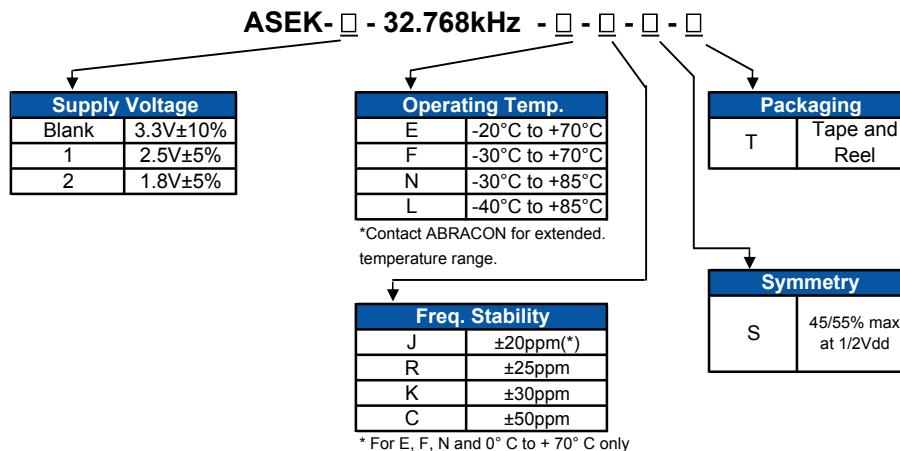
- Laptop
- Digital camera
- Wireless LAN
- Bluetooth and mobile communication
- LCD
- PDA and MP3 player

STANDARD SPECIFICATIONS:

PARAMETERS

ABRACON P/N	ASEK Series
Frequency	32.768kHz
Operation Mode	AT cut (Fundamental or 3rd OT) or BT cut (See options) 3.579545MHz - 24.0MHz (Fundamental) (Standard) 24.01 - 70.00MHz (3rd- Overtone) (Standard) 24.01MHz - 50.00MHz (Fund. AT or BT) (See options)
Operating Temperature	0°C to + 70°C (see options)
Storage Temperature	- 55°C to + 125°C
Overall frequency stability:	±100 ppm max. (see options)
Supply voltage (Vdd):	3.3 Vdc ± 10% (see options)
Supply current:	0.8mA typical, 1.5mA max.(Vdd= 1.8V±5%) 1.2mA typical, 2.5mA max.(Vdd= 2.5V±5%) 1.7mA typical, 3.5mA max.(Vdd= 3.3V±10%)
Symmetry:	40/60 % max.@ 1/2Vdd (see options)
Rise and fall time (Tr/Tf):	40ns typical, 50 ns max
Output load:	15pF
Output voltage:	VOH = 0.9 * Vdd min. VOL = 0.1 * Vdd max
Start-up time:	24ms typical, 28ms max
Tri-state function :	Logic "1" or open: Oscillation Logic "0" (VIL < 0.8 Vdc) : Hi z
Aging at 25°C :	± 3ppm/year

OPTIONS AND PART IDENTIFICATION (Left blank if standard)



3.2 x 2.5 x 1.2 mm 32.768kHz CERAMIC SURFACE MOUNT CRYSTAL OSCILLATOR

ASEK Series

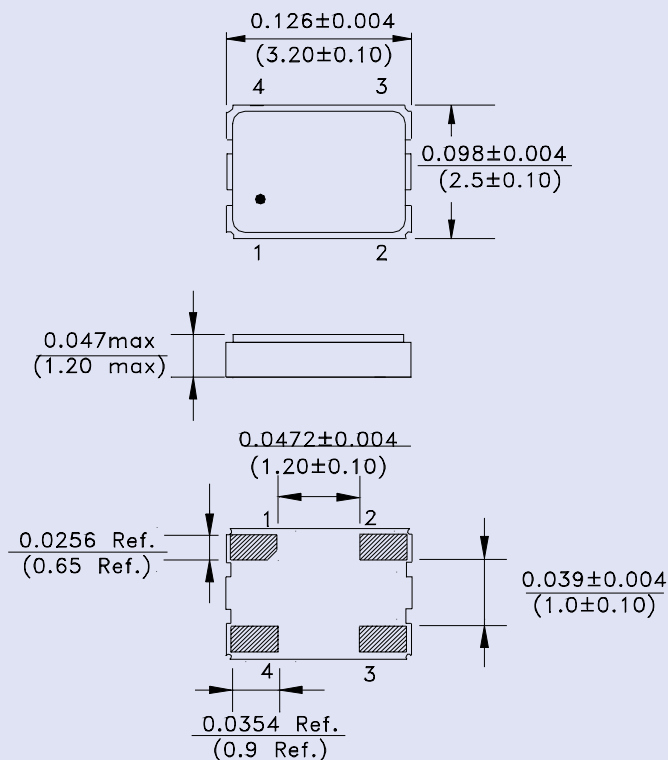


RoHS Compliant

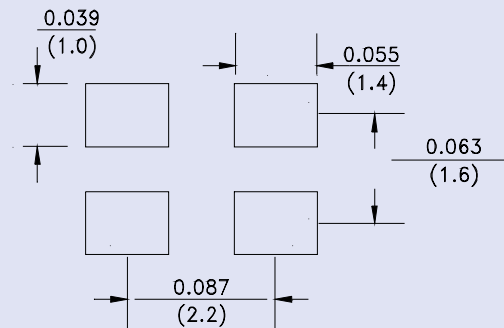


3.2 x 2.5 mm

OUTLINE DRAWING:



Recommended Land Pattern

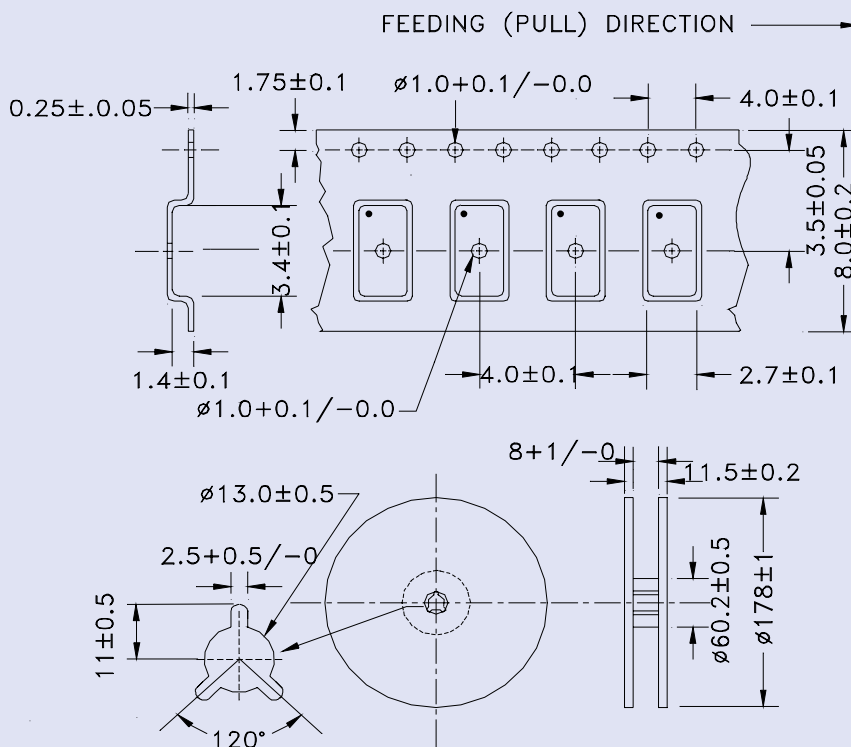


PIN	FUNCTION
1	Tri-state
2	GND
3	Output
4	Vdd

Note: Recommend using an approximately 0.01uF bypass capacitor between PIN 2 and 4.

Dimensions: inches (mm)

TAPE & REEL: [1,000pcs/reel]



Dimensions: mm