



AK5374

24-bit Stereo ADC with USB Interface

GENERAL DESCRIPTION

The AK5374 is a stereo A/D converter with a USB 2.0 interface. The device includes an integrated USB serial interface engine, a USB transceiver, an audio class processing block, endpoints, and a 24-bit stereo audio ADC. An integrated PLL enables the use of multiple sampling frequencies. A microphone amplifier and an integrated programmable gain amplifier are available for processing low-level signals from an analog microphone element. An external EEP-ROM is used to store the descriptor information. The AK5374 is housed in a 36-pin package. It is a low power device, operating from +3.3V, and consuming just 100mW in active mode and less than 100 μ A in suspend mode.

FEATURES

- USB 2.0 compliant (full speed audio class)**
- USB audio controller**
 - USB serial interface engine
 - Audio class encoder/decoder
- USB synchronization**
 - Synchronous type (synchronize with 1ms SOF)
- 24-bit stereo A/D converter with mute control**
 - S/(N+D) = 85dB, S/N = 91dB (AVDD=3.3V, MIC-Amp = 0dB)
 - S/(N+D) = 70dB, S/N = 78dB (AVDD=3.3V, MIC-Amp = +30dB)
- Microphone amplifier gain:**
 - 0dB, +6dB, +12dB, +18dB, +24dB, +30dB, +36dB
- Digital programmable gain: +24dB ~ -31dB, 1dB Step**
- Integrated PLL supports standard sampling frequencies**
 - 8kHz, 11.025kHz, 16kHz, 22.05kHz, 32kHz 44.1kHz, 48kHz
- EEP-ROM interface for descriptors**
- Power Management**
- Low power consumption**
 - 30mA in active mode
 - Less than 100 μ A in suspend mode
- Power Supply:**
 - Analog Power Supply (AVDD): 3.0 ~ 3.6V
 - Digital Power Supply (DVDD): 3.0 ~ 3.6V
- Ta = -10 ~ +70°C**
- Package:**
 - 36pin QFN (5 x 5 mm, 0.4mm pitch)



■ Block Diagram

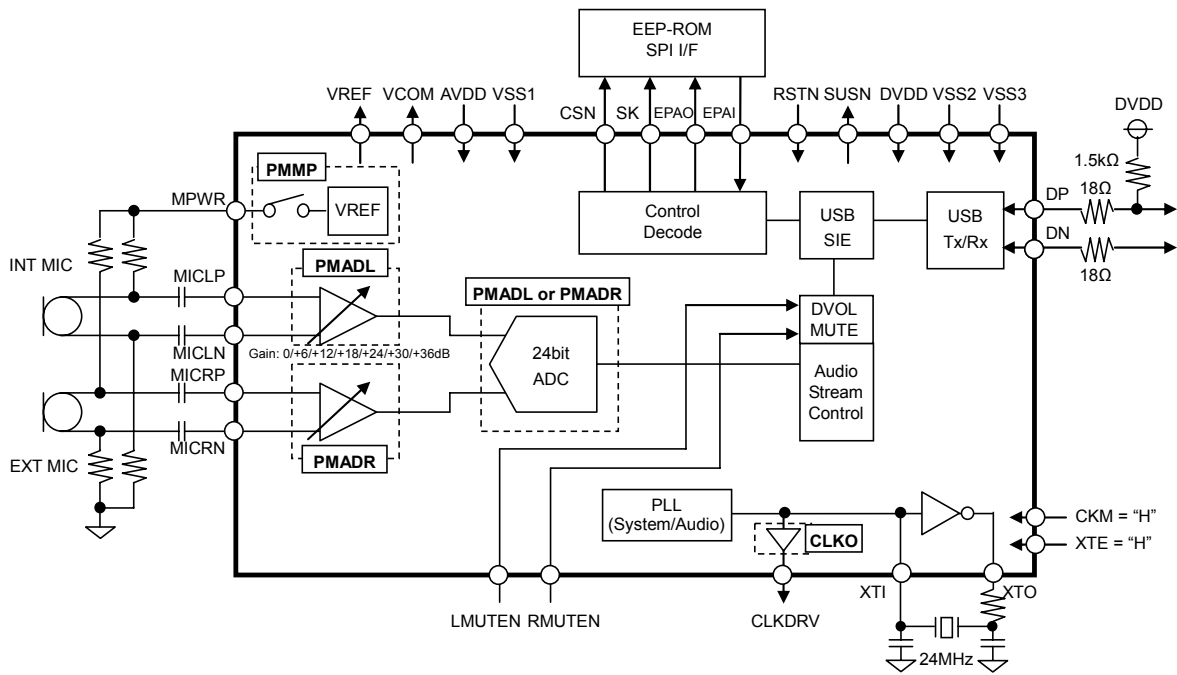
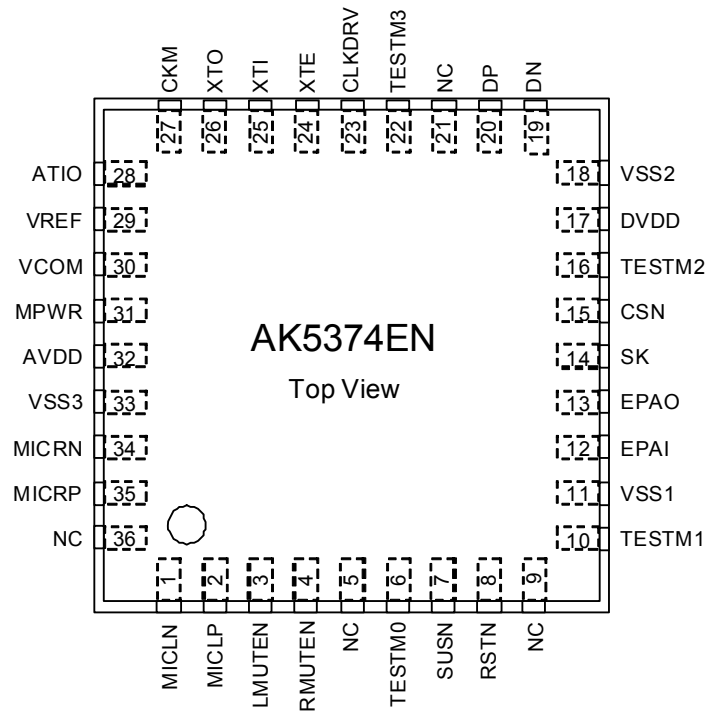


Figure 1. Block Diagram

■ **Ordering Guide**

AK5374EN -10 ~ +70°C 36pin QFN (0.4mm pitch)
 AKD5374 Evaluation board for AK5374

■ **Pin Layout**



PIN/FUNCTION				
No.	Pin Name	I/O	Function	Reset State (RSTN pin = "L")
1	MICLN	I	Left Channel Inverting Input Pin	←
2	MICLP	I	Left Channel Positive Input Pin	←
3	LMUTEN	I	Left Channel Mute Pin "L": Mute "H": Normal Operation	←
4	RMUTEN	I	Right Channel Mute Pin "L": Mute "H": Normal Operation	←
5	NC	-	No Connect Pin No internal bonding. Normally connected to VSS1-3.	←
6	TESTM0	I	Test #0 Pin This pin must be connected to VSS1-3.	←
7	SUSN	O	Suspend Status Output Pin "L": Suspend State "H": Normal Operation	"L" output
8	RSTN	I	Reset Pin When "L", the AK5374 is held in reset. The AK5374 must be always reset upon power-up.	←
9	NC	-	No Connect Pin No internal bonding. Normally connected to VSS1-3.	←
10	TESTM1	I	Test #1 Pin This pin must be connected to VSS1-3.	←
11	VSS1	-	Ground Pin	←
12	EPAI	I	EEP-ROM Serial Data Input Pin	←
13	EPAO	O	EEP-ROM Serial Data Output Pin	"Hi-Z"
14	SK	O	EEP-ROM Serial Clock Output Pin	"Hi-Z"
15	CSN	O	EEP-ROM Chip Select Output Pin	"Hi-Z"
16	TESTM2	I	Test #2 Pin This pin must be connected to VSS2.	←
17	DVDD	-	Digital Power Supply Pin, 3.0 ~ 3.6V	←
18	VSS2	-	Ground Pin	←
19	DN	I/O	USB Bus Inverting Pin	Input
20	DP	I/O	USB Bus Positive Pin This pin must be connected to DVDD with 1.5kΩ resistor.	Input
21	NC	-	No Connect Pin No internal bonding. Normally connected to VSS1-3.	←
22	TESTM3	I	Test #3 Pin This pin must be connected to VSS1-3.	←
23	CLKDRV	O	Clock Drive Output Pin	"L" output
24	XTE	I	Crystal Oscillator Enable Pin "L": Master Clock Input Mode "H": Crystal Oscillator Mode	←
25	MCKI	I	Master Clock Input Pin (XTE pin = "L")	←
	XTI	I	Crystal Oscillator Input Pin (XTE pin = "H")	←
26	XTO	O	Crystal Oscillator Output Pin	"L" output
27	CKM	I	Crystal Mode Select Pin "L": 16MHz "H": 24MHz	←

No.	Pin Name	I/O	Function	Reset State (RSTN pin = "L")
28	ATIO	I/O	Test Pin This pin must be connected to VSS1-3.	"Input"
29	VREF	O	High Level Voltage Reference Output Pin	"L" output
30	VCOM	O	Analog Common Voltage Output Pin	"L" output
31	MPWR	O	Microphone Power Supply Pin	"Hi-Z"
32	AVDD	-	Analog Power Supply Pin, 3.0 ~ 3.6V	←
33	VSS3	-	Ground Pin	←
34	MICRN	I	Right Channel Inverting Input Pin	←
35	MICRP	I	Right Channel Positive Input Pin	←
36	NC	-	No Connect Pin No internal bonding. Normally connected to VSS1-3.	←

Note 1. All digital input pins (EPAI, CKM, LMUTEN, RMUTEN, XTE and TESTM0/1/2/3 pins) must not be left floating.

■ Handling of Unused Pin

Unused I/O pins must be processed appropriately as below.

Classification	Pin Name	Setting
Analog Input	MICLP, MICLN	MICLP pin is connected to MICLN pin.
	MICRP, MICRN	MICRP pin is connected to MICRN pin.
	ATIO	This pin must be connected to VSS1-3.
Analog Output	MPWR	This pin must be open.
Digital Input	CKM, XTE, TESTM0/1/2/3	These pins must be connected to VSS1-3.
	LMUTEN, RMUTEN	These pins must be connected to DVDD.
Digital Output	SUSN, CLKDRV	These pins must be open.

ABSOLUTE MAXIMUM RATINGS

(VSS1=VSS2=VSS3=0V; Note 2)

Parameter	Symbol	min	max	Units	
Power Supplies:	Analog	AVDD	-0.3	4.6	V
	Digital	DVDD	-0.3	4.6	V
Input Current, Any Pin Except Supplies	IIN	-	±10	mA	
Analog Input Voltage	VINA (Note 3)	-0.3	AVDD+0.3	V	
Digital Input Voltage	VIND (Note 4)	-0.3	DVDD+0.3	V	
Ambient Temperature (power applied)	Ta	-10	70	°C	
Storage Temperature	Tstg	-65	150	°C	

Note 2. All voltages with respect to ground.

Note 3. MICLP, MICLN, MICRP and MICRN pins.

Note 4. CKM, LMUTEN, RMUTEN, EPAI, XTE and TESTM0/1/2/3 pins.

WARNING: Operation at or beyond these limits may result in permanent damage to the device.
Normal operation is not guaranteed at these extremes.

RECOMMENDED OPERATING CONDITIONS

(VSS1=VSS2=VSS3=0V; Note 2)

Parameter	Symbol	min	typ	max	Units	
Power Supplies (Note 5)	Analog	AVDD	3.0	3.3	3.6	V
	Digital	DVDD	3.0	3.3	3.6	V
	Difference	AVDD-DVDD	-0.3	0	+0.3	V

Note 2. All voltages with respect to ground.

Note 5: The power up sequence among AVDD and DVDD is not critical.

WARNING: AKM assumes no responsibility for the usage beyond the conditions in this datasheet.

ANALOG CHARACTERISTICS

(Ta=25°C; AVDD=DVDD=3.3V; VSS1=VSS2=VSS3=0V; Signal Frequency = 1kHz; Sampling Frequency = 48kHz; BW = 20Hz to 20kHz, unless otherwise specified)

Parameter	min	typ	max	Units	
Microphone Amplifier: MICLP/MICLN/MICRP/MICRN pins					
Input Resistance	10	20	-	kΩ	
Gain	MGAIN0-2 bits = "001"	-1	0	+1	dB
	MGAIN0-2 bits = "010"	+5	+6	+7	dB
	MGAIN0-2 bits = "011"	+11	+12	+13	dB
	MGAIN0-2 bits = "100"	+17	+18	+19	dB
	MGAIN0-2 bits = "101"	+23	+24	+25	dB
	MGAIN0-2 bits = "110"	+29	+30	+31	dB
	MGAIN0-2 bits = "111"	+35	+36	+37	dB
Microphone Power Supply: MPWR pin					
Output Voltage	1.9	2.2	2.5	V	
Output Current	-	-	2.0	mA	
ADC Analog Input Characteristics: MICLP/MICLN/MICRP/MICRN pins					
Resolution	-	-	24	Bits	
Input Voltage	(Note 6)	±1.00	±1.20	±1.40	V _{pp}
	(Note 7)	-	±0.038	-	V _{pp}
S/(N+D) (-1dBFS)	(Note 6)	75	85	-	dB
	(Note 7)	-	70	-	dB
Dynamic Range (-60dBFS, A-weighted)	(Note 6)	81	91	-	dB
	(Note 7)	-	78	-	dB
S/N (A-weighted)	(Note 6)	81	91	-	dB
	(Note 7)	-	78	-	dB
Power Supplies:					
Power Supply Current					
Normal operation (internal ADC mode)	AVDD	-	10	15	mA
	DVDD	-	20	30	mA
Power down	RSTN pin = "L" (Note 8)	-	10	100	μA
	Suspend mode	-	10	100	μA

Note 6. MGAIN2-0 bits = "001" (0dB)

Note 7. MGAIN2-0 bits = "110" (+30dB)

Note 8. All digital input pins are fixed to DVDD or VSS2.

FILTER CHARACTERISTICS

(Ta=-10 ~ +70°C; AVDD=DVDD=3.0 ~ 3.6V; fs=48kHz)

Parameter	Symbol	min	typ	max	Units	
ADC Digital Filter						
Passband (Note 9)	-0.07 ~ +0.15dB	PB	0	-	18.9	kHz
	-0.2dB		-	20.3	-	kHz
	-3.0dB		-	22.9	-	kHz
	-6.0dB		-	23.9	-	kHz
Stopband	SB	28.0	-	-	kHz	
Passband Ripple	PR	-0.07	-	+0.15	dB	
Stopband Attenuation	SA	-	68.0	-	dB	
Group Delay	GD	-	14	-	1/fs	
Group Delay Distortion	ΔGD	-	0	-	μs	
ADC Digital Filter (HPF):						
Frequency Response (Note 9)	-3.0dB	FR	-	0.93	-	Hz
	-0.1dB		-	6.1	-	Hz

Note 9. The passband and stopband frequencies scale with fs (system sampling rate). Each response refers to that of 1kHz

DC CHARACTERISTICS

(Ta=-10 ~ +70°C; AVDD=DVDD=3.0 ~ 3.6V)

Parameter	Symbol	min	typ	max	Units
High-Level Input Voltage (Note 11)	VIH	70%DVDD	-	-	V
Low-Level Input Voltage (Note 11)	VIL	-	-	30%DVDD	V
High-Level Output Voltage (Note 12, Iout=-200μA)	VOH	DVDD-0.2	-	-	V
Low-Level Output Voltage (Note 12, Iout=200μA)	VOL	-	-	0.2	V
Input Leakage Current (Note 13)	Iin	-	-	±10	μA

Note 10. All digital pins except for DP, DN pins. Schmitt hysteresis level of RSTN pin and levels of all test pins are not tested.

Note 11. EPAI, CKM, LMUTEN, RMUTEN, RSTN, XTE and TESTM0/1/2/3 pins.

Note 12. CSN, SK, EPAO, SUSN and CLKDRV pins.

Note 13. Expect for EPAI pin. EPAI pin has internal pull-down device, nominally 100kΩ.

SWITCHING CHARACTERISTICS

(Ta=25°C; AVDD=DVDD=3.3V; CL=50pF)

Parameter	Symbol	min	typ	max	Units	
Master Clock Frequency						
Crystal Resonator	CKM pin = "L"	fXTAL1	-	16	-	MHz
	CKM pin = "H"	fXTAL2	-	24	-	MHz
USB Interface						
DP, DN Single Ended Receiver Threshold	(High-Level)	VseH	2.0	-	-	V
	(Low-Level)	VseL	-	-	0.8	V
Time Width for USB Reset Signal Recognition (DP<VseL & DN< VseL to USB Reset mode)	Trst_rec	2.7	-	-	-	μs
Device Ready Time from USB Reset (Ready for transaction after reset)	Tdrr	-	-	10	-	ms
Time Width for Suspend Recognition (Idle state DP > VseL & DN < VseL to Suspend mode)	Tsus_rec	3.0	-	-	-	ms
Resume Time from Suspend (Note 14) (First flip of DP/DN from Idle state to Device Ready)	Tresm	-	-	30	-	ms
USB Transmitter						
Data Rate	DR	11.97	12	12.03	-	MHz
Output Impedance (Hi) (Note 15) (DP, DN pins = "H", Iout = -10mA)	Roh	-	36	-	-	Ω
Output Impedance (Lo) (Note 15) (DP, DN pins = "L", Iout = 10mA)	Rol	-	36	-	-	Ω
"H" level Output Voltage (Iout = -200μA)	Vohd	2.8	-	-	-	V
"L" level Output Voltage (Iout = 2.2mA)	Vold	-	-	0.3	-	V
Tri-state Leakage Current (0 < DP, DN < 3.3V)	Iolk	-10	-	10	-	μA
Rise/Fall Time	Trf/Tff	4	12	20	-	ns
Rise/Fall Time Matching	Trfm	-	100	-	-	%
Crossover Point	Vcrs	-	1.65	-	-	V
USB Receiver						
Common Mode Range	CMR	0.8	-	2.5	-	V
Differential Input Sensitivity	DIS	200	-	-	-	mV
Schmitt High Level Voltage	Vihs	2.0	-	-	-	V
Schmitt Low Level Voltage	Vils	-	-	0.8	-	V

Note 14. VREF, X'tal oscillator, and PLL get stable and bus transaction with normal rate is ready.

Note 15. Including an external 18Ω (±1%) resistor in series.

Parameter	Symbol	min	typ	max	Units
SPI (EEP-ROM) Control Interface Timing					
SK Frequency	fSK	-	1.5	-	MHz
SK Duty Cycle	dSK	-	50	-	%
EPAI Delay	tCD	-	-	100	ns
CSN Edge to SK "↑"	tCSS	300	-	-	ns
SK "↓" to CSN Edge	tCSH	300	-	-	ns
CSN "H" Time	tCSW	300	-	-	ns
EPAI Setup Time	tCDS	100	-	-	ns
EPAI Hold Time	tCDH	100	-	-	ns
One Shot Mute Timing					
One Shot Mute Input Width	Wosm	10	-	-	μs
Reset Timing					
Reset Input Width (Note 16)	Wrst	1.0	-	-	μs

Note 16. The AK5374 can be reset by the RSTN pin = "L".

■ Timing Diagrams

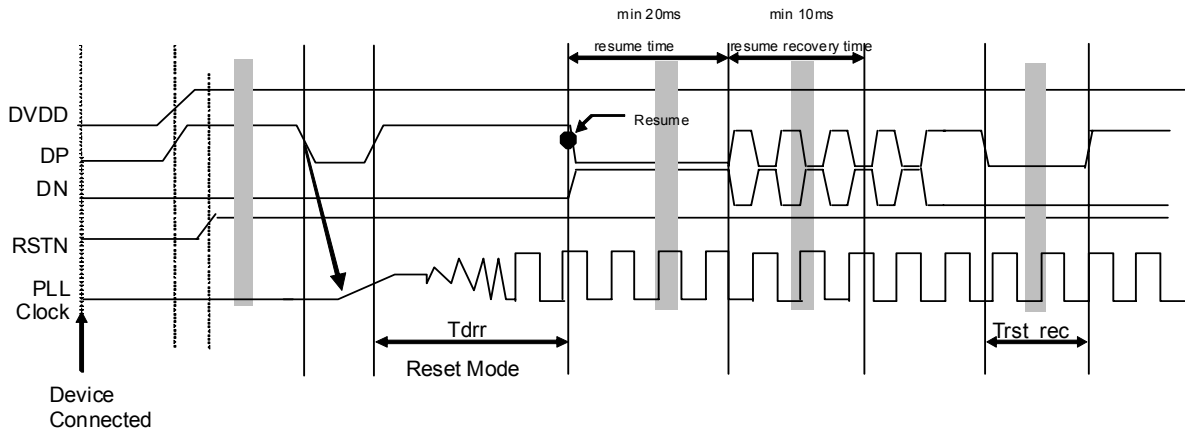


Figure 2. Mode change with respect to BUS States 1 (Power on and device connected)

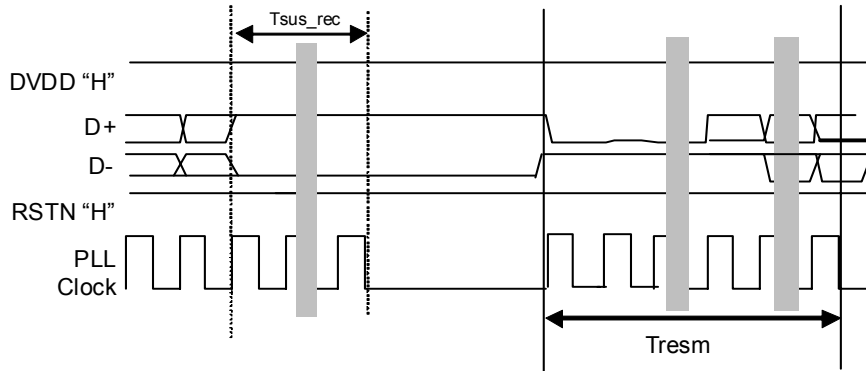


Figure 3. Mode Change with respect to Bus States 2 (Bus transactions)

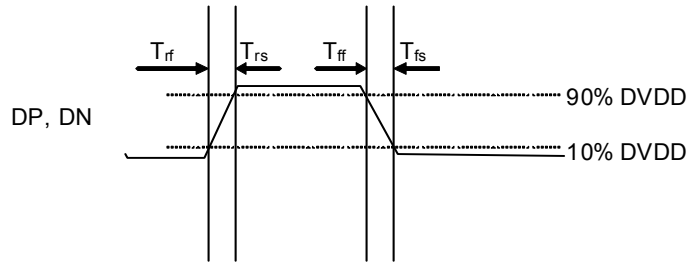


Figure 4. Rise/Fall Time

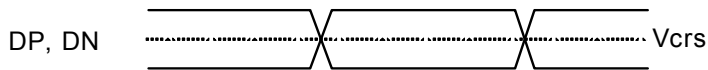


Figure 5. Crossover Point

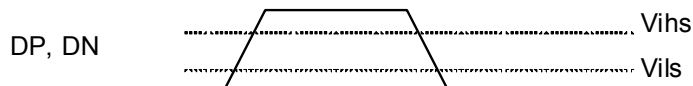


Figure 6. Schmitt Level Voltage

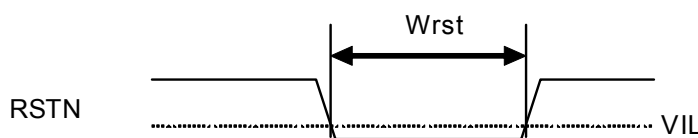


Figure 7. Power-down & Reset Timing

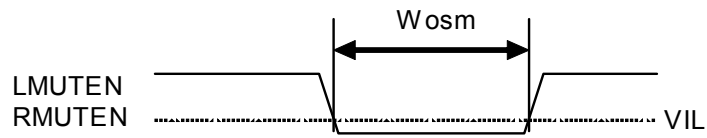


Figure 8. One Shot Mute Timing

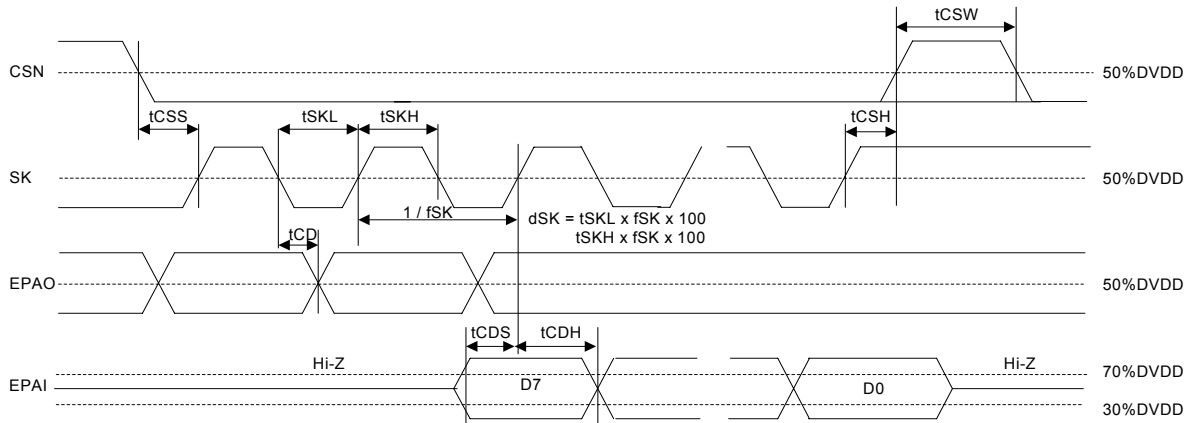


Figure 9. SPI (EEP-ROM) Control Interface Timing

OPERATION OVERVIEW

■ Overview of AK5374

The AK5374 is a stereo A/D converter with USB interface. It is easy to use since the control logic including USB audio class, stereo differential microphone amplifiers, two PLL's USB serial interface engine, and FIFO are integrated. All Descriptor contents are stored in EEP-ROM and customizable. For example, when supporting a mono microphone by 48kHz sampling rate only, what needed to be done is to prepare appropriate USB descriptor. There is no need for writing program codes.

The AK5374 integrates the following blocks:

1. 24bit High Performance Stereo A/D Converter
 - a) S/N: 91dB (MIC Gain=0dB), S/N: 78dB (MIC Gain=+30dB)
2. MIC Power Supply
 - a) Output Voltage: 2.2V (typ)
3. Differential Microphone Amplifier
 - a) Setting of Gain: 0dB, +6dB, +12dB, +18dB, +24dB, +30dB, +36dB
4. Digital Programmable Gain
 - a) Gain Range: from +24dB to -31dB (Setting of gain: Max, Min and Initial value)
 - b) Gain Step: 1dB/step (Fix)
5. PLL
 - a) 16.0MHz or 24.0MHz crystal generator with output buffer (Available for External Clock input)
 - b) Two PLLs
 - A/D_PLL: generate audio clock
 - System_PLL: generate USB system clock
6. Audio Synchronization Type
 - a) Synchronous Type
 - Isochronous transfer uses Synchronous type synchronization which is synchronous to SOF (start of frame) packets which are issued per 1ms.
7. USB Audio Format
 - a) Supports 7 Frequencies: 8kHz, 11.025kHz, 16kHz, 22.05kHz, 32kHz, 44.1kHz, 48kHz
 - b) Stereo/Mono 24bit/16bit/8bit LSB first
8. FIFO
 - a) Synchronization between A/D converter and USB bus
 - Memory Size 576 bytes: 24bit (3 bytes) x 48 samples x 2 channel x 2 frames
9. USB Serial Interface Engine
 - a) Process USB Standard Requests
10. Control block of Audio Device Class
 - a) Translate internal A/D format to USB audio class format
 - b) Process USB Audio Class Request
 - Mute
 - Gain/Attenuation
 - Sampling Frequency Control
11. USB transceiver
12. EEP-ROM I/F

SPI™ (4-wire) type EEP-ROM can be used to customize all USB descriptors and any functions.

 - 8K bits (AK6506C) or larger
13. USB Suspend/Resume Support
14. Stand-alone Mute
 - a) Zero Crossing detection mute or One Shot mute (not support HID function)

■ Clock Source

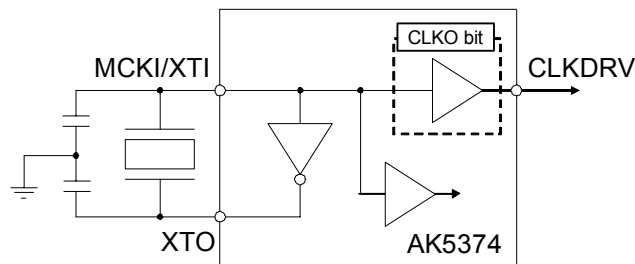
16MHz or 24 MHz crystal resonator can be used as the master clock. When the CKM pin is set to “H”, the AK5374 supports 24MHz, and supports 16MHz when the CKM pin is set to “L”. The AK5374 can drive the clock up to three external loads. The AK5374 generates 48MHz for system clock from 16MHz or 24MHz by system PLL circuit.

CKM pin	X'tal Frequency
L	16.0MHz
H	24.0MHz

Table 1. Reference X'tal frequency

The clock for the MCKI/XTI pin can be generated by the following methods:

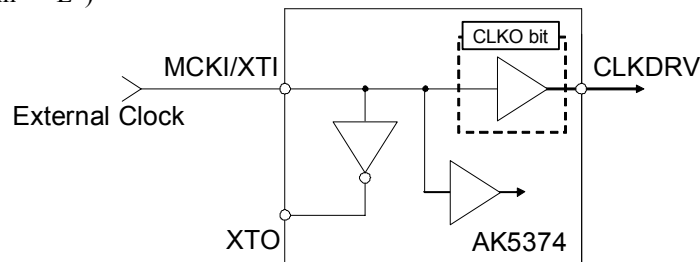
1) X'tal (XTE pin = “H”)



Note 17. External capacitance depends on the crystal oscillator (Max. 30pF)

Figure 10. X'tal Mode

2) External clock (XTE pin = “L”)



Note 18. Input clock must not exceed DVDD.

Figure 11. External clock mode

■ MIC Gain Amplifier

The AK5374 has a gain amplifier for microphone inputs. The gain of MIC-Amp is selected by the MGAIN2-0 bits (Table 2).

MGAIN2 bit	MGAIN1 bit	MGAIN0 bit	Input Gain
0	0	0	0dB
0	0	1	0dB
0	1	0	+6dB
0	1	1	+12dB
1	0	0	+18dB
1	0	1	+24dB
1	1	0	+30dB
1	1	1	+36dB

Table 2. Mic Input Gain (x: Don't care)

■ MIC Power

When PMMP bit = "1", the MPWR pin supplies power for the microphone. This output voltage is typically 2.2V and the output current is maximum 2.0mA. In case of using two sets of stereo full-differential microphones, the load resistance is minimum 1kΩ for each channel. Any capacitor must not be connected directly to the MPWR pin (Figure 12).

PMMP bit	MPWR pin
0	Hi-Z
1	Output

Table 3. MIC Power

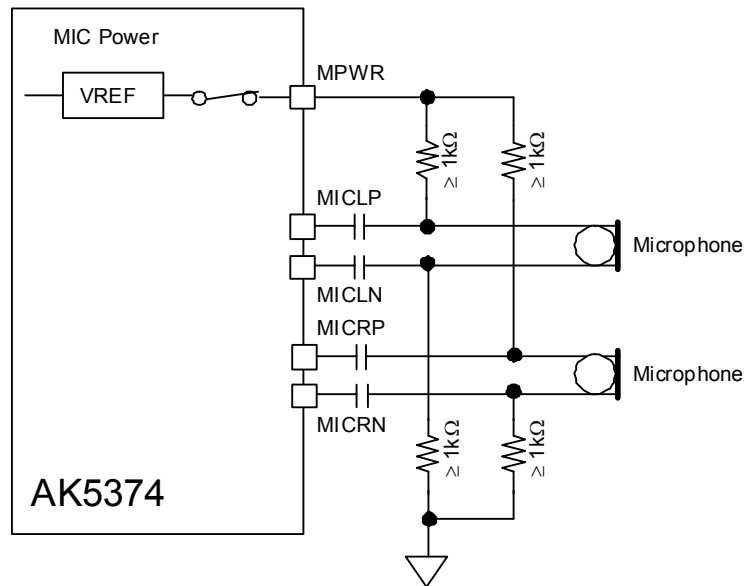


Figure 12. MIC Block Circuit

■ Digital High Pass Filter

The ADC has a digital high pass filter for DC offset cancellation. The cut-off frequency of the HPF is 0.93Hz at $f_s=48\text{kHz}$. The digital high pass filter cut-off frequency scales with the sampling rate (f_s). The HPF is always enabled.

■ Audio Data Format

The AK5374 supports 8bit, 16bit and 24bit audio data format and outputs LSB first to USB bus.

1) 8bit mono data format on the USB

Sample #	#1	#2	#3	...
	mono	mono	mono	...
	8 bit	8bit	8 bit	...
bit position	0-7	0-7	0-7	...

Table 4. Audio Data Format for 8bit mono

2) 16bit stereo data format on the USB

Sample #	#1				#2				...
	L-ch data		R-ch data		L-ch data		R-ch data		...
	Lower 8 bit	Upper 8 bit	Lower 8 bit	Upper 8 bit	Lower 8 bit	Upper 8 bit	Lower 8bit	Upper 8 bit	...
bit position	0-7	8-15	0-7	8-15	0-7	8-15	0-7	8-15	...

Table 5. Audio Data Format for 16bit stereo

3) 24bit stereo data format on the USB

Sample #	#1						#2						...
	L-ch data			R-ch data			L-ch data			R-ch data			...
	Lower 8 bit	Middle 8 bit	Upper 8 bit	Lower 8 bit	Middle 8 bit	Upper 8 bit	Lower 8 bit	Middle 8 bit	Upper 8 bit	Lower 8 bit	Middle 8 bit	Upper 8 bit	...
bit position	0-7	8-15	16-23	0-7	8-15	16-23	0-7	8-15	16-23	0-7	8-15	16-23	...

Table 6. Audio Data Format for 24bit stereo

■ Volume & Mute Control

The AK5374 has a digital volume control which ranges from +24dB to -31dB in 1dB step. The maximum volume, the minimum and default volumes are defined by EEPROM header setting.

When ZCE bit = “1” (Zero cross detection enable), L-channel and R-channel volumes are changed independently on zero cross or zero cross timeout. Zero cross timeout is set by ZTM1-0 bits (Table 7). When ZCE bit = “0” (zero cross detection disable), the volume is changed immediately. Mute operation and zero cross detection have the same relation as the volume mentioned in this section.

ZTM1 bit	ZTM0 bit	Zero Crossing Timeout Period			
			8kHz	16kHz	44.1kHz
0	0	128/fs	16ms	8ms	2.9ms
0	1	256/fs	32ms	16ms	5.8ms
1	0	512/fs	64ms	32ms	11.6ms
1	1	1024/fs	128ms	64ms	23.2ms

Table 7. Zero Crossing Timeout Period

The AK3573 has the LMUTEN and RMUTEN pins. and they can control mute operations from the device side. However, because the AK5374 does not have HID function, the mute operation by these pins cannot be acknowledged by the host. There are two modes for the mute operation by LMUTEN and RMUTEN pins; one is normal mute and the other is one-shot mute.

In normal mute operation (OSME bit = “0”), mute is executed on zero cross or zero cross timeout when the LMUTEN and RMUTEN pins = “L” if zero cross detection is enabled. When zero cross detection is disabled, it is executed immediately. In case that the LMUTEN and RMUTEN pins = “H”, mute is released on zero cross or zero cross timeout if the zero cross detection is enabled. When zero cross detection is disabled, it is released immediately.

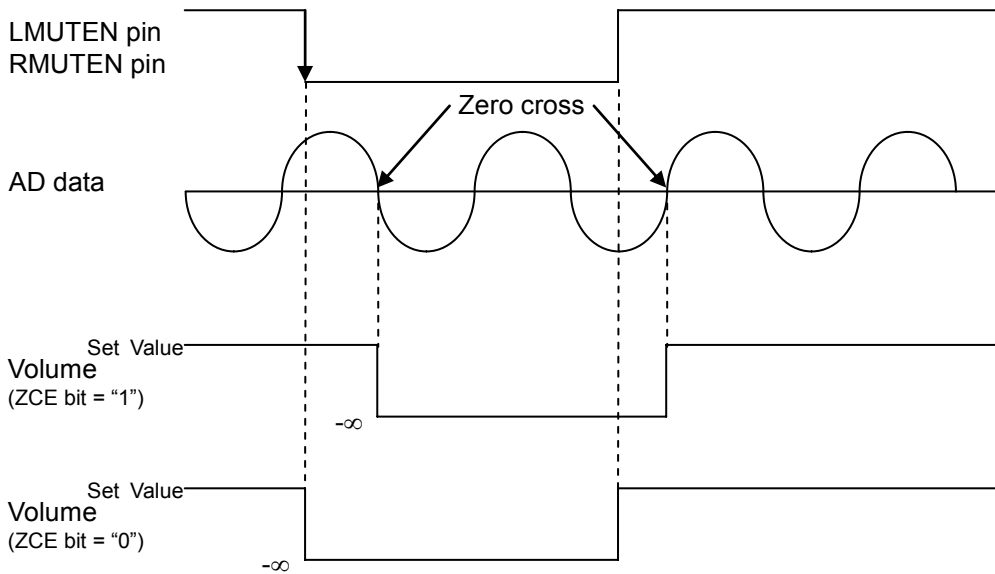


Figure 13. Normal Mute for LMUTEN, RMUTEN pins

In one-shot mute operation (OSME bit = "1"), mute is executed on zero cross or zero cross timeout after detecting a falling edge of the LMUTEN and RMUTEN pins. The AK5374 releases the mute on zero cross or zero cross timeout after mute hold period which is set by MHL7-0 bits.

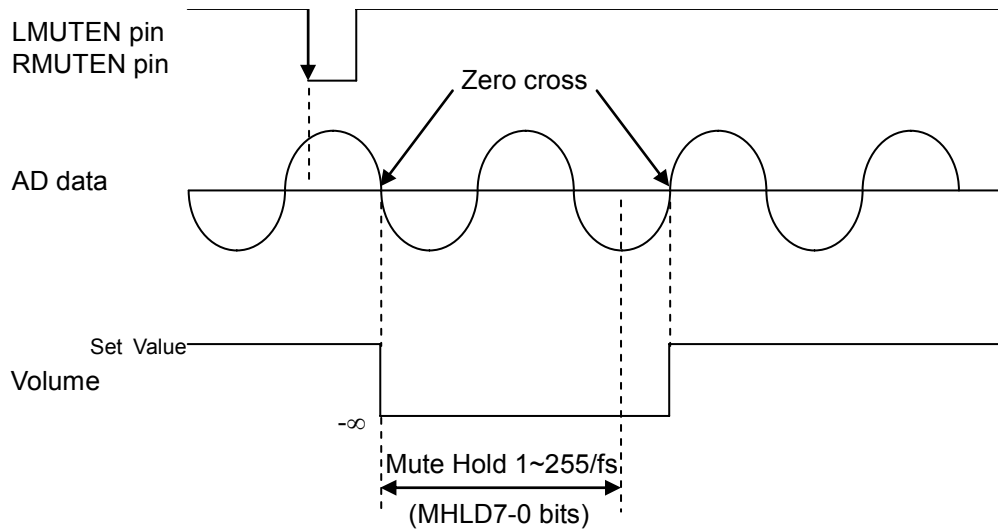


Figure 14. One Shot Mute for LMUTEN, RMUTEN pins

■ Power Management Control

USB specifies that the current at suspend mode must not exceed 500 μ A. When the USB host is in suspend mode, the SUSN pin also becomes to “L” in order to notify this mode to the external components like DSP's to observe USB specification.

■ Synchronization

The AK5374 supports synchronous type synchronization which is synchronous to SOF (start of frame) packets which are issued per 1ms.

■ Descriptor's Customization

USB audio class has very flexible, but complicated format. In order to keep both of the flexibility and simplicity to use, the AK5374 utilizes the precompiled control information in EEP-ROM instead of direct USB audio class decoding. Data in EEP-ROM is divided into two blocks; header information block and USB descriptor block. Header block size is fixed while USB descriptor block size is variable. Header information includes various control information such as audio format, the microphone's gain, power management information, and etc. When the device is powered up, at first the AK5374 reads the header block in EEP-ROM, and maps these values into the internal registers. Note that 8k bits or larger SPI type EEP-ROM is available.

The AK5374 does not store all of the descriptors into internal memory at the boot time. Instead, the AK5374 reads the descriptor from EEP-ROM and transmit it when it receives the “Get Descriptor” Request command. The AK5374 transmits NAK until it is ready to send data.

Header Information includes

- 1) Power Management Information
- 2) Microphone Gain
- 3) Mute Control Information
- 4) Descriptor related information
 - a) PCM format(stereo/mono, resolution) and the related alternate setting number
 - b) Endpoint number
 - c) Initial/Minimum/Maximum Volume

■ EEPROM Control Interface

Register information and descriptor information on EEPROM are read by SPI I/F (CSN, SK, EPAO and EPAI) pins. The data on the I/F consists of Instruction Byte, Address Byte (MSB first, 16bits) and Input Data Byte (MSB first, 8bits). The AK5374 outputs Instruction Byte and Address Byte on a falling edge of SK and down-loads address data from EPAI. The next address data is read by sending SK signal continuously. Data reading ends by a rising edge of CSN. SK clock speed is typically 1.5MHz. The AK5374 reads data from EEPROM according to a request signal from the USB host after releasing a reset.

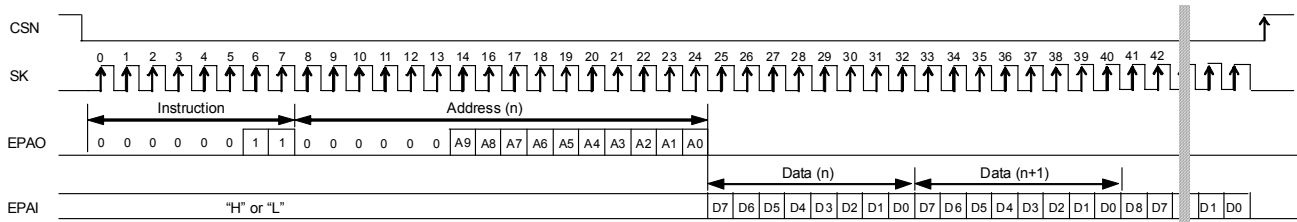


Figure 15. EEPROM I/F Read Sequence

■ EEPROM memory map

<Header Block> 32 Bytes (fixed)

Addr	Name	D7	D6	D5	D4	D3	D2	D1	D0
000H	Power Management	0	0	0	SELF	0	CLKO	PMADR	PMADL
001H	Microphone Gain Control	0	0	0	PMMP	0	MGAIN2	MGAIN1	MGAIN0
002H	Reserved	0	0	0	0	0	0	0	0
003H	PCM Format Alt 1	INTFQ12	INTFQ11	INTFQ10	MIX1	RES11	RES10	SIGNED1	STEREO1
004H	PCM Format Alt 2	INTFQ22	INTFQ21	INTFQ20	MIX2	RES21	RES20	SIGNED2	STEREO2
005H	PCM Format Alt 3	INTFQ32	INTFQ31	INTFQ30	MIX3	RES31	RES30	SIGNED3	STEREO3
006H	PCM Format Alt 4	INTFQ42	INTFQ41	INTFQ40	MIX4	RES41	RES40	SIGNED4	STEREO4
007H	PCM Format Alt 5	INTFQ52	INTFQ51	INTFQ50	MIX5	RES51	RES50	SIGNED5	STEREO5
008H	PCM Format Alt 6	INTFQ62	INTFQ61	INTFQ60	MIX6	RES61	RES60	SIGNED6	STEREO6
009H	PCM Format Alt 7	INTFQ72	INTFQ71	INTFQ70	MIX7	RES71	RES70	SIGNED7	STEREO7
00AH	Sampling Frequency Alt 1	VALID1	FS48K1	FS44K1	FS32K1	FS22K1	FS16K1	FS11K1	FS8K1
00BH	Sampling Frequency Alt 2	VALID2	FS48K2	FS44K2	FS32K2	FS22K2	FS16K2	FS11K2	FS8K2
00CH	Sampling Frequency Alt 3	VALID3	FS48K3	FS44K3	FS32K3	FS22K3	FS16K3	FS11K3	FS8K3
00DH	Sampling Frequency Alt 4	VALID4	FS48K4	FS44K4	FS32K4	FS22K4	FS16K4	FS11K4	FS8K4
00EH	Sampling Frequency Alt 5	VALID5	FS48K5	FS44K5	FS32K5	FS22K5	FS16K5	FS11K5	FS8K5
00FH	Sampling Frequency Alt 6	VALID6	FS48K6	FS44K6	FS32K6	FS22K6	FS16K6	FS11K6	FS8K6
010H	Sampling Frequency Alt 7	VALID7	FS48K7	FS44K7	FS32K7	FS22K7	FS16K7	FS11K7	FS8K7
011H	Endpoint Number	0	0	0	0	0	EPNO2	EPNO1	EPNO0
012H	Initial Volume	INTVOL7	INTVOL6	INTVOL5	INTVOL4	INTVOL3	INTVOL2	INTVOL1	INTVOL0
013H	Minimum Volume	MINVOL7	MINVOL6	MINVOL5	MINVOL4	MINVOL3	MINVOL2	MINVOL1	MINVOL0
014H	Maximum Volume	MAXVOL7	MAXVOL6	MAXVOL5	MAXVOL4	MAXVOL3	MAXVOL2	MAXVOL1	MAXVOL0
015H	Mute Control 1	0	0	0	0	OSME	ZCE	ZTM1	ZTM0
016H	Mute Control 2	MHT7	MHT6	MHT5	MHT4	MHT3	MHT2	MHT1	MHT0
017H	Reserved	0	0	0	0	0	0	0	0
018H	Reserved	0	0	0	0	0	0	0	0
019H	Reserved	0	0	0	0	0	0	0	0
01AH	Reserved	0	0	0	0	0	0	0	0
01BH	Reserved	0	0	0	0	0	0	0	0
01CH	Reserved	0	0	0	0	0	0	0	0
01DH	Reserved	0	0	0	0	0	0	0	0
01EH	Reserved	0	0	0	0	0	0	0	0
01FH	Reserved	0	0	0	0	0	0	0	0

<Descriptor Block>

Addr	Descriptor	Size
020H ~ 023H	Language ID String Descriptor	4 bytes
024H ~ 0A3H	iManufacturer String Descriptor	128 bytes (max)
0A4H ~ 123H	iProduct String Descriptor	128 bytes (max)
124H ~ 1A3H	iSerial Number String Descriptor	128 bytes (max)
1A4H ~ 1B5H	Device Descriptor	18 bytes
1B6H ~ 1BEH	Configuration Descriptor	9 bytes
1BFH ~ 1C7H	Standard Audio Control Interface Descriptor	9 bytes
1C8H ~ 1D0H	Class-specific Audio Control Interface Descriptor	9 bytes
1D1H ~ 1DCH	Input Terminal Descriptor	12 bytes
1DDH ~ 1E5H	Output Terminal Descriptor	9 bytes
1E6H ~	Feature Unit Descriptor	8 or 10 bytes
	Zero-bandwidth Alternate Setting 0 Standard AS Interface Descriptor	9 bytes
	Alternate Setting 1 Standard AS Interface Descriptor Class-specific AS General Interface Descriptor Type 1 Format Type Descriptor Standard Endpoint Descriptor Class-specific Isochronous Audio Data Endpoint Descriptor	9 bytes 6 bytes 11 ~ 29 bytes 9 bytes 7 bytes
	Alternate Setting 2 Standard AS Interface Descriptor Class-specific AS General Interface Descriptor Type 1 Format Type Descriptor Standard Endpoint Descriptor Class-specific Isochronous Audio Data Endpoint Descriptor	9 bytes 6 bytes 11 ~ 29 bytes 9 bytes 7 bytes
	Alternate Setting 3 Standard AS Interface Descriptor Class-specific AS General Interface Descriptor Type 1 Format Type Descriptor Standard Endpoint Descriptor Class-specific Isochronous Audio Data Endpoint Descriptor	9 bytes 6 bytes 11 ~ 29 bytes 9 bytes 7 bytes
	Alternate Setting 4 Standard AS Interface Descriptor Class-specific AS General Interface Descriptor Type 1 Format Type Descriptor Standard Endpoint Descriptor Class-specific Isochronous Audio Data Endpoint Descriptor	9 bytes 6 bytes 11 ~ 29 bytes 9 bytes 7 bytes
	Alternate Setting 5 Standard AS Interface Descriptor Class-specific AS General Interface Descriptor Type 1 Format Type Descriptor Standard Endpoint Descriptor Class-specific Isochronous Audio Data Endpoint Descriptor	9 bytes 6 bytes 11 ~ 29 bytes 9 bytes 7 bytes
	Alternate Setting 6 Standard AS Interface Descriptor Class-specific AS General Interface Descriptor Type 1 Format Type Descriptor Standard Endpoint Descriptor Class-specific Isochronous Audio Data Endpoint Descriptor	9 bytes 6 bytes 11 ~ 29 bytes 9 bytes 7 bytes
	Alternate Setting 7 Standard AS Interface Descriptor Class-specific AS General Interface Descriptor Type 1 Format Type Descriptor Standard Endpoint Descriptor Class-specific Isochronous Audio Data Endpoint Descriptor	9 bytes 6 bytes 11 ~ 29 bytes 9 bytes 7 bytes

Note 19. Read address after a reset release: 000H~016H, 024H, 0A4H, 124H, 1B8H~1B9H (Total 28bytes)

Note 20. The data address must be written slide forward if the number of bytes is less than the data size above in the address after 1E6H.

Note 21. The setting of 003H~011H and the setting after 1F9H must be matched.

Addr	Register Name	D7	D6	D5	D4	D3	D2	D1	D0
00H	Power Management	0	0	0	SELF	0	CLKO	PMADR	PMADL

PMADL: MIC-Amp Lch and ADC Lch Power Management

“0”: Power-up

“1”: Power-down

PMADR: MIC-Amp Rch and ADC Rch Power Management

“0”: Power-up

“1”: Power-down

CLKO: Master Clock Output Driver Power Management

“0”: Power-up

“1”: Power-down

SELF: Self Power Mode Enable

“0”: Bus Power Mode

“1”: Self Power Mode

Addr	Register Name	D7	D6	D5	D4	D3	D2	D1	D0
01H	Microphone Gain Control	0	0	0	PMMP	0	MGAIN2	MGAIN1	MGAIN0

MGAIN2-0: MIC-Amp Gain Control

“000”: 0dB

“001”: 0dB

“010”: +6dB

“011”: +12dB

“100”: +18dB

“101”: +24dB

“110”: +30dB

“111”: +36dB

PMMP: MPWR pin Power Management

“0”: Power-up

“1”: Power-down: Hi-z

Addr	Register Name	D7	D6	D5	D4	D3	D2	D1	D0
03H	PCM Format Alt 1	INTFQ12	INTFQ11	INTFQ10	MIX1	RES11	RES10	SIGNED1	STEREO1
04H	PCM Format Alt 2	INTFQ22	INTFQ21	INTFQ20	MIX2	RES21	RES20	SIGNED2	STEREO2
05H	PCM Format Alt 3	INTFQ32	INTFQ31	INTFQ30	MIX3	RES31	RES30	SIGNED3	STEREO3
06H	PCM Format Alt 4	INTFQ42	INTFQ41	INTFQ40	MIX4	RES41	RES40	SIGNED4	STEREO4
07H	PCM Format Alt 5	INTFQ52	INTFQ51	INTFQ50	MIX5	RES51	RES50	SIGNED5	STEREO5
08H	PCM Format Alt 6	INTFQ62	INTFQ61	INTFQ60	MIX6	RES61	RES60	SIGNED6	STEREO6
09H	PCM Format Alt 7	INTFQ72	INTFQ71	INTFQ70	MIX7	RES71	RES70	SIGNED7	STEREO7

STEREO: Mono/Stereo Mode Select

“0”: Mono

“1”: Stereo

SIGNED: Unsigned/Signed Mode Select

“0”: Unsigned (“0” is valid only when the resolution is 8 bit)

“1”: Signed

RES1-0: ADC Resolution Mode Select

“00”: 8bit

“01”: 16bit

“10”: 24bit

MIX: ADC Data Mix Control

“0”: Lch and Rch are not mixed.

“1”: Lch and Rch are mixed. Dynamic range and S/N can be improved by approximately 3dB when the same analog signal is inputted to left and right channels.

INTFQ2-0: Initial Sampling Frequency

“000”: 8kHz, “001”: 11.025kHz

“010”: 16kHz, “011”: 22.05kHz

“100”: 32kHz, “101”: 44.1kHz

“110”: 48kHz

Addr	Register Name	D7	D6	D5	D4	D3	D2	D1	D0
0AH	Sampling Frequency Alt 1	VALID1	FS48K1	FS44K1	FS32K1	FS22K1	FS16K1	FS11K1	FS8K1
0BH	Sampling Frequency Alt 2	VALID2	FS48K2	FS44K2	FS32K2	FS22K2	FS16K2	FS11K2	FS8K2
0CH	Sampling Frequency Alt 3	VALID3	FS48K3	FS44K3	FS32K3	FS22K3	FS16K3	FS11K3	FS8K3
0DH	Sampling Frequency Alt 4	VALID4	FS48K4	FS44K4	FS32K4	FS22K4	FS16K4	FS11K4	FS8K4
0EH	Sampling Frequency Alt 5	VALID5	FS48K5	FS44K5	FS32K5	FS22K5	FS16K5	FS11K5	FS8K5
0FH	Sampling Frequency Alt 6	VALID6	FS48K6	FS44K6	FS32K6	FS22K6	FS16K6	FS11K6	FS8K6
10H	Sampling Frequency Alt 7	VALID7	FS48K7	FS44K7	FS32K7	FS22K7	FS16K7	FS11K7	FS8K7

FS8K: Sampling Frequency 8kHz Enable

“0”: Disable

“1”: Enable

FS11K: Sampling Frequency 11.025kHz Enable

“0”: Disable

“1”: Enable

FS16K: Sampling Frequency 16kHz Enable

“0”: Disable

“1”: Enable

FS22K: Sampling Frequency 22.05kHz Enable

“0”: Disable

“1”: Enable

FS32K: Sampling Frequency 32kHz Enable

“0”: Disable

“1”: Enable

FS44K: Sampling Frequency 44.1kHz Enable

“0”: Disable

“1”: Enable

FS48K: Sampling Frequency 48kHz Enable

“0”: Disable

“1”: Enable

VALID: Alternate Setting Enable

“0”: Disable

“1”: Enable

Addr	Register Name	D7	D6	D5	D4	D3	D2	D1	D0
11H	Endpoint Number	0	0	0	0	0	EPNO2	EPNO1	EPNO0

EPNO2-0: Endpoint Number (1~7)

Addr	Register Name	D7	D6	D5	D4	D3	D2	D1	D0
12H	Initial Volume	INTVOL7	INTVOL6	INTVOL5	INTVOL4	INTVOL3	INTVOL2	INTVOL1	INTVOL0
13H	Minimum Volume	MINVOL7	MINVOL6	MINVOL5	MINVOL4	MINVOL3	MINVOL2	MINVOL1	MINVOL0
14H	Maximum Volume	MAXVOL7	MAXVOL6	MAXVOL5	MAXVOL4	MAXVOL3	MAXVOL2	MAXVOL1	MAXVOL0

INTVOL7-0: The Value which the AK5374 returns when the host requests the current volume at first time. (Table 8)

MINVOL7-0: The Value which the AK5374 returns when the host requests the maximum volume. (Table 8)

MAXVOL7-0: The Value which the AK5374 returns when the host requests the minimum volume. (Table 8)

Addr	Register Name	D7	D6	D5	D4	D3	D2	D1	D0
15H	Mute Control 1	0	0	0	0	OSME	ZCE	ZTM1	ZTM0
16H	Mute Control 2	MHT7	MHT6	MHT5	MHT4	MHT3	MHT2	MHT1	MHT0

ZTM1-0: Zero-crossing timeout period select

- “00”: 128/fs
- “01”: 256/fs
- “10”: 512/fs
- “11”: 1024/fs

ZCE: ADC Digital Volume Zero-crossing enable

- “0”: Digital Volume changes occur immediately.
- “1”: Digital Volume changes occur only on zero-crossing or after timeout.

OSME: One Shot Mute Enable for LMUTEN, RMUTEN pins

- “0”: Disable
- “1”: Enable

MHT7-0: One Shot Mute Hold Time

- 00H: N/A
- 01H: 1/fs
- FFH: 255/fs

■ Descriptor Overview

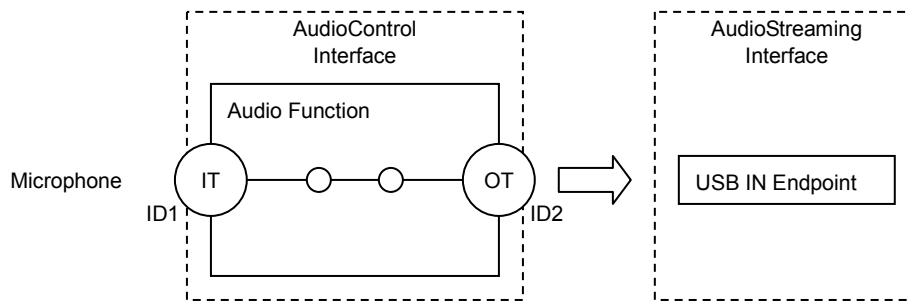


Figure 16. AK5374 Topology

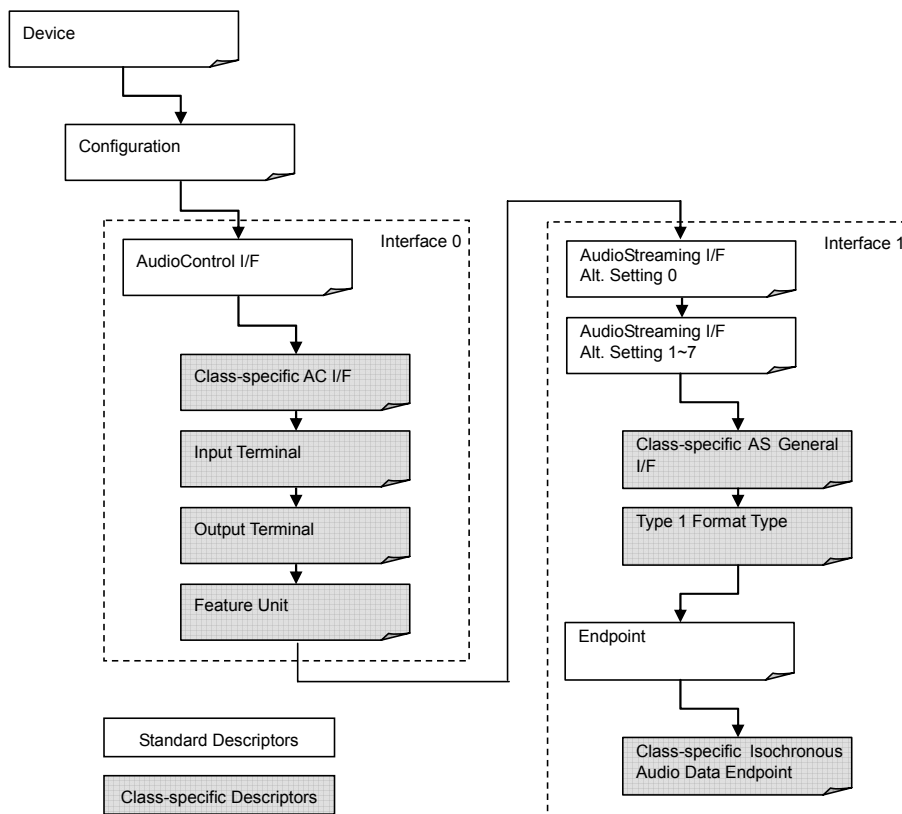


Figure 17. Descriptor Hierarchy

■ Descriptors Specification (for example)

□ Customizable Block

All Descriptor contents are stored in EEPROM and customizable with some restrictions.

- a) Device Descriptor, String Descriptor
 - Maximum Packet Size
 - idVendor
 - idProduct
 - Manufacturer Name (max. 126bytes)
 - Product Name (max. 126bytes)
 - Serial Number (max. 126bytes)
 - Language ID
- b) Configuration Descriptor
 - Power Consumption
- c) Feature Unit Descriptor: <Active> or <Bypass>
 - If Feature Unit is not defined in the descriptor, the volume is fixed to the initial value which is described in the EEPROM header block
- d) PCM format (Note that the AK5374 supports 7 sample rates even when only 1 sample rate is specified in the descriptor.)
- e) Endpoint Number
- f) Maximum Value of Digital Gain
- g) Minimum Value of Digital Gain
- h) Initial Value of Digital Gain

□ Uncustomizable Block

- a) Configuration Number (1)
- b) Interface Number (1)
- c) Input Terminal ID (1)
- d) Output Terminal ID (2)
- e) Feature Unit ID (3)
- f) Synchronization way (support Synchronous Type)
- g) Maximum Alternate Setting number (7)
- h) Endpoint Number (1-7)

1. Device descriptor

Offset	Field	Size	Value	Description
0	bLength	1	0x12	Size of this descriptor in bytes
1	bDescriptorType	1	0x01	DEVICE descriptor
2	bcdUSB	2	0x0200	2.0 – USB Specification Release Number in Binary-Coded Decimal.
4	bDeviceClass	1	0x00	Device defined at Interface level
5	bDeviceSubClass	1	0x00	Not used. Must be set to 0.
6	bDeviceProtocol	1	0x00	Not used. Must be set to 0.
7	bMaxPacketSize0	1	0x08	8 bytes – Maximum packet size for endpoint zero
8	idVendor	2	0x0556	AKM – Vendor ID (assigned by the USB-IF)
10	idProduct	2	0x0007	AK5374 – Product ID (assigned by the manufacturer)
12	bcdDevice	2	0x0100	1.00 – Device release number in binary-coded decimal
14	iManufacturer	1	0x01	Index of string descriptor describing manufacturer
15	iProduct	1	0x02	Index of string descriptor describing product
16	iSerialNumber	1	0x03	Index of string descriptor describing the device's serial number
17	bNumConfigurations	1	0x01	One configuration

2. Configuration Descriptor

Offset	Field	Size	Value	Description
0	bLength	1	0x09	Size of this descriptor in bytes
1	bDescriptorType	1	0x02	CONFIGURATION descriptor
2	wTotalLength	2	0x01AF	Total length of data returned for this configuration. Includes the combined length of all descriptors returned for this configuration.
4	bNumInterfaces	1	0x02	Two interfaces (Audio Control Interface and Audio Streaming Interface)
5	bConfigurationValue	1	0x01	Index of this configuration
6	iConfiguration	1	0x00	Null string
7	bmAttributes	1	0x80	Bus Powered Device
8	MaxPower	1	0x32	Power consumption: 100mA

3. Audio Control Interface Descriptor

3.1 Standard Audio Control Interface descriptor

Offset	Field	Size	Value	Description
0	bLength	1	0x09	Size of this descriptor in bytes
1	bDescriptorType	1	0x04	INTERFACE descriptor
2	bInterfaceNumber	1	0x00	Index of this interface
3	bAlternateSetting	1	0x00	Index of this setting
4	bNumEndpoints	1	0x00	Endpoint 0
5	bInterfaceClass	1	0x01	AUDIO
6	bInterfaceSubclass	1	0x01	AUDIO_CONTROL
7	bInterfaceProtocol	1	0x00	Not used. Must be set to 0.
8	iInterface	1	0x00	Null string

3.2 Class-specific Audio Control Interface Descriptor

Offset	Field	Size	Value	Description
0	bLength	1	0x09	Size of this descriptor in bytes
1	bDescriptorType	1	0x24	CS_INTERFACE
2	bDescriptorSubtype	1	0x01	HEADER subtype
3	bcdADC	2	0x0100	1.0 – Audio Device Class specification release number in Binary-Coded Decimal.
5	wTotalLength	2	0x0028	Total size of class-specific Audio Control Interface descriptors (includes this descriptor)
7	bInCollection	1	0x01	Number of streaming interfaces
8	bInterfaceNr(1)	1	0x01	Streaming interface number 1 belongs to this audio control interface.

3.3 Input Terminal Descriptor

Offset	Field	Size	Value	Description
0	bLength	1	0x0C	Size of this descriptor in bytes
1	bDescriptorType	1	0x24	CS_INTERFACE
2	bDescriptorSubtype	1	0x02	INPUT_TERMINAL subtype
3	bTerminalID	1	0x01	ID of this terminal
4	wTerminalType	2	0x0201	Terminal is Microphone
6	bAssocTerminal	1	0x02	ID of associated Output Terminal is 0x02
7	bNrChannels	1	0x02	Two channels (Stereo)
8	wChannelConfig	2	0x0003	Left/Right Front
10	iChannelNames	1	0x00	Not used. Must be set to 0.
11	iTerminal	1	0x00	Not used. Must be set to 0.

3.4 Output Terminal Descriptor

Offset	Field	Size	Value	Description
0	bLength	1	0x09	Size of this descriptor in bytes
1	bDescriptorType	1	0x24	CS_INTERFACE
2	bDescriptorSubtype	1	0x03	OUTPUT_TERMINAL subtype
3	bTerminalID	1	0x02	ID of this terminal
4	wTerminalType	2	0x0101	USB Streamer
6	bAssocTerminal	1	0x01	ID of associate Input Terminal is 0x01
7	bSourceID	1	0x03	From Feature Unit
8	iTerminal	1	0x00	Not used. Must be set to 0.

3.5 Feature Unit Descriptor

Offset	Field	Size	Value	Description
0	bLength	1	0x0A	Size of this descriptor in bytes
1	bDescriptorType	1	0x24	CS_INTERFACE
2	bDescriptorSubtype	1	0x06	FEATURE_UNIT descriptor subtype
3	bUnitID	1	0x03	ID of this feature Unit
4	bSourceID	1	0x01	ID to Terminal to which this is connected.
5	bControlSize	1	0x01	Size in bytes of an element of the bmaControl()
6	bmaControls(0)	1	0x01	D0(Mute) is enable for ch 0
7	bmaControls(1)	1	0x02	D1(Volume) is enable for ch 1 (Left)
8	bmaControls(2)	1	0x02	D1(Volume) is enable for ch 2 (Right)
9	iFeature	1	0x00	Not used. Must be set to 0.

4. Audio Streaming Interface Descriptor

4.1 Zero-bandwidth Alternate Setting

4.1.1 Standard Audio Streaming Interface Descriptor (Alt = 0)

Offset	Field	Size	Value	Description
0	bLength	1	0x09	Size of this descriptor in bytes
1	bDescriptorType	1	0x04	INTERFACE descriptor
2	bInterfaceNumber	1	0x01	Index of this interface
3	bAlternateSetting	1	0x00	Index of this setting
4	bNumEndpoints	1	0x00	Endpoints 0
5	bInterfaceClass	1	0x01	AUDIO
6	bInterfaceSubclass	1	0x02	AUDIO_STREAMING
7	bInterfaceProtocol	1	0x00	Not used. Must be set to 0.
8	iInterface	1	0x00	Null string

4.2 Operational Alternate Setting 1

4.2.1 Standard Audio Streaming Interface Descriptor (Alt = 1: Mono, 8bit, 8k/16k)

Offset	Field	Size	Value	Description
0	bLength	1	0x09	Size of this descriptor in bytes
1	bDescriptorType	1	0x04	INTERFACE descriptor
2	bInterfaceNumber	1	0x01	Index of this interface
3	bAlternateSetting	1	0x01	Index of this setting
4	bNumEndpoints	1	0x01	Endpoint 1
5	bInterfaceClass	1	0x01	AUDIO
6	bInterfaceSubclass	1	0x02	AUDIO_STREAMING
7	bInterfaceProtocol	1	0x00	Not used. Must be set to 0.
8	iInterface	1	0x00	Null string

4.2.2 Class-specific Audio General Interface Descriptor

Offset	Field	Size	Value	Description
0	bLength	1	0x07	Size of this descriptor in bytes
1	bDescriptorType	1	0x24	CS_INTERFACE descriptor
2	bDescriptorSubtype	1	0x01	AS_GENERAL
3	bTerminalLink	1	0x02	Unit ID of terminal (Output Terminal ID)
4	bDelay	1	0x01	Interface delay
5	wFormatTag	2	0x0002	PCM8

4.2.3 Type I Format Type Descriptor

Offset	Field	Size	Value	Description
0	bLength	1	0x0E	Size of this descriptor in bytes
1	bDescriptorType	1	0x24	CS_INTERFACE
2	bDescriptorSubtype	1	0x02	FORMAT_TYPE
3	bFormatType	1	0x01	FORMAT_TYPE_I
4	bNrChannels	1	0x01	One channel
5	bSubFrameSize	1	0x01	One byte per slot
6	bBitResolution	1	0x08	8 bits
7	bSamFreqType	1	0x02	Two frequencies
8	tSamFreq[0]	3	0x001F40	8000Hz
11	tSamFreq[1]	3	0x003E80	16000Hz

4.2.4 Standard Endpoint Descriptor

Offset	Field	Size	Value	Description
0	bLength	1	0x09	Size of this descriptor in bytes
1	bDescriptorType	1	0x05	ENDPOINT descriptor
2	bEndpointAddress	1	0x81	Endpoint 1, IN direction
3	bmAttributes	1	0x0D	Isochronous, synchronous, not shared
4	wMaxPacketSize	2	0x0010	1byte*16sample*1ch=16 byte/frame
6	bInterval	1	0x01	One packet every frame (Must be set to 1)
7	bRefresh	1	0x00	
8	bSynchAddress	1	0x00	

4.2.5 Class-specific Isochronous Audio Data Endpoint Descriptor

Offset	Field	Size	Value	Description
0	bLength	1	0x07	Size of this descriptor in bytes
1	bDescriptorType	1	0x25	CS_ENDPOINT
2	bDescriptorSubtype	1	0x01	GENERAL
3	bmAttributes	1	0x01	Sample rate control
4	bLockDelayUnits	1	0x00	Unused
5	wLockDelay	2	0x0000	

4.3 Operational Alternate Setting 2

4.3.1 Standard Audio Streaming Interface Descriptor (Alt = 2: Mono, 16bit, 48k)

Offset	Field	Size	Value	Description
0	bLength	1	0x09	Size of this descriptor in bytes
1	bDescriptorType	1	0x04	INTERFACE descriptor
2	bInterfaceNumber	1	0x01	Index of this interface
3	bAlternateSetting	1	0x02	Index of this setting
4	bNumEndpoints	1	0x01	Endpoint 1
5	bInterfaceClass	1	0x01	AUDIO
6	bInterfaceSubclass	1	0x02	AUDIO_STREAMING
7	bInterfaceProtocol	1	0x00	Not used. Must be set to 0.
8	iInterface	1	0x00	Null string

4.3.2 Class-specific Audio General Interface Descriptor

Offset	Field	Size	Value	Description
0	bLength	1	0x07	Size of this descriptor in bytes
1	bDescriptorType	1	0x24	CS_INTERFACE descriptor
2	bDescriptorSubtype	1	0x01	AS_GENERAL
3	bTerminalLink	1	0x02	Unit ID of terminal (Output Terminal ID)
4	bDelay	1	0x01	Interface delay
5	wFormatTag	2	0x0001	PCM

4.3.3 Type I Format Type Descriptor

Offset	Field	Size	Value	Description
0	bLength	1	0x0B	Size of this descriptor in bytes
1	bDescriptorType	1	0x24	CS_INTERFACE
2	bDescriptorSubtype	1	0x02	FORMAT_TYPE
3	bFormatType	1	0x01	FORMAT_TYPE_I
4	bNrChannels	1	0x01	One channel
5	bSubFrameSize	1	0x02	Two bytes per slot
6	bBitResolution	1	0x10	16 bits
7	bSamFreqType	1	0x01	One frequency
8	tSamFreq[0]	3	0x00BB80	48000Hz

4.3.4 Standard Endpoint Descriptor

Offset	Field	Size	Value	Description
0	bLength	1	0x09	Size of this descriptor in bytes
1	bDescriptorType	1	0x05	ENDPOINT descriptor
2	bEndpointAddress	1	0x81	Endpoint 1, IN direction
3	bmAttributes	1	0x0D	Isochronous, synchronous, not shared
4	wMaxPacketSize	2	0x0060	2byte*48sample*1ch=96 byte/frame
6	bInterval	1	0x01	One packet every frame (Must be set to 1)
7	bRefresh	1	0x00	
8	bSynchAddress	1	0x00	

4.3.5 Class-specific Isochronous Audio Data Endpoint Descriptor

Offset	Field	Size	Value	Description
0	bLength	1	0x07	Size of this descriptor in bytes
1	bDescriptorType	1	0x25	CS_ENDPOINT
2	bDescriptorSubtype	1	0x01	GENERAL
3	bmAttributes	1	0x00	
4	bLockDelayUnits	1	0x00	Unused
5	wLockDelay	2	0x0000	

4.4 Operational Alternate Setting 3

4.4.1 Standard Audio Streaming Interface Descriptor (Alt = 3: Mono, 24bit, 32k/44.1k/48k)

Offset	Field	Size	Value	Description
0	bLength	1	0x09	Size of this descriptor in bytes
1	bDescriptorType	1	0x04	INTERFACE descriptor
2	bInterfaceNumber	1	0x01	Index of this interface
3	bAlternateSetting	1	0x03	Index of this setting
4	bNumEndpoints	1	0x01	Endpoint 1
5	bInterfaceClass	1	0x01	AUDIO
6	bInterfaceSubclass	1	0x02	AUDIO_STREAMING
7	bInterfaceProtocol	1	0x00	Not used. Must be set to 0.
8	iInterface	1	0x00	Null string

4.4.2 Class-specific Audio General Interface Descriptor

Offset	Field	Size	Value	Description
0	bLength	1	0x07	Size of this descriptor in bytes
1	bDescriptorType	1	0x24	CS_INTERFACE descriptor
2	bDescriptorSubtype	1	0x01	AS_GENERAL
3	bTerminalLink	1	0x02	Unit ID of terminal (Output Terminal ID)
4	bDelay	1	0x01	Interface delay
5	wFormatTag	2	0x0001	PCM

4.4.3 Type I Format Type Descriptor

Offset	Field	Size	Value	Description
0	bLength	1	0x11	Size of this descriptor in bytes
1	bDescriptorType	1	0x24	CS_INTERFACE
2	bDescriptorSubtype	1	0x02	FORMAT_TYPE
3	bFormatType	1	0x01	FORMAT_TYPE_I
4	bNrChannels	1	0x01	One channel
5	bSubFrameSize	1	0x03	Three bytes per slot
6	bBitResolution	1	0x18	24 bits
7	bSamFreqType	1	0x03	Three frequencies
8	tSamFreq[0]	3	0x007D00	32000Hz
11	tSamFreq[1]	3	0x00AC44	44100Hz
14	tSamFreq[2]	3	0x00BB80	48000Hz

4.4.4 Standard Endpoint Descriptor

Offset	Field	Size	Value	Description
0	bLength	1	0x09	Size of this descriptor in bytes
1	bDescriptorType	1	0x05	ENDPOINT descriptor
2	bEndpointAddress	1	0x81	Endpoint 1, IN direction
3	bmAttributes	1	0x0D	Isochronous, synchronous, not shared
4	wMaxPacketSize	2	0x0090	3byte*48sample*1ch=144 byte/frame
6	bInterval	1	0x01	One packet every frame (Must be set to 1)
7	bRefresh	1	0x00	
8	bSynchAddress	1	0x00	

4.4.5 Class-specific Isochronous Audio Data Endpoint Descriptor

Offset	Field	Size	Value	Description
0	bLength	1	0x07	Size of this descriptor in bytes
1	bDescriptorType	1	0x25	CS_ENDPOINT
2	bDescriptorSubtype	1	0x01	GENERAL
3	bmAttributes	1	0x01	Sample rate control
4	bLockDelayUnits	1	0x00	Unused
5	wLockDelay	2	0x0000	

4.5 Operational Alternate Setting 4

4.5.1 Standard Audio Streaming Interface Descriptor (Alt = 4: St, 8bit, 8k/11.025k/16k/22.05k)

Offset	Field	Size	Value	Description
0	bLength	1	0x09	Size of this descriptor in bytes
1	bDescriptorType	1	0x04	INTERFACE descriptor
2	bInterfaceNumber	1	0x01	Index of this interface
3	bAlternateSetting	1	0x04	Index of this setting
4	bNumEndpoints	1	0x01	Endpoint 1
5	bInterfaceClass	1	0x01	AUDIO
6	bInterfaceSubclass	1	0x02	AUDIO_STREAMING
7	bInterfaceProtocol	1	0x00	Not used. Must be set to 0.
8	iInterface	1	0x00	Null string

4.5.2 Class-specific Audio General Interface Descriptor

Offset	Field	Size	Value	Description
0	bLength	1	0x07	Size of this descriptor in bytes
1	bDescriptorType	1	0x24	CS_INTERFACE descriptor
2	bDescriptorSubtype	1	0x01	AS_GENERAL
3	bTerminalLink	1	0x02	Unit ID of terminal (Output Terminal ID)
4	bDelay	1	0x01	Interface delay
5	wFormatTag	2	0x0002	PCM8

4.5.3 Type I Format Type Descriptor

Offset	Field	Size	Value	Description
0	bLength	1	0x14	Size of this descriptor in bytes
1	bDescriptorType	1	0x24	CS_INTERFACE
2	bDescriptorSubtype	1	0x02	FORMAT_TYPE
3	bFormatType	1	0x01	FORMAT_TYPE_I
4	bNrChannels	1	0x02	Two channels
5	bSubFrameSize	1	0x01	One byte per slot
6	bBitResolution	1	0x08	8 bits
7	bSamFreqType	1	0x04	Four frequencies
8	tSamFreq[0]	3	0x001F40	8000Hz
11	tSamFreq[1]	3	0x002B11	11025Hz
14	tSamFreq[2]	3	0x003E80	16000Hz
17	tSamFreq[3]	3	0x005622	22050Hz

4.5.4 Standard Endpoint Descriptor

Offset	Field	Size	Value	Description
0	bLength	1	0x09	Size of this descriptor in bytes
1	bDescriptorType	1	0x05	ENDPOINT descriptor
2	bEndpointAddress	1	0x81	Endpoint 1, IN direction
3	bmAttributes	1	0x0D	Isochronous, synchronous, not shared
4	wMaxPacketSize	2	0x002E	1byte*23sample*2ch=46 byte/frame
6	bInterval	1	0x01	One packet every frame (Must be set to 1)
7	bRefresh	1	0x00	
8	bSynchAddress	1	0x00	

4.5.5 Class-specific Isochronous Audio Data Endpoint Descriptor

Offset	Field	Size	Value	Description
0	bLength	1	0x07	Size of this descriptor in bytes
1	bDescriptorType	1	0x25	CS_ENDPOINT
2	bDescriptorSubtype	1	0x01	GENERAL
3	bmAttributes	1	0x01	Sample rate control
4	bLockDelayUnits	1	0x00	Unused
5	wLockDelay	2	0x0000	

4.6 Operational Alternate Setting 5

4.6.1 Standard Audio Streaming Interface Descriptor (Alt = 5: St, 16bit, 8k/16k/32k/44.1k/48k)

Offset	Field	Size	Value	Description
0	bLength	1	0x09	Size of this descriptor in bytes
1	bDescriptorType	1	0x04	INTERFACE descriptor
2	bInterfaceNumber	1	0x01	Index of this interface
3	bAlternateSetting	1	0x05	Index of this setting
4	bNumEndpoints	1	0x01	Endpoint 1
5	bInterfaceClass	1	0x01	AUDIO
6	bInterfaceSubclass	1	0x02	AUDIO_STREAMING
7	bInterfaceProtocol	1	0x00	Not used. Must be set to 0.
8	iInterface	1	0x00	Null string

4.6.2 Class-specific Audio General Interface Descriptor

Offset	Field	Size	Value	Description
0	bLength	1	0x07	Size of this descriptor in bytes
1	bDescriptorType	1	0x24	CS_INTERFACE descriptor
2	bDescriptorSubtype	1	0x01	AS_GENERAL
3	bTerminalLink	1	0x02	Unit ID of terminal (Output Terminal ID)
4	bDelay	1	0x01	Interface delay
5	wFormatTag	2	0x0001	PCM

4.6.3 Type I Format Type Descriptor

Offset	Field	Size	Value	Description
0	bLength	1	0x17	Size of this descriptor in bytes
1	bDescriptorType	1	0x24	CS_INTERFACE
2	bDescriptorSubtype	1	0x02	FORMAT_TYPE
3	bFormatType	1	0x01	FORMAT_TYPE_I
4	bNrChannels	1	0x02	Two channel
5	bSubFrameSize	1	0x02	Two bytes per slot
6	bBitResolution	1	0x10	16 bits
7	bSamFreqType	1	0x05	Five frequencies
8	tSamFreq[0]	3	0x001F40	8000Hz
11	tSamFreq[1]	3	0x003E80	16000Hz
14	tSamFreq[2]	3	0x007D00	32000Hz
17	tSamFreq[3]	3	0x00AC44	44100Hz
20	tSamFreq[4]	3	0x00BB80	48000Hz

4.6.4 Standard Endpoint Descriptor

Offset	Field	Size	Value	Description
0	bLength	1	0x09	Size of this descriptor in bytes
1	bDescriptorType	1	0x05	ENDPOINT descriptor
2	bEndpointAddress	1	0x81	Endpoint 1, IN direction
3	bmAttributes	1	0x0D	Isochronous, synchronous, not shared
4	wMaxPacketSize	2	0x00C0	2byte*48sample*2ch=192 byte/frame
6	bInterval	1	0x01	One packet every frame (Must be set to 1)
7	bRefresh	1	0x00	
8	bSynchAddress	1	0x00	

4.6.5 Class-specific Isochronous Audio Data Endpoint Descriptor

Offset	Field	Size	Value	Description
0	bLength	1	0x07	Size of this descriptor in bytes
1	bDescriptorType	1	0x25	CS_ENDPOINT
2	bDescriptorSubtype	1	0x01	GENERAL
3	bmAttributes	1	0x01	Sample rate control
4	bLockDelayUnits	1	0x00	Unused
5	wLockDelay	2	0x0000	

4.7 Operational Alternate Setting 6

4.7.1 Standard Audio Streaming Interface Descriptor

(Alt = 6: St, 16bit, 8k/11.025k/16k/22.05k /32k/44.1k)

Offset	Field	Size	Value	Description
0	bLength	1	0x09	Size of this descriptor in bytes
1	bDescriptorType	1	0x04	INTERFACE descriptor
2	bInterfaceNumber	1	0x01	Index of this interface
3	bAlternateSetting	1	0x06	Index of this setting
4	bNumEndpoints	1	0x01	Endpoint 1
5	bInterfaceClass	1	0x01	AUDIO
6	bInterfaceSubclass	1	0x02	AUDIO_STREAMING
7	bInterfaceProtocol	1	0x00	Not used. Must be set to 0.
8	iInterface	1	0x00	Null string

4.7.2 Class-specific Audio General Interface Descriptor

Offset	Field	Size	Value	Description
0	bLength	1	0x07	Size of this descriptor in bytes
1	bDescriptorType	1	0x24	CS_INTERFACE descriptor
2	bDescriptorSubtype	1	0x01	AS_GENERAL
3	bTerminalLink	1	0x02	Unit ID of terminal (Output Terminal ID)
4	bDelay	1	0x01	Interface delay
5	wFormatTag	2	0x0001	PCM

4.7.3 Type I Format Type Descriptor

Offset	Field	Size	Value	Description
0	bLength	1	0x1A	Size of this descriptor in bytes
1	bDescriptorType	1	0x24	CS_INTERFACE
2	bDescriptorSubtype	1	0x02	FORMAT_TYPE
3	bFormatType	1	0x01	FORMAT_TYPE_I
4	bNrChannels	1	0x02	Two channels
5	bSubFrameSize	1	0x02	Two bytes per slot
6	bBitResolution	1	0x10	16 bits
7	bSamFreqType	1	0x06	Six frequencies
8	tSamFreq[0]	3	0x001F40	8000Hz
11	tSamFreq[1]	3	0x002B11	11025Hz
14	tSamFreq[2]	3	0x003E80	16000kHz
17	tSamFreq[3]	3	0x005622	22050Hz
20	tSamFreq[4]	3	0x007D00	32000Hz
23	tSamFreq[5]	3	0x00AC44	44100Hz

4.7.4 Standard Endpoint Descriptor

Offset	Field	Size	Value	Description
0	bLength	1	0x09	Size of this descriptor in bytes
1	bDescriptorType	1	0x05	ENDPOINT descriptor
2	bEndpointAddress	1	0x81	Endpoint 1, IN direction
3	bmAttributes	1	0x0D	Isochronous, synchronous, not shared
4	wMaxPacketSize	2	0x00B4	2byte*45sample*2ch=180 byte/frame
6	bInterval	1	0x01	One packet every frame (Must be set to 1)
7	bRefresh	1	0x00	
8	bSynchAddress	1	0x00	

4.7.5 Class-specific Isochronous Audio Data Endpoint Descriptor

Offset	Field	Size	Value	Description
0	bLength	1	0x07	Size of this descriptor in bytes
1	bDescriptorType	1	0x25	CS_ENDPOINT
2	bDescriptorSubtype	1	0x01	GENERAL
3	bmAttributes	1	0x01	Sample rate control
4	bLockDelayUnits	1	0x00	Unused
5	wLockDelay	2	0x0000	

4.8 Operational Alternate Setting 7

4.8.1 Standard Audio Streaming Interface Descriptor

(Alt = 7: St, 24bit, 8k/11.025k/16k/22.05k /32k/44.1k/48k)

Offset	Field	Size	Value	Description
0	bLength	1	0x09	Size of this descriptor in bytes
1	bDescriptorType	1	0x04	INTERFACE descriptor
2	bInterfaceNumber	1	0x01	Index of this interface
3	bAlternateSetting	1	0x07	Index of this setting
4	bNumEndpoints	1	0x01	Endpoint 1
5	bInterfaceClass	1	0x01	AUDIO
6	bInterfaceSubclass	1	0x02	AUDIO_STREAMING
7	bInterfaceProtocol	1	0x00	Not used. Must be set to 0.
8	iInterface	1	0x00	Null string

4.8.2 Class-specific Audio General Interface Descriptor

Offset	Field	Size	Value	Description
0	bLength	1	0x07	Size of this descriptor in bytes
1	bDescriptorType	1	0x24	CS_INTERFACE descriptor
2	bDescriptorSubtype	1	0x01	AS_GENERAL
3	bTerminalLink	1	0x02	Unit ID of terminal (Output Terminal ID)
4	bDelay	1	0x01	Interface delay
5	wFormatTag	2	0x0001	PCM

4.8.3 Type I Format Type Descriptor

Offset	Field	Size	Value	Description
0	bLength	1	0x1D	Size of this descriptor in bytes
1	bDescriptorType	1	0x24	CS_INTERFACE
2	bDescriptorSubtype	1	0x02	FORMAT_TYPE
3	bFormatType	1	0x01	FORMAT_TYPE_I
4	bNrChannels	1	0x02	Two channels
5	bSubFrameSize	1	0x03	Three bytes per slot
6	bBitResolution	1	0x18	24 bits
7	bSamFreqType	1	0x07	Seven frequencies
8	tSamFreq[0]	3	0x001F40	8000Hz
11	tSamFreq[1]	3	0x002B11	11025Hz
14	tSamFreq[2]	3	0x003E80	16000kHz
17	tSamFreq[3]	3	0x005622	22050Hz
20	tSamFreq[4]	3	0x007D00	32000Hz
23	tSamFreq[5]	3	0x00AC44	44100Hz
26	tSamFreq[6]	3	0x00BB80	48000Hz

4.8.4 Standard Endpoint Descriptor

Offset	Field	Size	Value	Description
0	bLength	1	0x09	Size of this descriptor in bytes
1	bDescriptorType	1	0x05	ENDPOINT descriptor
2	bEndpointAddress	1	0x81	Endpoint 1, IN direction
3	bmAttributes	1	0x0D	Isochronous, synchronous, not shared
4	wMaxPacketSize	2	0x0120	3byte*48sample*2ch=288 byte/frame
6	bInterval	1	0x01	One packet every frame (Must be set to 1)
7	bRefresh	1	0x00	
8	bSynchAddress	1	0x00	

4.8.5 Class-specific Isochronous Audio Data Endpoint Descriptor

Offset	Field	Size	Value	Description
0	bLength	1	0x07	Size of this descriptor in bytes
1	bDescriptorType	1	0x25	CS_ENDPOINT
2	bDescriptorSubtype	1	0x01	GENERAL
3	bmAttributes	1	0x01	Sample rate control
4	bLockDelayUnits	1	0x00	Unused
5	wLockDelay	2	0x0000	

5. String Descriptor

5.1 Language ID (0x00) String Descriptor

Offset	Field	Size	Value	Description
0	bLength	1	0x04	Size of this descriptor in bytes
1	bDescriptorType	1	0x03	STRING descriptor
2	bString	2	0x0409	“English(US)” - Language code

5.2 Manufacturer (0x01) String Descriptor

Offset	Field	Size	Value	Description
0	bLength	1	0x80	Size of this descriptor in bytes
1	bDescriptorType	1	0x03	STRING descriptor
2	bString	126	0x0041 0x004B 0x0020 : 0x0020	Manufacturer code (max 126 bytes) “AKM ”

5.3 Product (0x02) String Descriptor

Offset	Field	Size	Value	Description
0	bLength	1	0x80	Size of this descriptor in bytes
1	bDescriptorType	1	0x03	STRING descriptor
2	bString	126	0x0041 0x004B 0x0035 0x0033 0x0037 0x0034 0x0020 : 0x0020	Product code (max 126 bytes) “AK5374 ”

5.4 Serial Number (0x03) String Descriptor

Offset	Field	Size	Value	Description
0	bLength	1	0x80	Size of this descriptor in bytes
1	bDescriptorType	1	0x03	STRING descriptor
2	bString	126	0x0041 0x0042 0x0043 0x0044 0x0031 0x0032 0x0033 0x0034 0x0020 : 0x0020	Serial Number code (max 126 bytes) “ABCD1234 ”

■ Standard Requests

The AK5374 only supports commands mentioned below. If unknown commands are input, the device returns a stall.

1. Clear Feature

Offset	Field	Size	Value	Description
0	bmRequestType	1	0x00 0x02	Device Endpoint
1	bRequest	1	0x01	CLEAR_FEATURE
2	wValue	2	0x0000 0x0001	Clear ENDPOINT_HALT Clear DEVICE_REMOTE_WAKEUP
4	wIndex	2	0x0000 0x0081 0x0082 0x0083 0x0084 0x0085 0x0086 0x0087	Device or Endpoint 0 Endpoint 1 Endpoint 2 Endpoint 3 Endpoint 4 Endpoint 5 Endpoint 6 Endpoint 7
6	wLength	2	0x0000	Zero

2. Get Configuration

Offset	Field	Size	Value	Description
0	bmRequestType	1	0x80	
1	bRequest	1	0x08	GET_CONFIGURATION
2	wValue	2	0x0000	
4	wIndex	2	0x0000	
6	wLength	2	0x0001	One

3. Get Descriptor

Offset	Field	Size	Value	Description
0	bmRequestType	1	0x80	
1	bRequest	1	0x06	GET_DESCRIPTOR
2	wValue	2	0x0100 0x0200 0x0300 0x0301 0x0302 0x0303	Device Descriptor Configuration Descriptor Language ID String Descriptor iManufacturer String Descriptor iProduct String Descriptor iSerial Number String Descriptor
4	wIndex	2	0x0000 0x0409	If wValue is 0x0100, 0x0200 or 0x0300, wIndex is 0x0000. If wValue is 0x0301, 0x0302 or 0x0303, wIndex is Language ID (0x0409: English (US)).
6	wLength	2	0xZZZZ	Descriptor Length (ZZZZ is assigned by Host.)

4. Get Interface

Offset	Field	Size	Value	Description
0	bmRequestType	1	0x81	
1	bRequest	1	0x0A	GET_INTERFACE
2	wValue	2	0x0000	Zero
4	wIndex	2	0x0000 0x0001	Audio Control Interface Audio Streaming Interface (Alt 0 ~ 7)
6	wLength	2	0x0001	One

5. Get Status

Offset	Field	Size	Value	Description
0	bmRequestType	1	0x80 0x81 0x82	Device Interface Endpoint
1	bRequest	1	0x00	GET_STATUS
2	wValue	2	0x0000	Zero
4	wIndex	2	0x0000 0x0001 0x0081 0x0082 0x0083 0x0084 0x0085 0x0086 0x0087	Device, Interface0 or Endpoint 0 Interface 1 Endpoint 1 Endpoint 2 Endpoint 3 Endpoint 4 Endpoint 5 Endpoint 6 Endpoint 7
6	wLength	2	0x0002	Two

6. Set Address

Offset	Field	Size	Value	Description
0	bmRequestType	1	0x00	
1	bRequest	1	0x05	SET_ADDRESS
2	wValue	2	0xZZZZ	Device Address (ZZZZ is assigned by Host.)
4	wIndex	2	0x0000	Zero
6	wLength	2	0x0000	Zero

7. Set Configuration

Offset	Field	Size	Value	Description
0	bmRequestType	1	0x00	
1	bRequest	1	0x09	SET_CONFIGURATION
2	wValue	2	0x0001	AK5374 is set to configured state.
4	wIndex	2	0x0000	Zero
6	wLength	2	0x0000	Zero

8. Set Descriptor

AK5374 does not support this request.

9. Set Feature

Offset	Field	Size	Value	Description
0	bmRequestType	1	0x02	Endpoint
1	bRequest	1	0x03	SET_FEATURE
2	wValue	2	0x0000	ENDPOINT HALT
4	wIndex	2	0x0081 0x0082 0x0083 0x0084 0x0085 0x0086 0x0087	Endpoint 1 Endpoint 2 Endpoint 3 Endpoint 4 Endpoint 5 Endpoint 6 Endpoint 7
6	wLength	2	0x0000	Zero

10. Set Interface

Offset	Field	Size	Value	Description
0	bmRequestType	1	0x01	
1	bRequest	1	0x0B	SET_INTERFACE
2	wValue	2	0x0000 0x0001 0x0002 0x0003 0x0004 0x0005 0x0006 0x0007	Zero-bandwidth Alternate Setting Alternate Setting 1 Alternate Setting 2 Alternate Setting 3 Alternate Setting 4 Alternate Setting 5 Alternate Setting 6 Alternate Setting 7
4	wIndex	2	0x0000 0x0001	Audio Control Interface Audio Streaming Interface
6	wLength	2	0x0000	Zero

11. Sync Frame

The AK5374 does not support this request.

■ Audio Control Requests

1. Set Feature Unit Control Request

1-1. Mute Control

Offset	Field	Size	Value	Description
0	bmRequestType	1	0x21	
1	bRequest	1	0x01	SET_CUR
2	wValue	2	0x0100	MUTE_CONTROL CHANNEL_0
4	wIndex	2	0x0300	Upper byte: bUnitID field in Feature Unit Control Descriptor (0x03) Lower byte: Audio Control Interface (0x00)
6	wLength	2	0x0001	Length of parameter block

The parameter block of mute control is the following.

Offset	Field	Size	Value	Description
0	bMute	1	0x01 0x00	Mute Not mute

1-2. Volume Control

Offset	Field	Size	Value	Description
0	bmRequestType	1	0x21	
1	bRequest	1	0x01	SET_CUR
2	wValue	2	0x0200 0x0201 0x0202	VOLUME_CONTROL CHANNEL_0 (Master) VOLUME_CONTROL CHANNEL_1 VOLUME_CONTROL CHANNEL_2
4	wIndex	2	0x0300	Upper byte: bUnit ID field in Feature Unit Control Descriptor (0x03) Lower byte: Audio Control Interface (0x00)
6	wLength	2	0x0002	Length of Parameter Block

The parameter block of volume control is the following.

Offset	Field	Size	Value	Description
0	wVolume	2	0xZZZZ	The value is mapped to the volume register value. (Table 8) (ZZZZ is assigned by Host.)

If the wVolume exceeds the range, the AK5374 adjusts the value into the range.

2. Get Feature Unit Control Request

2-1. Mute Control

Offset	Field	Size	Value	Description
0	bmRequestType	1	0xA1	
1	bRequest	1	0x81	GET_CUR
2	wValue	2	0x0100	MUTE_CONTROL CHANNEL_0
4	wIndex	2	0x0300	Upper byte: bUnitID field in Feature Unit Control Descriptor (0x03) Lower byte: Audio Control Interface (0x00)
6	wLength	2	0x0001	Length of parameter block

The parameter block of mute control is the following.

Offset	Field	Size	Value	Description
0	bMute	1	0x01 0x00	Mute Not mute

2-2. Volume Control

Offset	Field	Size	Value	Description
0	bmRequestType	1	0xA1	
1	bRequest	1	0x81 0x82 0x83 0x84	GET_CUR GET_MIN GET_MAX GET_RES
2	wValue	2	0x0200 0x0201 0x0202	VOLUME_CONTROL CHANNEL_0 (Master) VOLUME_CONTROL CHANNEL_1 VOLUME_CONTROL CHANNEL_2
4	wIndex	2	0x0300	Upper byte: bUnit ID field in Feature Unit Control Descriptor (0x03) Lower byte: Audio Control Interface (0x00)
6	wLength	2	0x0002	Length of Parameter Block

The parameter block of volume control is the following.

Offset	Field	Size	Value	Description
0	wVolume	2	0xZZYY 0x0100	bRequest=GET_CUR, GET_MIN, GET_MAX: ZZ is mapped to the volume register value (Table 8). YY must be 00H. bRequest=GET_RES: 1.0dB

Field wVolume	EEP-ROM Value (INTVOL7-0 bits, MAXVOL7-0 bits, MINVOL7-0 bits)		Volume [dB]	Step [dB]	
	[Hex]	[Dec]			
0x7F00~FF	7F	127	24.0	-	
0x7E00~FF	7E	126		-	
:	:	:		-	
0x1900~FF	19	25		-	
0x1800~FF	18	24	1dB		
0x1700~FF	17	23		23.0	
0x1600~FF	16	22		22.0	
0x1500~FF	15	21		21.0	
0x1400~FF	14	20		20.0	
:	:	:		:	
0x0500~FF	05	5		5.0	
0x0400~FF	04	4		4.0	
0x0300~FF	03	3		3.0	
0x0200~FF	02	2		2.0	
0x0100~FF	01	1		1.0	
0x0000~FF	00	0		0.0	
0xFF00~FF	FF	255		-1.0	
0xFE00~FF	FE	254		-2.0	
0xFD00~FF	FD	253		-3.0	
0xFC00~FF	FC	252		-4.0	
0xFB00~FF	FB	251		-5.0	
:	:	:		:	
0xE700~FF	E7	231		-25.0	
0xE600~FF	E6	230		-26.0	
0xE500~FF	E5	229		-27.0	
0xE400~FF	E4	228		-28.0	
0xE300~FF	E3	227		-29.0	
0xE200~FF	E2	226		-30.0	
0xE100~FF	E1	225		-31.0	
0xE000~FF	E0	224			-
:	:	:			-
0x8100~FF	81	129			-
0x8000~FF	80	128	-	-	

Table 8. Conversion Table of Volume Control

■ Audio Endpoint Control Request

1. Set Endpoint Control Request

Offset	Field	Size	Value	Description
0	bmRequestType	1	0x22	
1	bRequest	1	0x01	SET_CUR
2	wValue	2	0x0100	Upper byte: SAMPLING_FREQ_CONTROL (0x01) Lower byte: Zero
4	wIndex	2	0x0081	Upper byte: Zero Lower byte: Endpoint Address (0x81)
6	wLength	2	0x0003	Length of parameter block

The parameter block of mute control is the following.

Offset	Field	Size	Value	Description
0	iSampleFreq	3	0xYYYYYY	0x001F40: 8kHz 0x002B11: 11.025kHz 0x003E80: 16kHz 0x005622: 22.05kHz 0x007D00: 32kHz 0x00AC44: 44.1kHz 0x00BB80: 48kHz

2. Get Endpoint Control Request

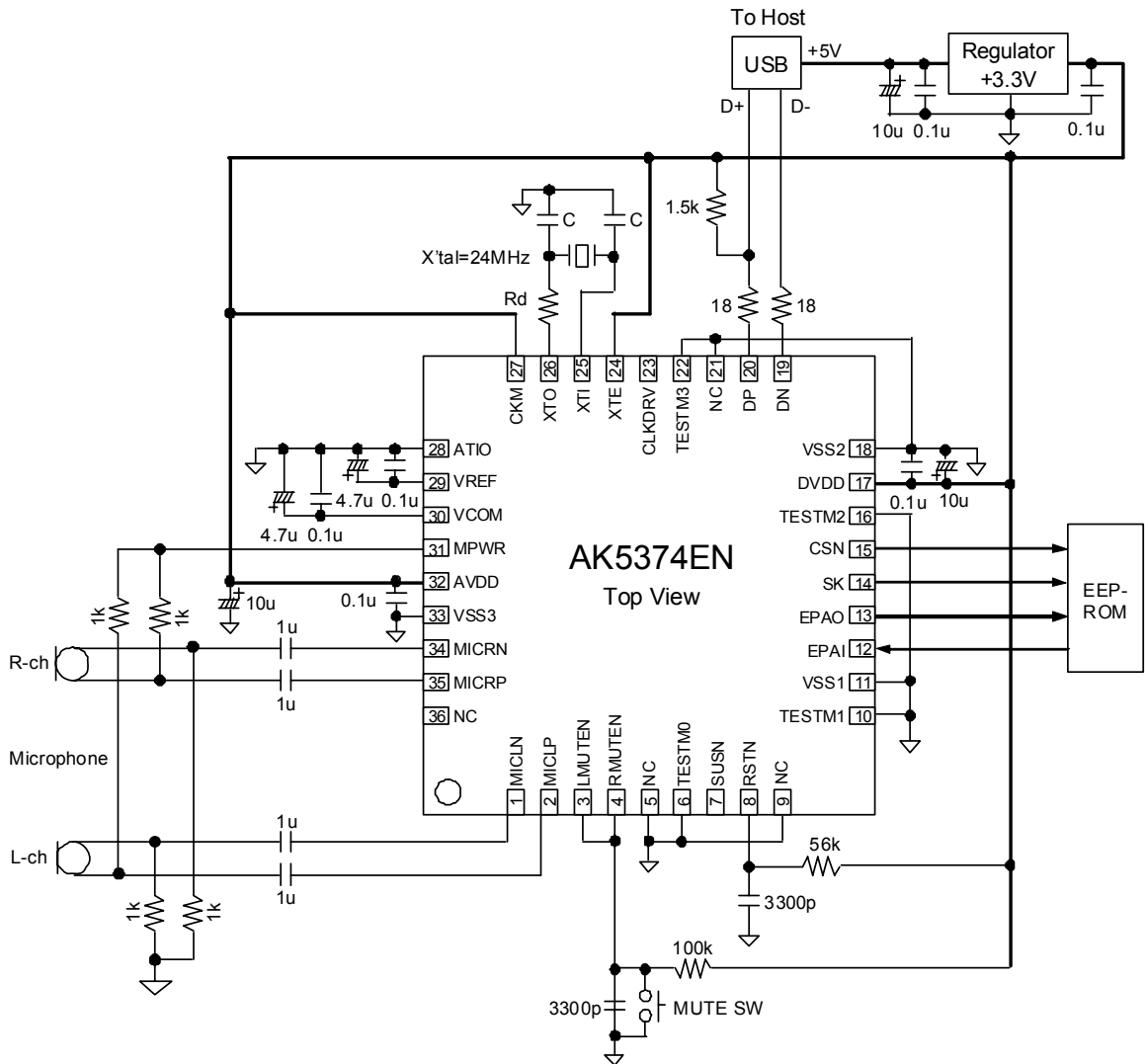
Offset	Field	Size	Value	Description
0	bmRequestType	1	0xA2	
1	bRequest	1	0x81	GET_CUR
2	wValue	2	0x0100	Upper byte: SAMPLING_FREQ_CONTROL (0x01) Lower byte: Zero
4	wIndex	2	0x0081	Upper byte: Zero Lower byte: Endpoint Address (0x81)
6	wLength	2	0x0003	Length of parameter block

The parameter block of mute control is the following.

Offset	Field	Size	Value	Description
0	iSampleFreq	3	0xYYYYYY	0x001F40: 8kHz 0x002B11: 11.025kHz 0x003E80: 16kHz 0x005622: 22.05kHz 0x007D00: 32kHz 0x00AC44: 44.1kHz 0x00BB80: 48kHz

SYSTEM DESIGN

Figure 18 shows the system connection diagram. An evaluation board (AKD5374) is available for fast evaluation as well as suggestions for peripheral circuitry.



Notes:

- “C” and “Rd” values are dependent on the crystal. When the 24MHz crystal oscillator is used (CKM pin = “H”), AT-41-24.000M-LN-N-0005 (Nihon Dempa Kogyo) or HC49SFNB24000H0PESZ1 (Kyocera) is recommended. When the 16MHz crystal oscillator is used (CKM pin = “L”), AT-41-16.000M-LN-N-0005 (Nihon Dempa Kogyo) or HC49SFNB16000H0PESZ1 (Kyocera) is recommended.
- VSS1-3 must be connected the same ground plane.
- All digital input pins must not be left floating.

Figure 18. System Connection Diagram

1. Grounding and Power Supply Decoupling

The AK5374 requires careful attention to power supply and grounding arrangements. AVDD and DVDD are usually supplied from the system's analog supply. If AVDD and DVDD are supplied separately, the power-up sequence is not critical. VSS1-3 of the AK5374 must be connected to the analog ground plane. System analog ground and digital ground must be connected together near to where the supplies are brought onto the printed circuit board. Decoupling capacitors must be as near to the AK5374 as possible, with the small value ceramic capacitor being the nearest.

2. Voltage Reference

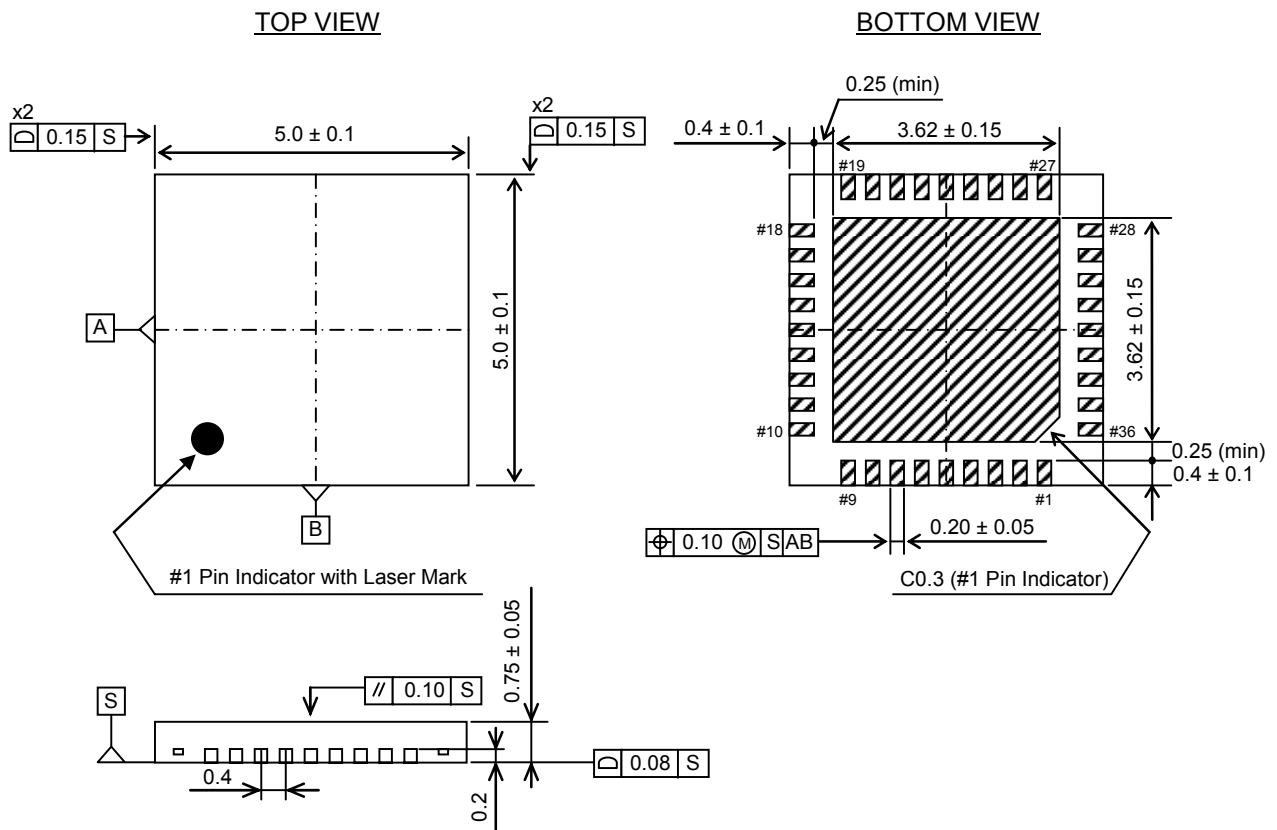
The voltage of VREF is 2.2V (typ) and set the analog input range. VCOM is 50%VREF and a signal ground of this chip. A 4.7 μ F electrolytic capacitor in parallel with a 0.1 μ F ceramic capacitor attached to the VREF pin and the VCOM pin eliminates the effects of high frequency noise. No load current may be drawn from the VREF pin and the VCOM pin. All signals, especially clocks, should be kept away from the VREF pin and the VCOM pin in order to avoid unwanted coupling into the AK5374.

3. Analog Inputs

The analog inputs are full-differential and input resistance is 20k Ω (typ). The input signal range is typ. ± 0.038 Vpp (@MGAIN = +30dB) and typ. ± 1.2 Vpp (@MGAIN = 0dB), centered around the internal common voltage (typ. 1.1V). Usually the input signal is AC coupled using a capacitor. The cut-off frequency is $f_c = 1 / (2\pi RC)$. The DC offset including the ADC's own DC offset is removed by the internal HPF ($f_c = 0.93$ Hz@fs=48kHz). The AK5374 can accept input voltages from VSS1 to VREF.

PACKAGE

■ 36pin QFN (Unit: mm)

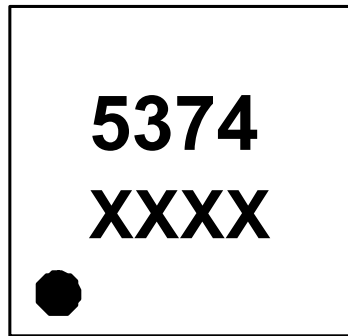


Note: The exposed pad on the bottom surface of the package must be connected to the ground.

■ Material & Lead finish

Package molding compound: Epoxy Resin, Halogen (bromine and chlorine) free
 Lead frame material: Cu Alloy
 Lead frame surface treatment: Ni/Pd/Au Plate

MARKING



1

XXXX: Date code (4 digit)
Pin #1 indication

REVISION HISTORY

Date (YY/MM/DD)	Revision	Reason	Page/Line	Contents
10/06/03	00	First Edition		

————— IMPORTANT NOTICE —————

- These products and their specifications are subject to change without notice.
When you consider any use or application of these products, please make inquiries the sales office of Asahi Kasei Microdevices Corporation (AKM) or authorized distributors as to current status of the products.
- Descriptions of external circuits, application circuits, software and other related information contained in this document are provided only to illustrate the operation and application examples of the semiconductor products. You are fully responsible for the incorporation of these external circuits, application circuits, software and other related information in the design of your equipments. AKM assumes no responsibility for any losses incurred by you or third parties arising from the use of these information herein. AKM assumes no liability for infringement of any patent, intellectual property, or other rights in the application or use of such information contained herein.
- Any export of these products, or devices or systems containing them, may require an export license or other official approval under the law and regulations of the country of export pertaining to customs and tariffs, currency exchange, or strategic materials.
- AKM products are neither intended nor authorized for use as critical components^{Note1)} in any safety, life support, or other hazard related device or system^{Note2)}, and AKM assumes no responsibility for such use, except for the use approved with the express written consent by Representative Director of AKM. As used here:
 - Note1) A critical component is one whose failure to function or perform may reasonably be expected to result, whether directly or indirectly, in the loss of the safety or effectiveness of the device or system containing it, and which must therefore meet very high standards of performance and reliability.
 - Note2) A hazard related device or system is one designed or intended for life support or maintenance of safety or for applications in medicine, aerospace, nuclear energy, or other fields, in which its failure to function or perform may reasonably be expected to result in loss of life or in significant injury or damage to person or property.
- It is the responsibility of the buyer or distributor of AKM products, who distributes, disposes of, or otherwise places the product with a third party, to notify such third party in advance of the above content and conditions, and the buyer or distributor agrees to assume any and all responsibility and liability for and hold AKM harmless from any and all claims arising from the use of said product in the absence of such notification.