

Fig. 1

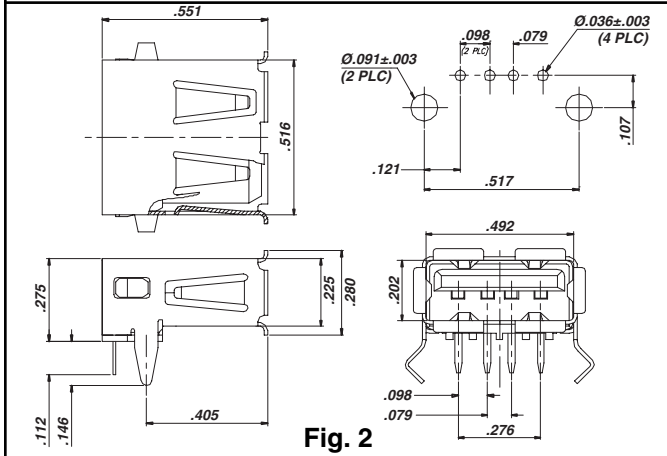


Fig. 2

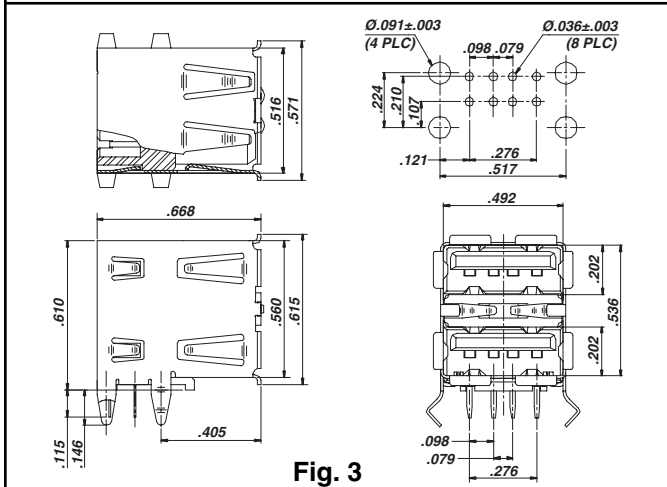


Fig. 3

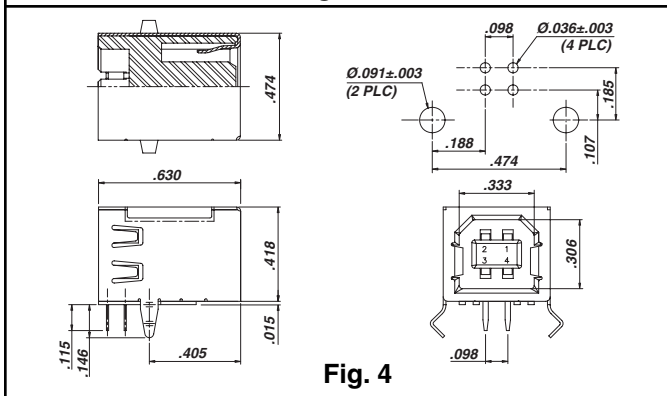
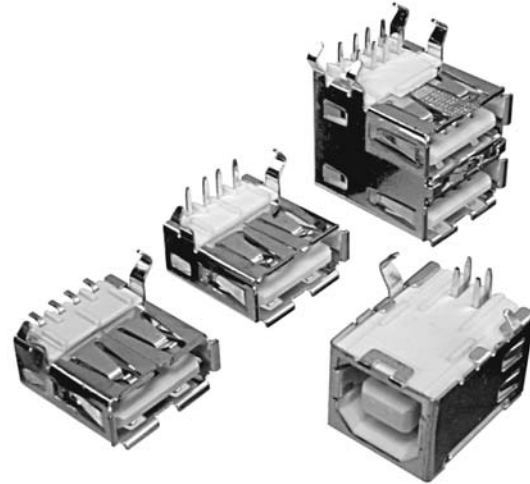


Fig. 4



### Features

- USB receptacles for thru-hole & surface mount.
- Plug retention tabs.
- Kinked locating legs for secure PCB retention.
- Fully compatible with USB 1.0 specification.
- Passes 16MHz Signal Attenuation per ASTM-D-4566.
- Packaged in trays, 150 pieces per tray.

### Ordering Information

Figure 1: Type A Receptacle, Single, Surface Mount  
**896-30-004-00-000000**

Figure 2: Type A Receptacle, Single, Thru Hole  
**896-30-004-90-000000**

Figure 3: Type A Receptacle, Double, Thru Hole  
**896-30-008-90-000000**

Figure 4: Type B Receptacle, Single, Thru Hole  
**897-30-004-90-000000**

### Specifications

#### Materials:

Shell & contact material: copper alloy  
Shell finish: tin/lead over copper  
Contact finish: 30 $\mu$ m selective gold, tin/lead tail  
Housing material: glass filled thermoplastic rated UL94V-0

#### Ratings:

Voltage: 30VAC (rms)  
Current: 1A max. per contact for 30°C temperature rise  
Thru-hole housings rated at 130°C for wave soldering  
SMT housing rated at 240°C for reflow soldering

#### Electrical:

Contact resistance: 30m $\Omega$  max.  
Insulation resistance: 1000M $\Omega$  min.  
Dielectric withstanding voltage: 750VAC at sea level  
Capacitance: 2pF max.

#### Mechanical:

Random vibration: No discontinuity >1 $\mu$ s per EIA 364-28, cond. V, letter A  
Physical shock: No discontinuity >1 $\mu$ s per EIA 364-27, condition H  
Durability: 1500 cycles min. per EIA 364-09  
Mating force: 35 Newtons max. per EIA 364-13  
Unmating force: 10 Newtons min. per EIA 364-13

#### Environmental:

Thermal shock per EIA 364-32, condition I  
Humidity per EIA 364-31, method II, condition A  
Temperature life per EIA 364-17, condition 3, method A

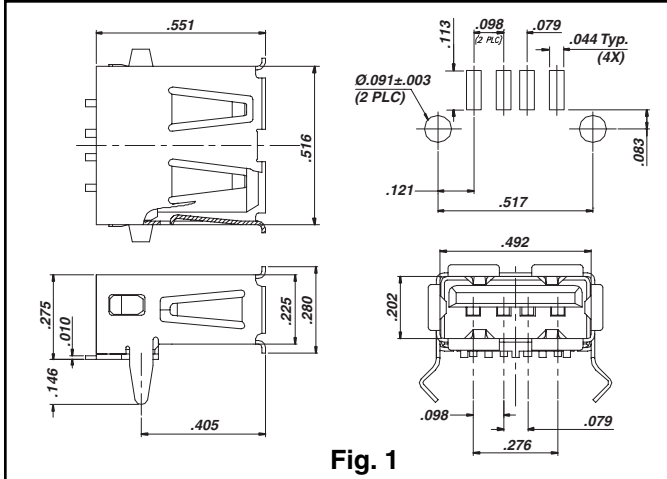


Fig. 1

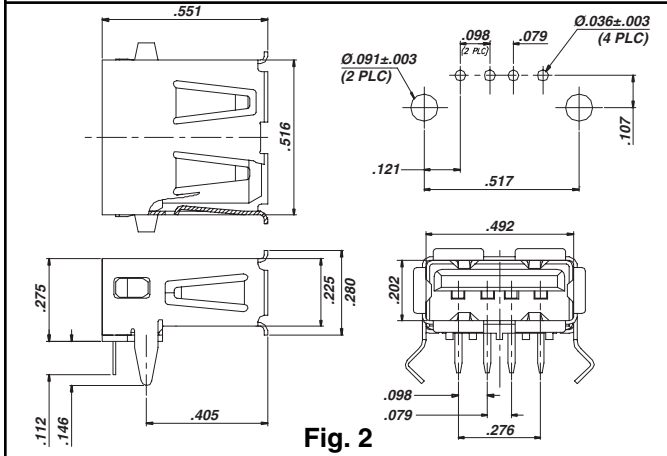


Fig. 2

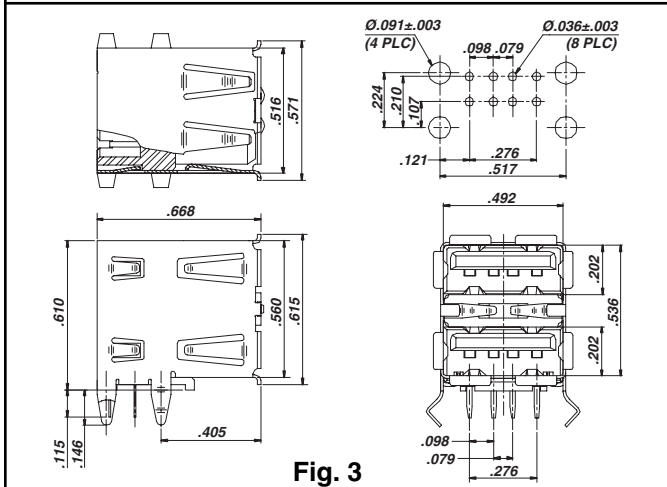


Fig. 3

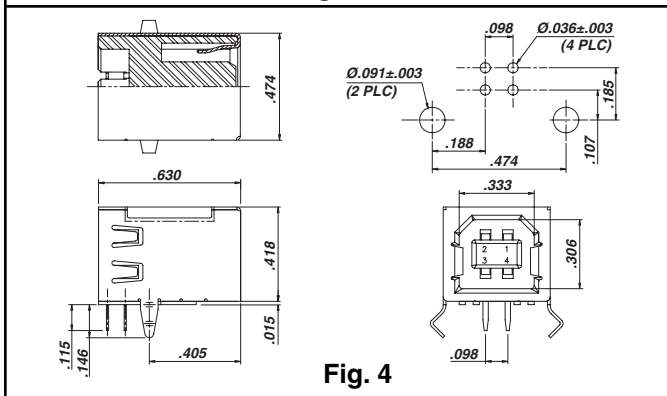
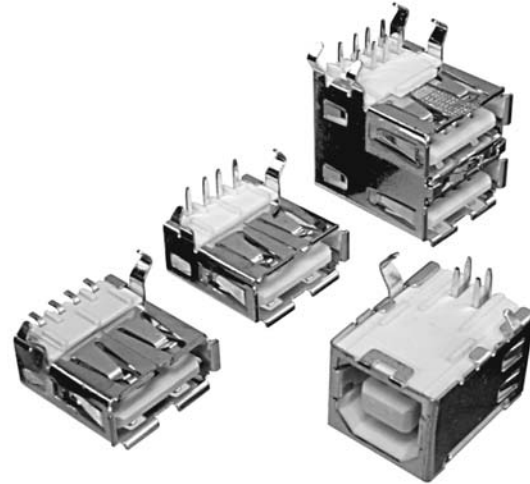


Fig. 4



### Features

- USB receptacles for thru-hole & surface mount.
- Plug retention tabs.
- Kinked locating legs for secure PCB retention.
- Fully compatible with USB 1.0 & 2.0 specifications.
- Passes 16MHz Signal Attenuation per ASTM-D-4566.
- Packaged in trays, 150 pieces per tray.

### Ordering Information

Figure 1: Type A Receptacle, Single, Surface Mount  
**896-43-004-00-000000**

Figure 2: Type A Receptacle, Single, Thru Hole  
**896-43-004-90-000000**

Figure 3: Type A Receptacle, Double, Thru Hole  
**896-43-008-90-000000**

Figure 4: Type B Receptacle, Single, Thru Hole  
**897-43-004-90-000000**

### Specifications

#### Materials:

Shell & contact material: copper alloy  
Shell finish: tin over copper  
Contact finish: 30μ" selective gold, tin/copper tail  
Housing material: high temp. thermoplastic rated UL94V-0

#### Ratings:

Voltage: 30VAC (rms)  
Current: 1A max. per contact for 30°C temperature rise  
All housing materials rated for "lead-free" soldering up to 260°C

#### Electrical:

Contact resistance: 30mΩ max.  
Insulation resistance: 1000MΩ min.  
Dielectric withstanding voltage: 750VAC at sea level  
Capacitance: 2pF max.

#### Mechanical:

Random vibration: No discontinuity >1μs per EIA 364-28, cond. V, letter A  
Physical shock: No discontinuity >1μs per EIA 364-27, condition H  
Durability: 1500 cycles min. per EIA 364-09  
Mating force: 35 Newtons max. per EIA 364-13  
Unmating force: 10 Newtons min. per EIA 364-13

#### Environmental:

Thermal shock per EIA 364-32, condition I  
Humidity per EIA 364-31, method II, condition A  
Temperature life per EIA 364-17, condition 3, method A

