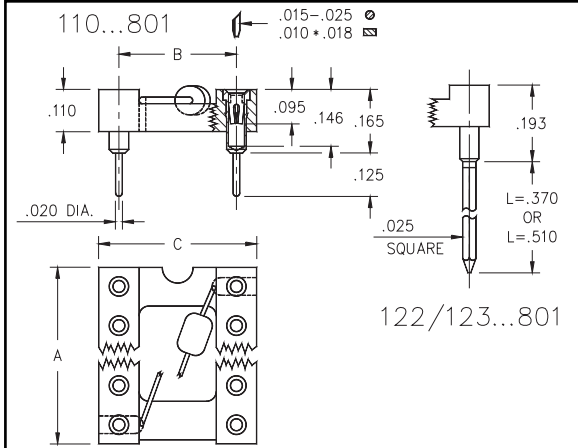


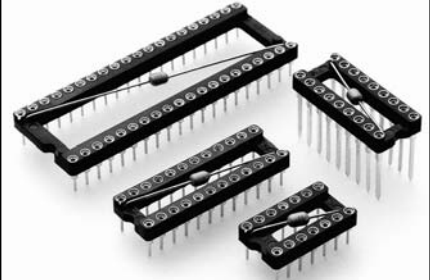


## DUAL-IN-LINE SOCKETS With Integral Decoupling Capacitor Open Frame

Series 110, 122, 123...801



- Low profile DIP sockets with integral decoupling capacitor: .1μ F 20%-50V multilayer ceramic epoxy encapsulated. Temp. range: -25°C to +85°C.
- Hi-Rel, 4-finger #30 clip rated at 3 amps. See page 208 for details.
- Uses M-M #1001, 0088, or 0089 pins. See pages 134 & 162 for details.
- High temperature insulator can withstand infra-red reflow and vapor phase soldering.



Total number of pins				Quantity per tube	<b>Ordering Information</b>		
	A	B	C		Solder Tail	2 Level Wrapost L = .370	3 Level Wrapost L = .510
	14	0.7	0.3		0.4	28	110-XX-314-41-801
16	0.8	0.3	0.4	25	110-XX-316-41-801	122-XX-316-41-801	123-XX-316-41-801
18	0.9	0.3	0.4	22	110-XX-318-41-801	122-XX-318-41-801	123-XX-318-41-801
20	1.0	0.3	0.4	20	110-XX-320-41-801	122-XX-320-41-801	123-XX-320-41-801
22	1.1	0.3	0.4	18	110-XX-322-41-801	122-XX-322-41-801	123-XX-322-41-801
24	1.2	0.3	0.4	16	110-XX-324-41-801	122-XX-324-41-801	123-XX-324-41-801
28	1.4	0.3	0.4	14	110-XX-328-41-801	122-XX-328-41-801	123-XX-328-41-801
22	1.1	0.4	0.5	18	110-XX-422-41-801	122-XX-422-41-801	123-XX-422-41-801
24	1.2	0.6	0.7	16	110-XX-624-41-801	122-XX-624-41-801	123-XX-624-41-801
28	1.4	0.6	0.7	14	110-XX-628-41-801	122-XX-628-41-801	123-XX-628-41-801
32	1.6	0.6	0.7	12	110-XX-632-41-801	122-XX-632-41-801	123-XX-632-41-801
40	2.0	0.6	0.7	10	110-XX-640-41-801	122-XX-640-41-801	123-XX-640-41-801

XX= Plating Code  
See Below

SPECIFY PLATING CODE XX=	13	93
Sleeve (Pin)	10μ" Au	200μ" Sn/Pb
Contact (Clip)	30μ" Au	30μ" Au