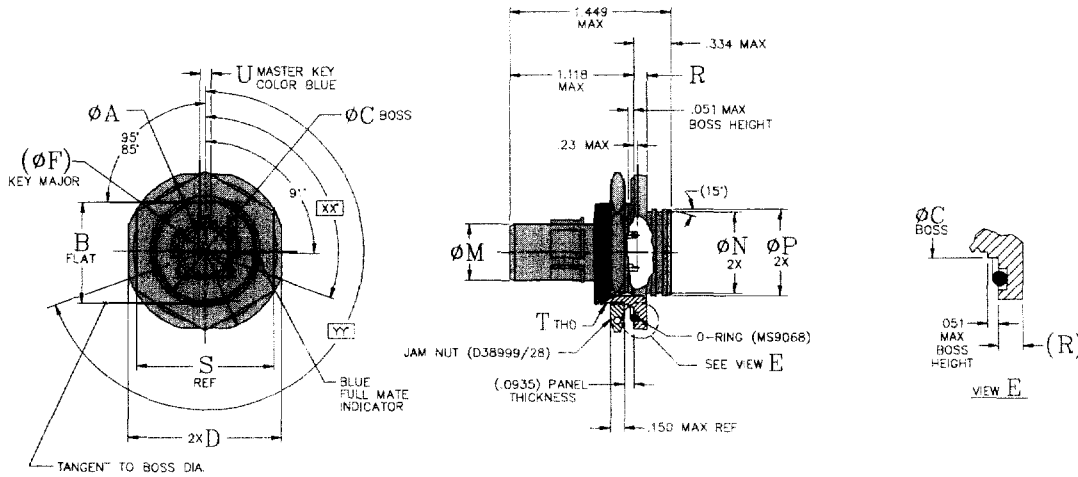
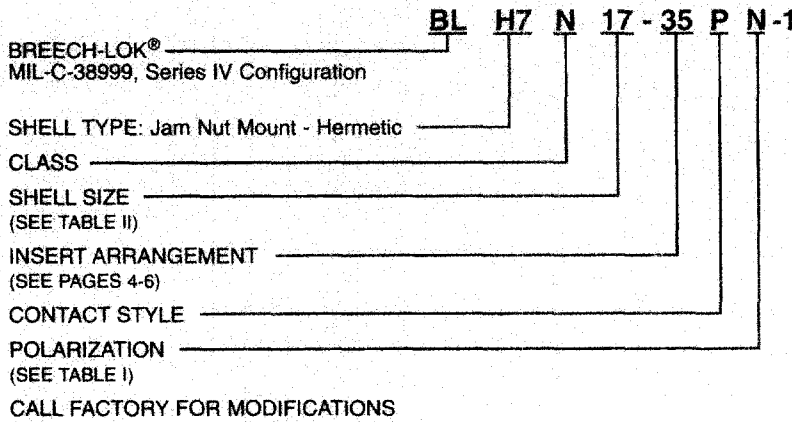


JAM NUT RECEPTACLE - HERMETIC

REF: D38999/43



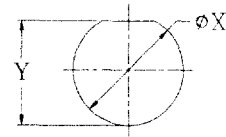
G & H PART NUMBER DEVELOPMENT



**TABLE I
POLARIZATION CHART**

KEY POSITION	XX°	YY°
N	110°	250°
A	100°	260°
B	90°	270°
C	80°	280°
D	70°	290°
K	120°	255°

CONSULT FACTORY FOR ADDITIONAL POLARIZATION POSITIONS



PANEL CUT-OUT
(.125 MAX) PANEL THICKNESS
REAR PANEL MOUNTING

TABLE II

SHELL SIZE	øA MAX	B FLAT MAX	øC BOSS MAX	øD MAX	F REF	øM MAX	øN MAX	øP MAX	R MAX	S MAX	T THREAD METRIC	øX MAX	Y MAX	O-RING MS9068
9	1.201	.655	.689	1.079	.464	.385	.606	.660	.118	.945	M17x1,0-6g-0,1R	.710	.670	-019
11	1.386	.755	.815	1.268	.589	.509	.732	.779		1.036	M20x1,0-6g-0,1R	.832	.769	-022
13	1.512	.942	1.004	1.394	.720	.634	.858	.909		1.230	M25x1,0-6g-0,1R	1.017	.955	-024
15	1.638	1.066	1.126	1.520	.844	.759	.984	1.035		1.387	M28x1,0-6g-0,1R	1.144	1.084	-026
17	1.764	1.191	1.259	1.642	.969	.885	1.110	1.157		1.429	M32x1,0-6g-0,1R	1.269	1.208	-028
19	1.949	1.316	1.384	1.831	1.088	1.009	1.236	1.283	.150	1.586	M35x1,0-6g-0,1R	1.394	1.333	-128
21	2.075	1.442	1.507	1.957	1.213	1.134	1.358	1.409		1.783	M38x1,0-6g-0,1R	1.517	1.459	-130
23	2.201	1.565	1.626	2.079	1.342	1.259	1.484	1.535		1.941	M41x1,0-6g-0,1R	1.644	1.575	-132
25	2.327	1.692	1.752	2.205	1.469	1.384	1.610	1.657		2.017	M44x1,0-6g-0,1R	1.769	1.709	-134