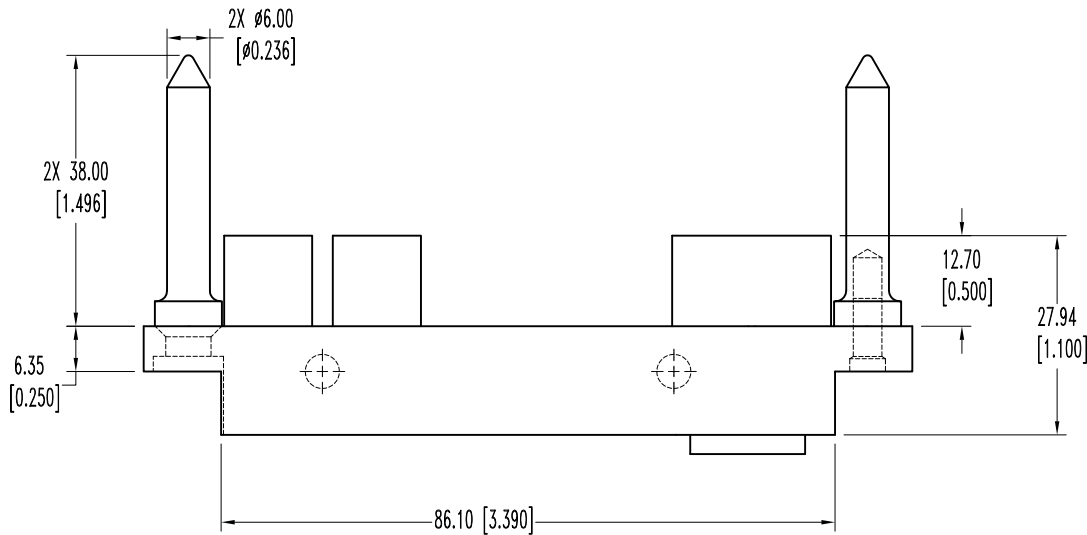
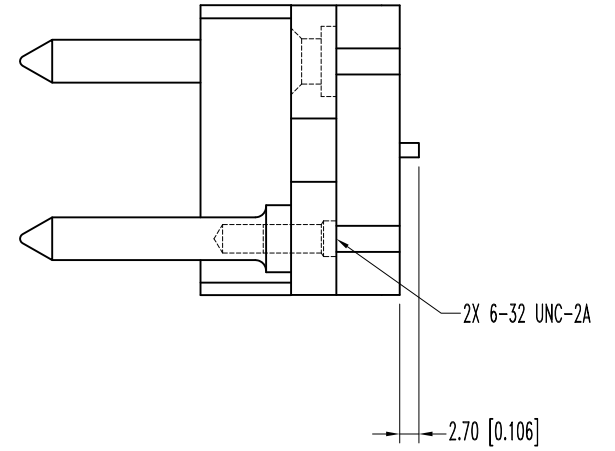
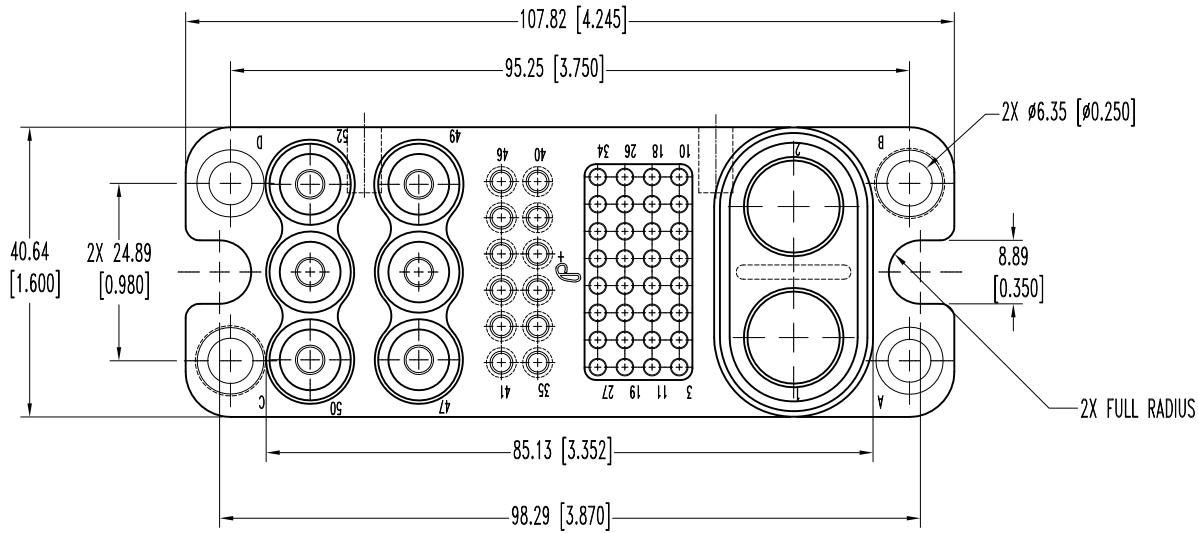


SK12039


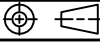
THIS DRAWING CONTAINS INFORMATION PROPRIETARY TO POSITRONIC AND ITS SUBSIDIARIES. POSITRONIC BELIEVES THE DATA ON THIS DRAWING TO BE RELIABLE, SINCE THE TECHNICAL INFORMATION IS GIVEN FREE OF CHARGE, THE USER EMPLOYS SUCH INFORMATION AT HIS OWN DISCRETION AND RISK. POSITRONIC ASSUMES NO RESPONSIBILITY FOR RESULTS OBTAINED OR DAMAGES INCURRED FROM USE OF SUCH INFORMATION IN WHOLE OR IN PART.

DATE	REV	REVISION RECORD	APP	DR	CK
12-15-10	NC	ECO 33414	COLE	BS	COLE



NOTES:

- MATERIAL AND FINISHES:
INSULATOR: GLASS FILLED POLYESTER, UL 94V-0, COLOR: BLUE.
BLIND MATE GUIDES: STAINLESS STEEL, PASSIVATED.
- DETAILED PRODUCT, MECHANICAL, AND ELECTRICAL INFORMATION IS AVAILABLE IN THE LATEST SUMO PRODUCT PUBLICATION. VISIT CONNECTPOSITRONIC.COM/PRODUCTS/35/SUMO OR CONNECTPOSITRONIC.COM.
- CONNECTORS ARE ROHS COMPLIANT PER ROHS DIRECTIVE 2002/95/EC OF 27 JAN 2003.
- DIMENSIONS ARE IN INCHES [MILLIMETERS].

 POSITRONIC INDUSTRIES INC. www.connectpositronic.com		FSCM 28198	
		SCALE	DRAWN BY
DECIMAL TOL. ± 0.38 [0.015]		N.T.S.	B SHELEDY
TITLE SUM0 SERIES		APPROVED BY	
SUM10M00110/AA		COLE	
DATE	DRAWING NUMBER	REV.	
12-15-10	SK12039	NC	
ANGULAR TOL. $\pm 5^\circ$			