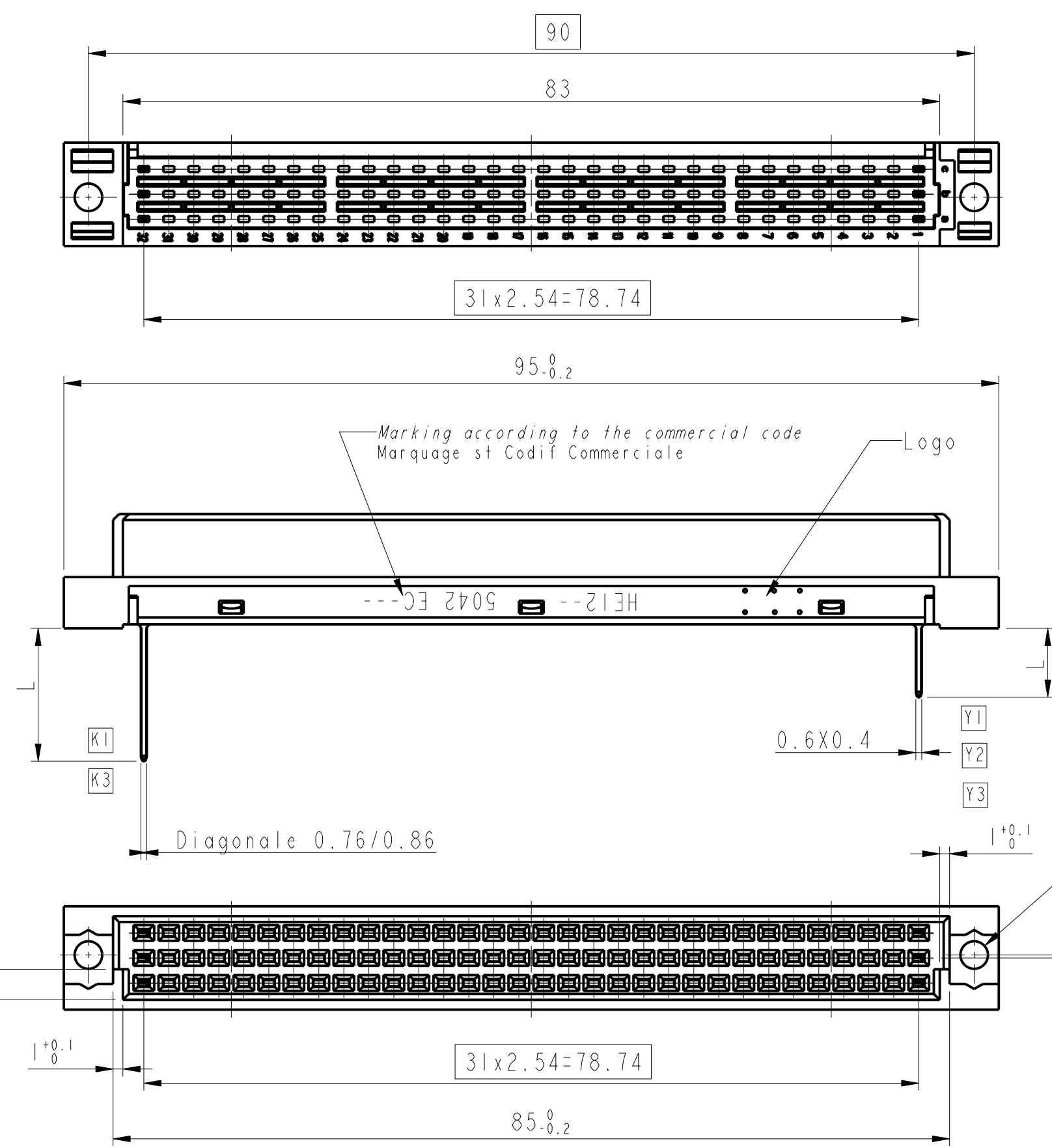


Tous droits strictement réservés. Reproduction ou communication à des tiers interdite sans autorisation écrite du propriétaire. Property of FCI. Droits de reproduction réservés.

FCI

All rights strictly reserved. Reproduction or issue to third parties in any form without written authority from the proprietor. Property of FCI. Copyright FCI.



General Data
 - In accordance with NFC/UTE 93420 and DIN 41612
 - Ends: -straight pins for 0.9 to 1.1 mm holes in PCB
 - pins for wire wrapping connection
 - pins for wire wrapping connection + rear mating

Technical Data:

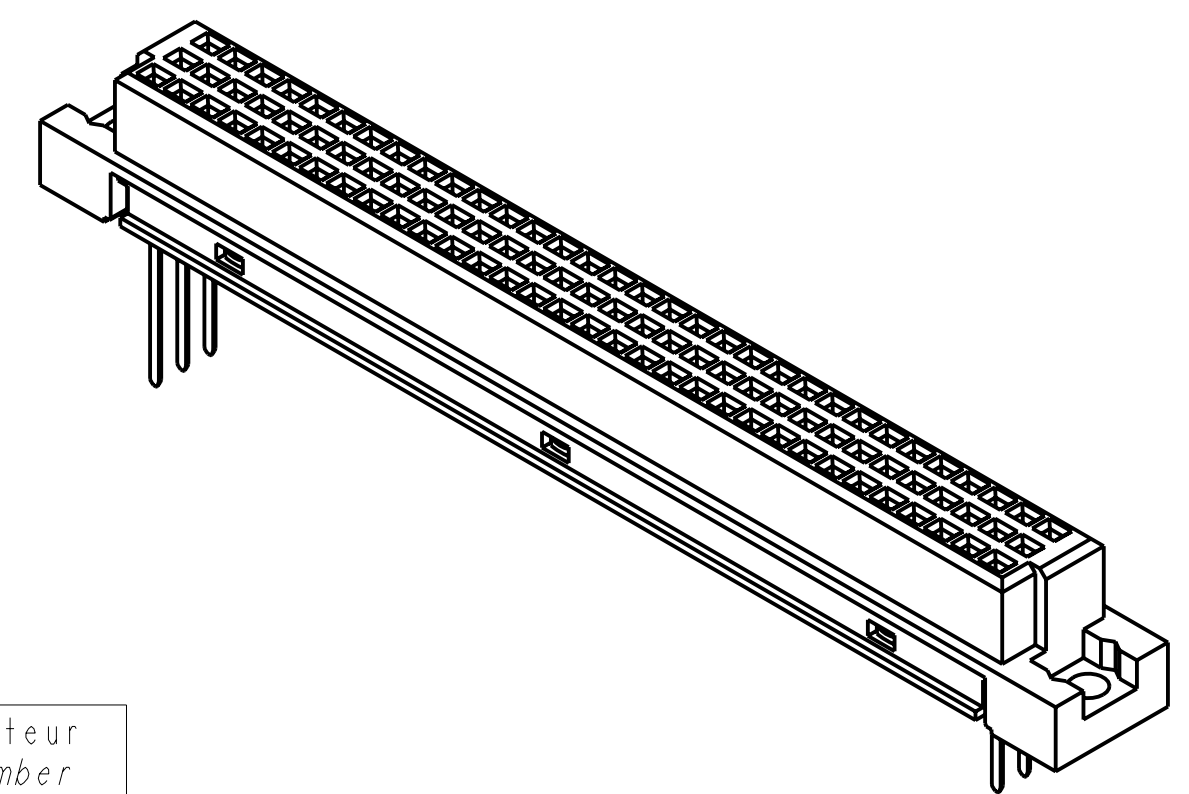
Electrical

1. Initial contact resistance	≤ 20mΩ
2. Insulation resistance after test	≥ 10 ⁶ MΩ
3. Withstanding voltage:	≥ 1000 Vrms
measured between 1 contact and all others	
4. Operating Voltage:	250Vac
5. Operating current:	1.5A at 20°C

Mechanical

1. Insertion force (each contact)	≤ 0.94N
2. Withdrawal force (each contact)	≥ 0.15N
3. Endurance Class 1	≥ 500 Cycles
Class 2	≥ 400 Cycles
Class 3	≥ 50 Cycles

Material
 Body: Fibreglass reinforced thermoplastic UL94 V0
 Contacts: Phosphor bronze
 Plating: Gold over Nickel on working area



Codification commerciale. Modèles standard / Catalogue numbers for ordering. Standard items

Nb de contacts Nr of contacts	Equipment Arrangement	Cote 'L' (mm) 'L' Dimension (mm)	Protection zone contact Plating of contact area	Protection zone raccordement Plating of end area	Code du connecteur Connectors number
96		Y1: L = 2.75±0.25 (CI 1.6mm) Y2: L = 3.95±0.25 (CI 2.4mm) Y3: L = 4.75±0.25 (CI 3.2mm)	0 Norme HE 1201 DIN Class 3 1 Norme HE 1202 DIN Class 2	2 (LF) Doré sur Nickel Gold over Nickel 3 Etamé sur nickel (Standard) Tin-lead over Nickel (Standard plating)	5042EC9631Y3.3- 5042EC9631Y3.3-LF
64		K1: L = 7±1	2 Norme HE 1203 (Au 0.76 μ) 3 Norme HE 1203 (Au 1.27 μ)	3-LF Tin over Nickel (Lead Free Version)	5042EC9631K1.3- 5042EC9631K1.3-LF
48		K3: L = 13.5±0.5		4 (LF) Nickelé (Standard) Nickel (Standard plating)	5042EC6441K3.7 5042EC6441K3.7LF
32				6 (LF) Identique zone contact (Zone wrapping nickelée) Same than contact area (Ni on wrapping area)	5042EC4832Y3.3- 5042EC4832Y3.3-LF
				7 (LF) Identique zone contact (Zone wrapping dorée) Same than contact area (Au on wrapping area)	5042EC3242K3.7 5042EC3242K3.7LF
Autres équipements Nous consulter Other arrangements Consult us		Autres longueurs Nous consulter Others lengths Consult us	Remplacer: par code protection Replace: by plating code	Autres protections Nous consulter Other plating consult us	

NOTE RoHS INFORMATIONS

- The "LF" products meet European Union Directives and other country regulations as described in GS-22-008
- The housing will withstand exposure to 260°C peak temperature for 3.5 seconds in a wave solder application with a 1.6 mm minimum thick circuit board. See application notes/procedures if they are available.
- Packaging spec: see GS-14-920

EUROPEAN PROJECTION

FCI www.fciconnect.com		surface <input checked="" type="checkbox"/> ISO 1302	tolerance <input checked="" type="checkbox"/> ISO 406 ISO 1101	projection	mm
Dr	D LEGRAND	02.12.18	Product family	DIN	size A2
Eng	F TISSERAND	02.12.18	Spec ref		Scale 2:1
Chr	JF NOTTEAU	02.12.18	Material	SEE NOTES	ECN LS05-0117
Appr	F.TI	02.12.18			
file		3x32 FEM.		Rev. C	
title		VJWI1846		sheet 1 of 1	
catalog no		CUSTOMER COPY			

lfr	ecn no	dr	date
A	F03002	DLE	02.12.18
B	LS05-0043	HLE	05-18-16
C	LS05-0117	MRA	16/01/06