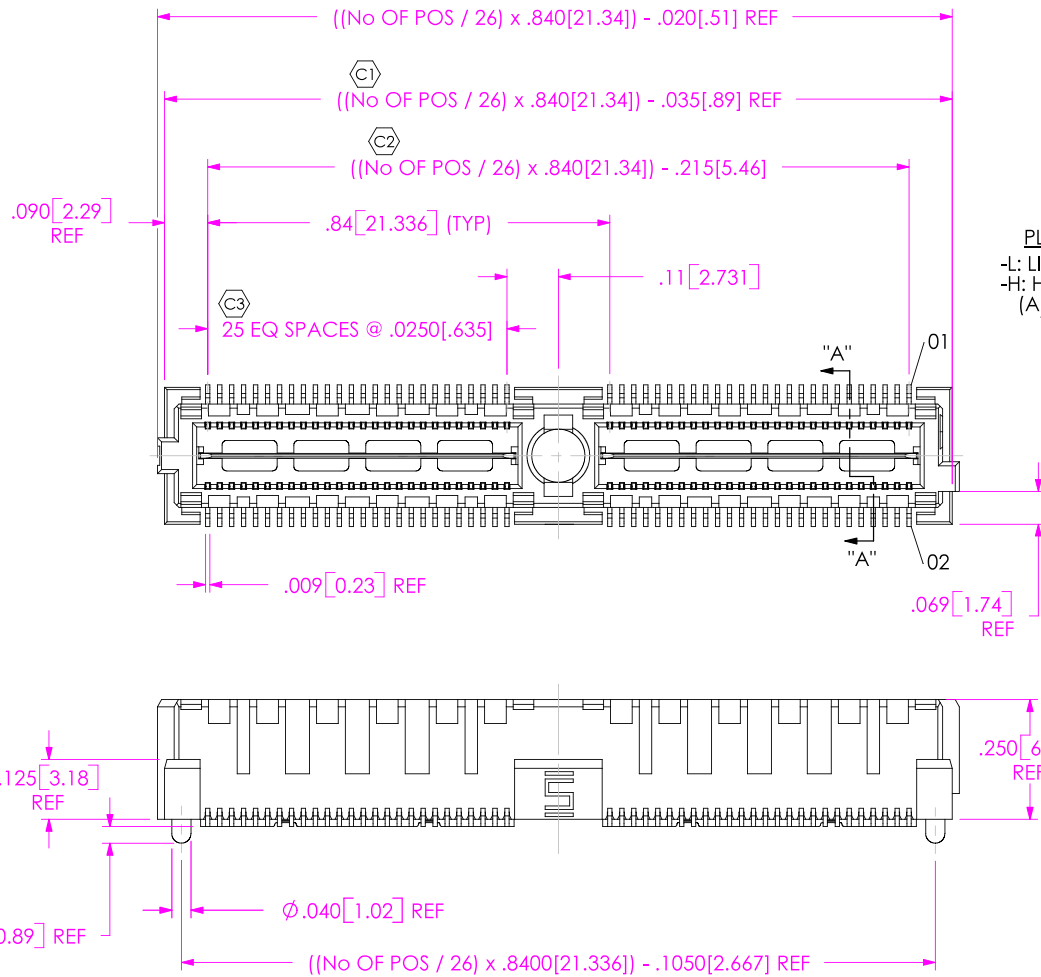


DO NOT SCALE FROM THIS PRINT

QMS-XXX-XX-X-D-X-XXX



No OF POSITIONS
 -026, -052, -078,
 -104, *-130
 (PER ROW)

LEAD STYLE
 -11 (SEE FIG. 1)
 *-16 (SEE FIG. 4, SHEET 3)
 *-25 (SEE FIG. 4, SHEET 3)

PLATING SPECIFICATION
 -L: LIGHT GOLD (USE T-1M19-XX-L)
 -H: HEAVY GOLD (USE T-1M19-XX-H)
 (ALL PLATING STYLES USE T-1G19-XX-L)

ROW SPECIFICATION
 -D: DOUBLE

OPTION
 **-GP: GUIDE POSTS (SEE FIG. 3, SHEET 2)
B -K: KAPTON PAD (SEE FIG. 2, SHEET 2) [NOT AVAILABLE WITH -PCX]
B -PC4: POWER COMBO 4 (SEE FIG. 5, SHEET 4)
B -PC8: POWER COMBO 8 (SEE FIG. 5, SHEET 4) [PCX NOT AVAILABLE WITH -GP] [PCX AVAILABLE ON POSITIONS -026, -052 & -078 ONLY]

OPTION
 -A: ALIGNMENT PIN

* = NOT TOOLED
B ** = NOT RELEASED

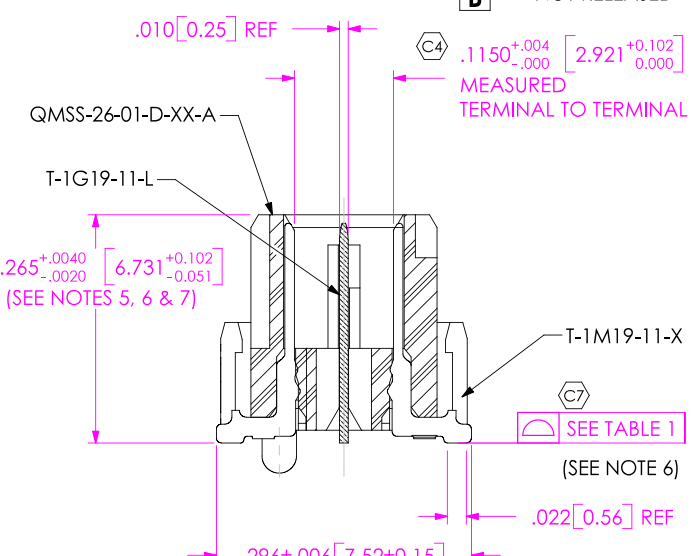
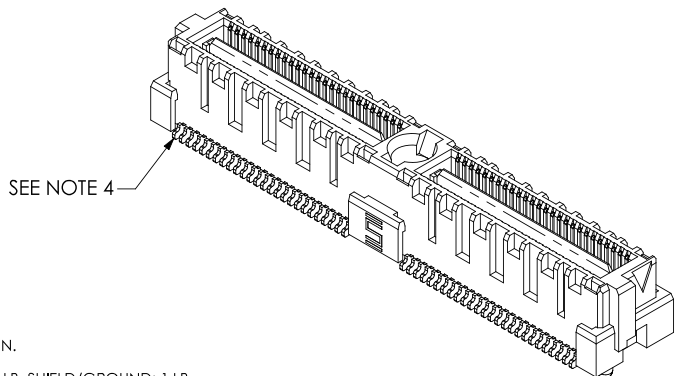


FIG. 1
 -11 LEAD STYLE
 (QMS-052-11-X-D-A SHOWN)
 (MATED HEIGHT WITH QFS-01: .433 [11.00] REF)

TABLE 1		
No OF POSITIONS	No OF BANKS	COPLANARITY
-026 THRU -078	1 THRU 3	.004[.10]
-104 AND -130	4 AND 5	.006[.15]



- NOTES:
- ① REPRESENTS A CRITICAL DIMENSION.
 - BURR ALLOWANCE: .0015 MAX.
 - MINIMUM PUSHOUT FORCE: SIGNAL: .5 LB, SHIELD/GROUND: 1 LB.
 - ALL TERMINALS FOR THE QMS WILL BE SHEARED.
 - MAX VARIANCE OF .002.
 - DIMENSION APPLIES TO CONTACTS & GROUND PLANE.
 - GROUND PLANE PRESS HEIGHT MUST BE .003[.08] LESS THAN THE MAX HEIGHT OR .001[.03] GREATER THAN THE MINIMUM HEIGHT OF THE TERMINALS.

UNLESS OTHERWISE SPECIFIED, DIMENSIONS ARE IN INCHES.
 TOLERANCES ARE:
 DECIMALS ANGLES
 .XX: ±.01 [.3] 2°
 .XXX: ±.005 [.13]
 .XXXX: ±.0020 [.051]

PROPRIETARY NOTE
 THIS DOCUMENT CONTAINS INFORMATION CONFIDENTIAL AND PROPRIETARY TO SAMTEC, INC. AND SHALL NOT BE REPRODUCED OR TRANSFERRED TO OTHER DOCUMENTS OR DISCLOSED TO OTHERS OR USED FOR ANY PURPOSE OTHER THAN THAT WHICH IT WAS OBTAINED WITHOUT THE EXPRESSED WRITTEN CONSENT OF SAMTEC, INC.

MATERIAL: DO NOT SCALE DRAWING SHEET SCALE: 2.5:1
 INSULATOR: INSULATOR: LCP, COLOR: BLACK
 TERMINAL & GROUND PLANE: PHOS BRONZE



SAMTEC

520 PARK EAST BLVD, NEW ALBANY, IN 47150
 PHONE: 812.944.6733 FAX: 812.948.5047
 e-Mail: INFO@SAMTEC.COM CODE: 55322

DESCRIPTION:
 .635mm DOUBLE ROW TERMINAL STRIP
 DWG. NO.
QMS-XXX-XX-X-D-X-XXX
 BY: E.L.S. 6/09/2003 SHEET 1 OF 4

IN-PROCESS 1

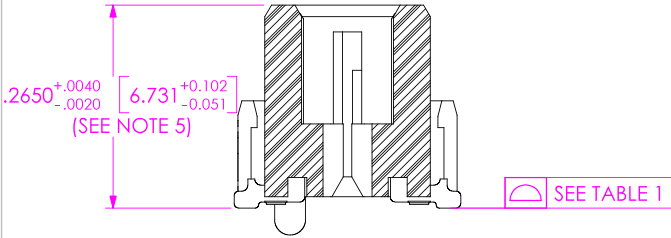
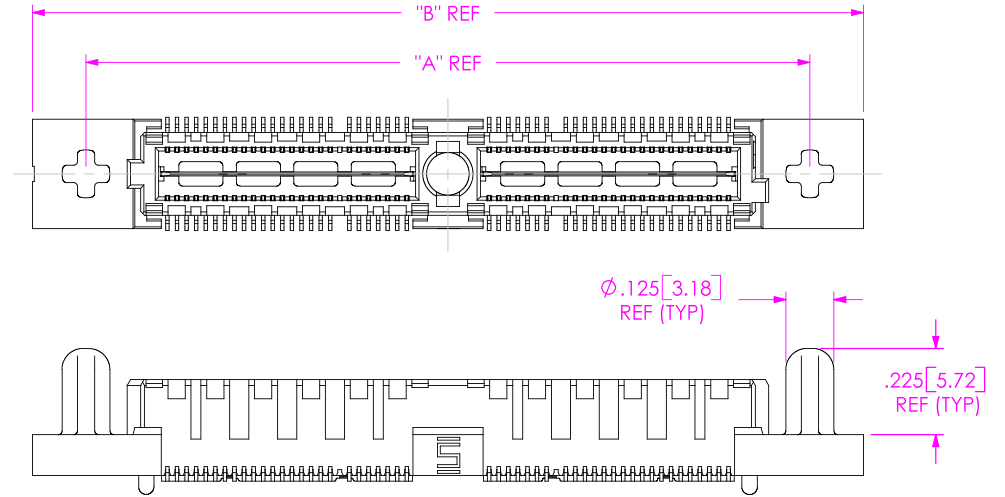


FIG. 3
-GP: GUIDE POST OPTION
(QMS-052-11-X-D-A-GP SHOWN)
[NOT RELEASED]



TERMINAL DETAILS

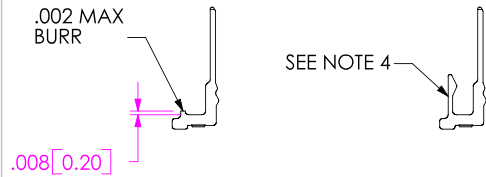
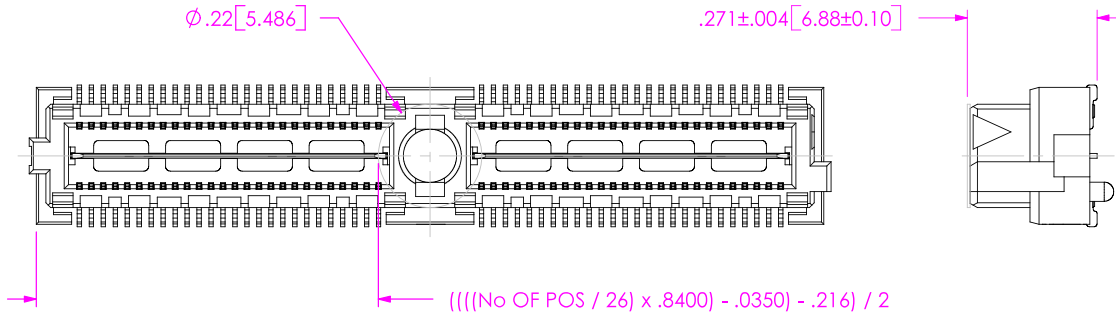


FIG. 2
-K: KAPTON PAD OPTION
(QMS-052-11-X-D-A-K SHOWN)



ASSEMBLY	"A"	"B"
QMS-026-01-X-D-A-GP	1.050[26.67]	1.330[33.78]
QMS-052-01-X-D-A-GP	1.890[48.00]	2.170[55.12]
QMS-078-01-X-D-A-GP	2.730[69.34]	3.010[76.45]
QMS-104-01-X-D-A-GP	3.570[90.68]	3.850[97.79]
QMS-130-01-X-D-A-GP	4.410[112.01]	4.690[119.13]

PROPRIETARY NOTE
THIS DOCUMENT CONTAINS INFORMATION CONFIDENTIAL AND PROPRIETARY TO SAMTEC, INC. AND SHALL NOT BE REPRODUCED OR TRANSFERRED TO OTHER DOCUMENTS OR DISCLOSED TO OTHERS OR USED FOR ANY PURPOSE OTHER THAN THAT WHICH IT WAS OBTAINED WITHOUT THE EXPRESSED WRITTEN CONSENT OF SAMTEC, INC.

DO NOT SCALE DRAWING

SHEET SCALE: 2.5:1

SAMTEC

520 PARK EAST BLVD, NEW ALBANY, IN 47150
PHONE: 812.944.6733 FAX: 812.948.5047
e-Mail: INFO@SAMTEC.COM CODE: 55322

DESCRIPTION:
.635mm DOUBLE ROW TERMINAL STRIP

DWG. NO.
QMS-XXX-XX-X-D-X-XXX

BY: E.L.S. 6/09/2003 SHEET 2 OF 4

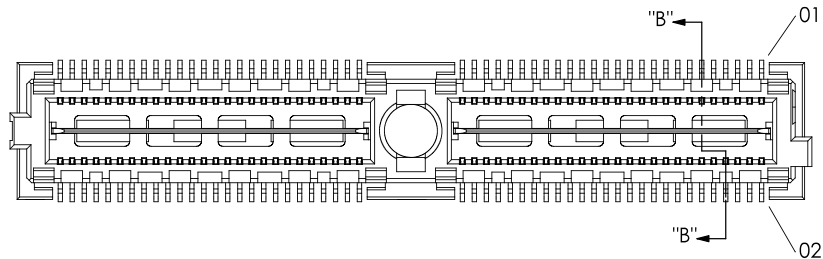
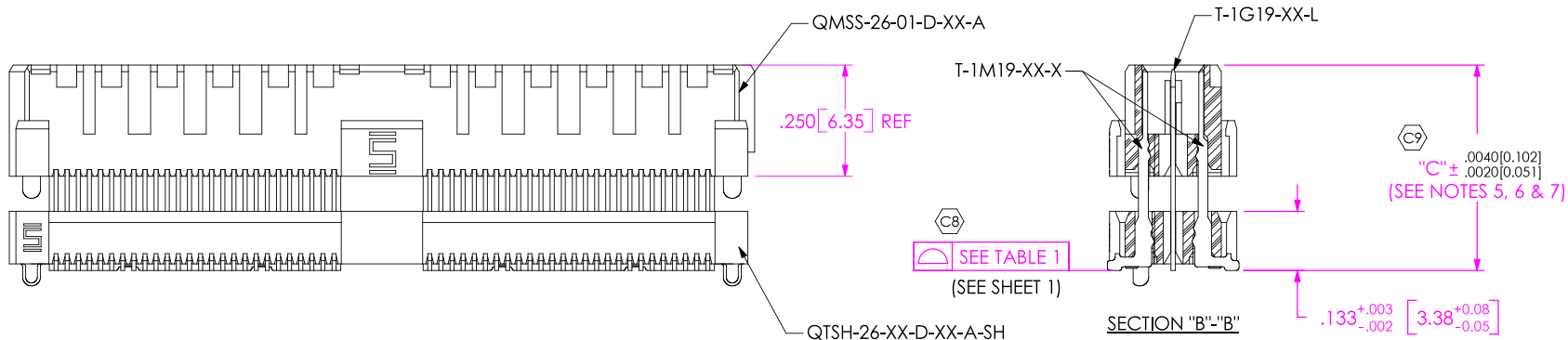
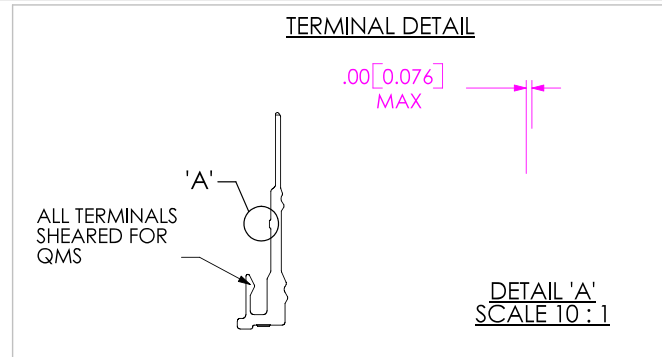


FIG. 4
 -16 & -25 LEAD STYLES
 (QMS-052-16-X-D-A SHOWN)
 (SAME AS FIG. 1, EXCEPT AS SHOWN)
 [NOT TOOLED]

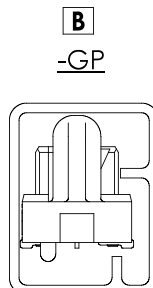
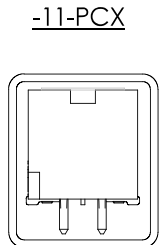
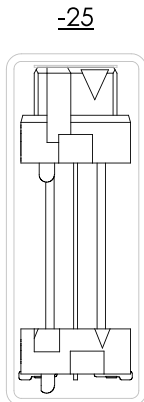
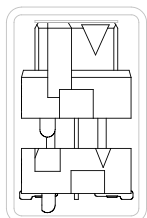
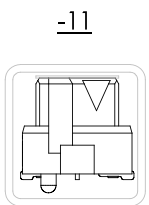


LEAD STYLE	"C"	TERMINAL	GROUND PLANE	BOTTOM SPACER BODY	MATED HEIGHT WITH QSS-01
* -16	.4620 [11.735]	T-1M19-16-X	T-1G19-16-X	QTSH-26-01-D-XX-A-SH	.630 [16.00] REF
* -25	.8160 [20.726]	T-1M19-25-X	T-1G19-25-X	QTSH-26-01-D-XX-A-SH	.984 [25.00] REF

* = NOT TOOLED

PACKAGING

[PARTS TO HAVE POSITION #1 LOADED IN SAME DIRECTION AS ARROW ON TUBE]



TUBE: PT-1-24-01-128
 PLUG: TP-09

TUBE: PT-1-24-02-128
 PLUG: TP-09

TUBE: PT-1-24-03-128
 PLUG: TP-09

TUBE: PT-1-24-01-127
 PLUG: TP-03

TUBE: PT-1-24-01-123
 PLUG: TP-09

B

F:\DWG\MISC\MKTG\QMS-XXX-XX-X-D-X-XXX-MKT.SLDDRW.SLDDRW

PROPRIETARY NOTE

THIS DOCUMENT CONTAINS INFORMATION CONFIDENTIAL AND PROPRIETARY TO SAMTEC, INC. AND SHALL NOT BE REPRODUCED OR TRANSFERRED TO OTHER DOCUMENTS OR DISCLOSED TO OTHERS OR USED FOR ANY PURPOSE OTHER THAN THAT WHICH IT WAS OBTAINED WITHOUT THE EXPRESSED WRITTEN CONSENT OF SAMTEC, INC.

DO NOT SCALE DRAWING

SHEET SCALE: 2.5:1

SAMTEC

520 PARK EAST BLVD, NEW ALBANY, IN 47150
 PHONE: 812.944.6733 FAX: 812.948.5047
 e-Mail: INFO@SAMTEC.COM CODE: 55322

DESCRIPTION:

.635mm DOUBLE ROW TERMINAL STRIP

DWG. NO.

QMS-XXX-XX-X-D-X-XXX

BY: E.L.S.

6/09/2003

SHEET 3 OF 4

FIG. 5 -PCX OPTION

POWER COMBO OPTIONS
 QMS-052-11-X-D-PC4 SHOWN
 (SAME AS FIG. 1, UNLESS OTHERWISE STATED)
 [NOT AVAILABLE WITH -GP OPTION, AVAILABLE ON LEAD STYLE -11 ONLY]
 (AVAILABLE ON -026, -052 & -078 POSITIONS ONLY)

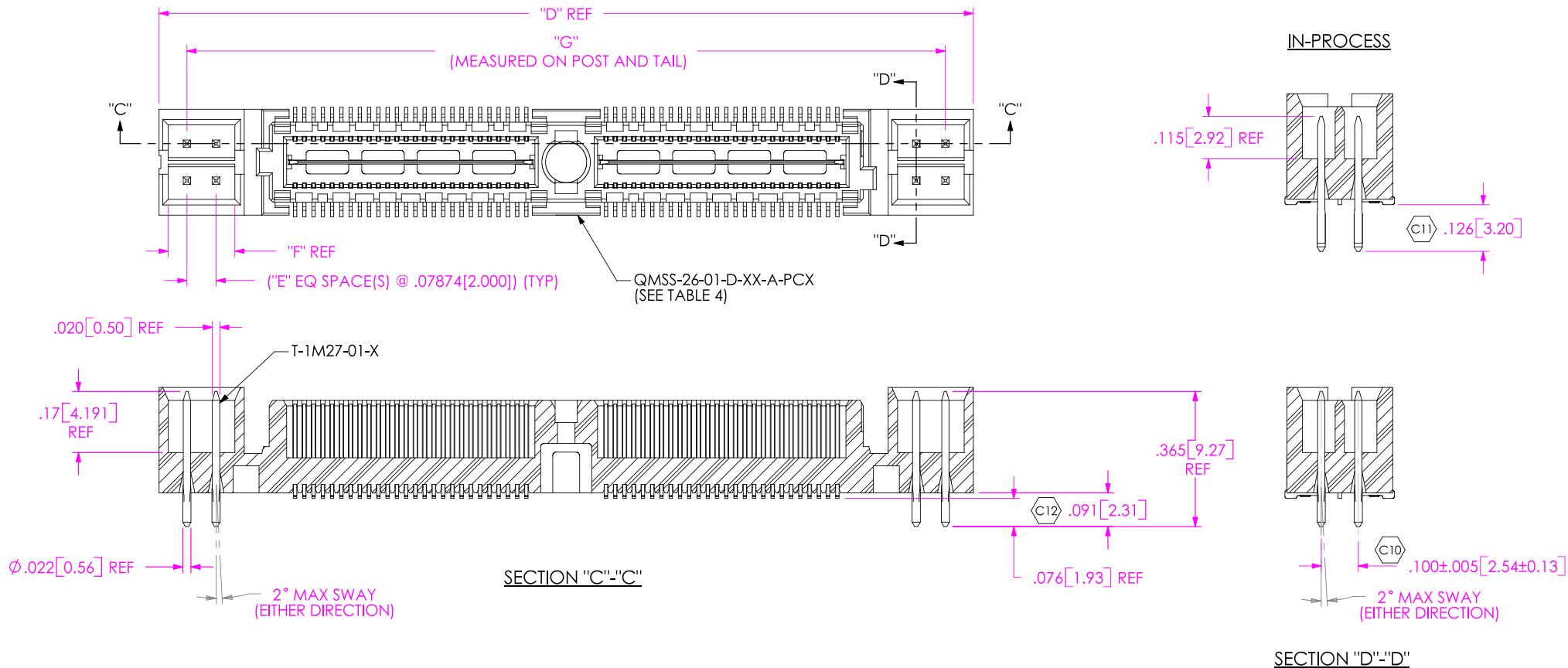


TABLE 4

ASSEMBLY	QMSS-26-01-D-XX-X-PCX	"D"	"E"	"F"	"G"
QMS-026-01-X-D-X-PC4	QMSS-26-01-D-01-X-PC4	1.360[34.54]	1	.180[4.57]	1.209[30.71]
QMS-026-01-X-D-X-PC8	QMSS-26-01-D-01-X-PC8	1.675[42.55]	3	.337[8.56]	1.524[38.71]
QMS-052-01-X-D-X-PC4	QMSS-26-01-D-02-X-PC4	2.200[55.88]	1	.180[4.57]	2.049[52.04]
QMS-052-01-X-D-X-PC8	QMSS-26-01-D-02-X-PC8	2.515[63.88]	3	.337[8.56]	2.364[60.05]
QMS-078-01-X-D-X-PC4	QMSS-26-01-D-03-X-PC4	3.040[77.22]	1	.180[4.57]	2.889[73.38]
QMS-078-01-X-D-X-PC8	QMSS-26-01-D-03-X-PC8	3.355[85.22]	3	.337[8.56]	3.204[81.38]

PROPRIETARY NOTE
 THIS DOCUMENT CONTAINS INFORMATION CONFIDENTIAL AND PROPRIETARY TO SAMTEC, INC. AND SHALL NOT BE REPRODUCED OR TRANSFERRED TO OTHER DOCUMENTS OR DISCLOSED TO OTHERS OR USED FOR ANY PURPOSE OTHER THAN THAT WHICH IT WAS OBTAINED WITHOUT THE EXPRESSED WRITTEN CONSENT OF SAMTEC, INC.

DO NOT SCALE DRAWING
 SHEET SCALE: 2.5:1

SAMTEC
 520 PARK EAST BLVD, NEW ALBANY, IN 47150
 PHONE: 812.944.6733 FAX: 812.948.5047
 e-Mail: INFO@SAMTEC.COM CODE: 55322

DESCRIPTION:
 .635mm DOUBLE ROW TERMINAL STRIP
 DWG. NO.
QMS-XXX-XX-X-D-X-XXX
 BY: E.L.S. 6/09/2003 SHEET 4 OF 4