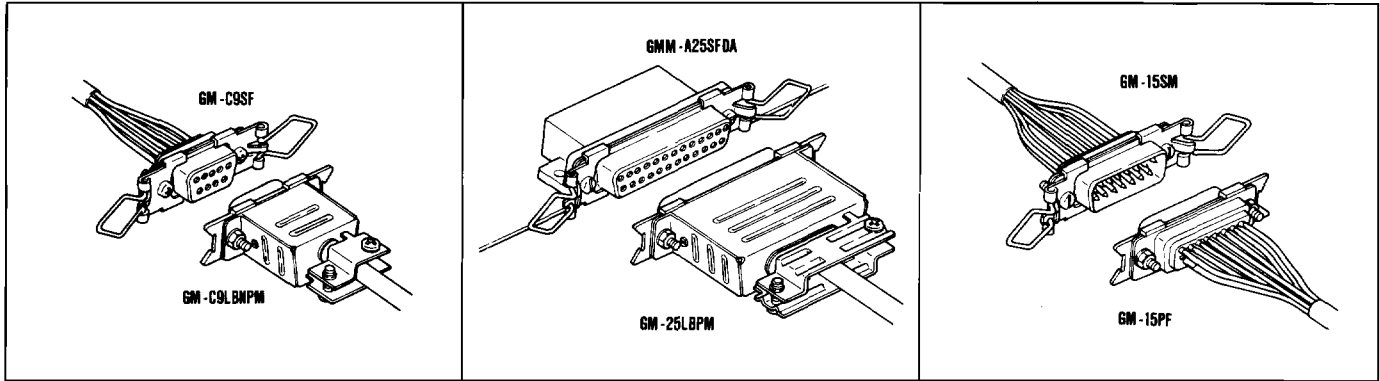
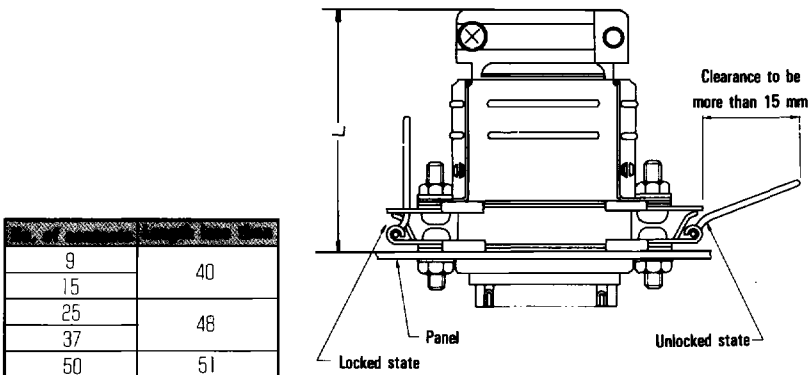
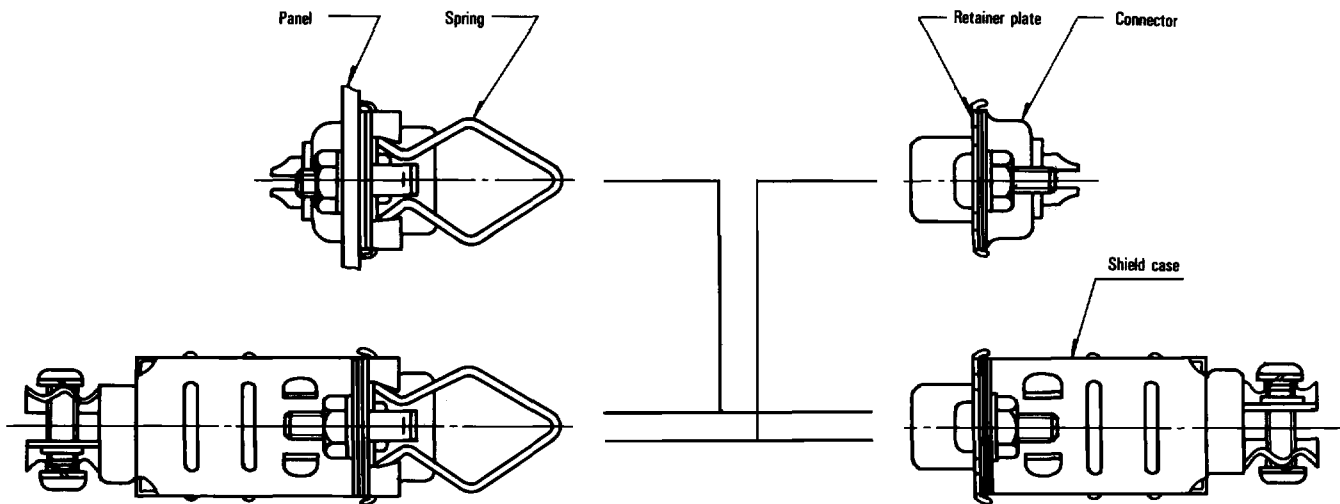


CONNECTOR WITH SPRING LOCKING ASSEMBLY



Combination of Connectors with Spring Locking Assembly



| | |
|----|----|
| 9 | 40 |
| 15 | 40 |
| 25 | 48 |
| 37 | 48 |
| 50 | 51 |

- Can be used for panel-to-cable and cable-to-cable connection.
- The spring and retainer plate should be ordered separately.
- Two each of the spring and retainer plate are required for one connector.
- Cannot be used for rear panel mounting.
- When locking the spring, pay attention to the connector mounting space.
- The fixing screw is also available in inch size (No. 4-40UNC) with Spring Locking Assembly

CONNECTOR WITH SPRING LOCKING ASSEMBLY

Ordering Information

Connector with shield case and spring lock

GM-C()LBNSM

① ② ③ ④ ⑤ ⑥

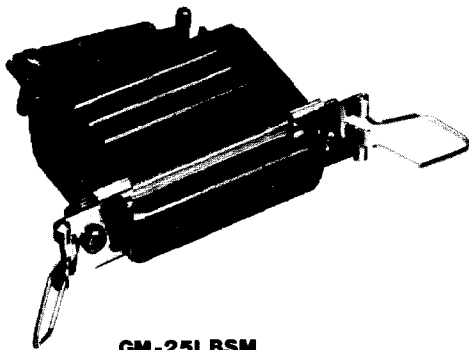
- ① **Series Prefix**
GM, GME, GMP
- ② **Plating on Shell**
Blank: Chromate coating over zinc plating
C: Nickel plating
- ③ **Number of Contacts:** 9, 15, 25, 37, 50
- ④ **Case**
LB: Chromate coating over zinc plating
LBN: Nickel plating
- ⑤ **Spring Lock**
- ⑥ **Connector Type**
M: Solder type male connector (GM series)
Solderless type male housing (GMP series)
F: Solder type female connector (GM & GME series)
Solderless type female housing (GMP series)

Connector with Spring Lock

GM-C()SM

① ② ③ ④ ⑤

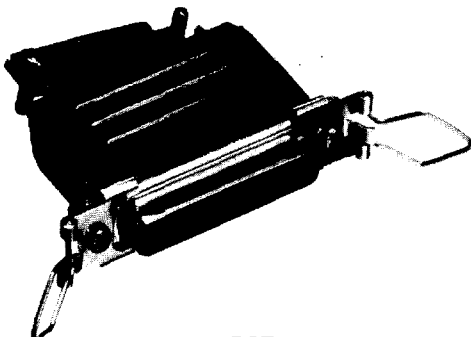
- ① **Series Prefix**
GM, GME, GMF, GMP, GMM
- ② **Plating on Shell**
Blank: Chromate coating over zinc plating
A: Chromate coating over zinc plating (for GMM)
C: Nickel plating
- ③ **Number of Contacts:** 9, 15, 25, 37, 50
- ④ **Spring Lock**
- ⑤ **Connector Type**
M: Solder type male connector (GM series)
Solderless type male housing (GMP series)
F: Solder type female connector (GM & GME series)
Solderless type female housing (GMP series)
MW: Wrapping type male connector (GM series)
FW: Wrapping type female connector (GM series)
MD: DIP type male connector (GM series)
FD: DIP type female connector (GM, GMF series)
BMDA4: Right angle A size male connector (GM series)
BFDA4: Right angle A size female connector (GM series)
BMDB6: Right angle B size male connector (GM series)
BFDB6: Right angle B size female connector (GM series)
MDA: Right angle A size male connector (GMM series)
FDA: Right angle A size female connector (GMM series)
MDB: Right angle B size male connector (GMM series)
FDB: Right angle B size female connector (GMM series)



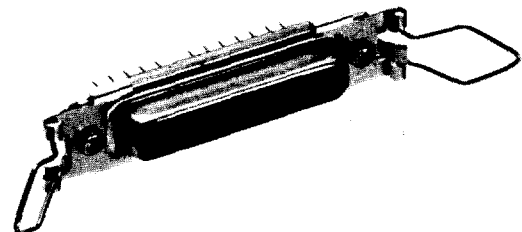
GM-25LBSM



GM-25SM



GM-25LBSF



GM-25SFD

Connector with Shield case and Retainer Plate
GM-C()LBNPNM

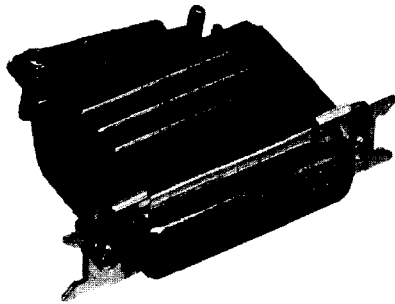
1 2 3 4 5 6

- 1 Series Prefix**
GM, GME, GMP
- 2 Plating on Shell**
Blank: Chromate coating over zinc plating
C: Nickel plating
- 3 Number of Contacts: 9, 15, 25, 37, 50**
- 4 Case**
LB: Chromate coating over zinc plating
LBN: Nickel plating
- 5 Retainer plate**
- 6 Connector Type**
M: Solder type male connector (GM series)
Solderless type male housing (GMP series)
F: Solder type female connector (GM & GME series)
Solderless type female connector (GMP series)

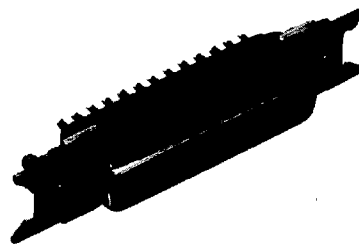
Connector with Retainer Plate
GM-C()PM

1 2 3 4 5

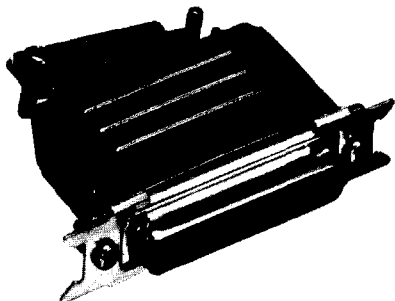
- 1 Series Prefix**
GM, GME, GMF, GMP, GMM
- 2 Plating on Shell**
Blank: Chromate coating over zinc plating
A: Chromate coating over zinc plating (for GMM)
C: Nickel plating
- 3 Number of Contacts: 9, 15, 25, 37, 50**
- 4 Retainer Plate**
- 5 Connector Type**
M: Solder type male connector (GM series)
Solderless type male housing (GMP series)
F: Solder type female connector (GMP & GME series)
Solderless type female housing (GMP series)
MW: Wrapping type male connector (GM series)
FW: Wrapping type female connector (GM series)
MD: DIP type male connector (GM series)
FD: DIP type female connector (GM & GMF series)
BMDA4: Right angle A size male connector (GM series)
BFDA4: Right angle A size female connector (GM series)
BMDB6: Right angle B size male connector (GM series)
BFDB6: Right angle B size female connector (GM series)
MDA: Right angle A size male connector (GMM series)
FDA: Right angle A size female connector (GMM series)
MDB: Right angle B size male connector (GMM series)
FDB: Right angle B size female connector (GMM series)



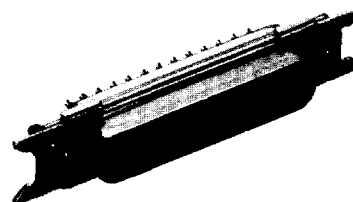
GM-25LBPM



GM-25PF



GM-25LBPF



GM-25PM