

# CD Series VHF/UHF Couplers

ERI CD Series VHF/UHF Adjustable Directional Couplers are designed and manufactured to cover 50 MHz to 860 MHz with a broad coupling range and corresponding directivity, all within one of the smallest packages in the broadcast industry. The coupling loop provides high accuracy in forward and/or reflected power measurements necessary for determining VSWR, component or system losses, line power, or other operations. Etched angle and penetration scales provide ease and accuracy in measuring coupling values across the FM/VHF/UHF frequency bands. Nominal Directivity is at least 30 dB and typical values of directivity can be significantly higher upon final adjustment. These couplers can be implemented in any of the standard coaxial line sizes. Single, dual, triple, and quad couplers are also available.

Saddle type field install couplers are also available with the same functionality and performance as the ERI CD Series VHF/UHF Adjustable Directional Couplers.

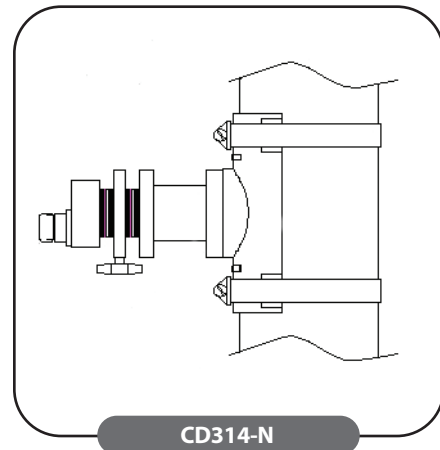
## Common Features

- -30 to -70 dB Coupling Range
- 1.03:1 or better VSWR
- 30 dB or better Directivity
- 50 to 860 MHz Frequency Range
- 50 ohms Impedance

## VHF / UHF Adjustable Directional Couplers

EIA Flange - Type N Female

Part Number	Connector Size	# of Ports
CD208-N	1-5/8" EIA, N Female	1
CD209-N	1-5/8" EIA, N Female	2
CD210-N	1-5/8" EIA, N Female	3
CD211-N	1-5/8" EIA, N Female	4
CD308-N	3-1/8" EIA, N Female	1
CD309-N	3-1/8" EIA, N Female	2
CD310-N	3-1/8" EIA, N Female	3
CD311-N	3-1/8" EIA, N Female	4
CD408-N	4-1/16", N Female	1
CD409-N	4-1/16", N Female	2
CD410-N	4-1/16", N Female	3
CD411-N	4-1/16", N Female	4
CD608-N	6-1/8" EIA, N Female	1
CD609-N	6-1/8" EIA, N Female	2
CD610-N	6-1/8" EIA, N Female	3
CD611-N	6-1/8" EIA, N Female	4



## VHF / UHF Saddle Type Field Install Couplers

Type N Female

Part Number	Coax Size	# of Ports
CD314-N	3-1/8"	1
CD414-N	4-1/16"	1
CD614-N	6-1/8"	1

