


286/287 Series - Square Base Time Delay Relay

SPDT - 3PDT, 10 Amp

 The 286 on delay and 287 off delay are square base, bladed versions of time delay relays. Both AC and DC versions are available. On delays can have up to three poles. The timing circuit is a fully encapsulated E13324 precision RC (resistor – capacitor) network typically used in applications where oscillators are not desired. Fixed time and externally adjustable versions are available. The package on this series is typically socket mounted. It can also be panel mounted allowing direct connections to terminals with quick-connects or soldering.

GENERAL SPECIFICATIONS (@ 25° C)

Timing:

Functions Available	On-delay, Off-delay
Time Range	Up to 300 seconds
Timing Adjustment	Knob
Timing Repeatability (Constant voltage and temperature)	3%
Reset Time maximum	150mS
Input Pulse Length minimum	50mS

Contacts:

Contact Configuration	SPDT, DPDT, 3PDT
Contact Material	Silver Alloy
Contact Rating	
120 / 240VAC Resistive	10 Amp / 10 Amp
28VDC Resistive	10 Amp
Motor 120VAC	1/3Hp
Motor 240VAC	1/2Hp
Minimum Contact Load	500mW
Contact Resistance, Initial	100 milliohms max @ 6VDC, 1A

Coil:

Coils Available	AC and DC
Nominal Coil Power	2.75VA 2W
Input Voltage Tolerance -AC	85% to 110% of nominal
Input Voltage Tolerance -DC	80% to 110% of nominal
Transient Protection	Yes
Reverse Polarity Protection	Yes
Duty	Continuous

Dielectric Strength:

Across Open Contacts	500Vrms
Between Mutually Insulated Points	1500Vrms
Insulation Resistance	1,000 Mohms min @ 500VDC

Temperature:

Operating	-20 to 70°C (-4 to 158°F)
Storage	-40 to 85°C (-40 to 185°F)

Life Expectancy:

Electrical (full load operations)	100,000
Mechanical (no load operations)	10,000,000

Miscellaneous:

Mounting Position	Any
Mating Socket	SK-SQB11-DS
Enclosure	Clear Polycarbonate
Weight	5.0oz (142 grams)



Timer / Sensor - Time Delay & Sensor Relays

5 - 25 Amp

Ordering Code 286 XAX C 001 F 120VAC

series

286 - On delay
287 - Off delay

Contact Arrangement

XAX (SPDT) - (1 form C)
XBX (DPDT) - (2 form C)
XCX (3PDT) - (3 form C)

Mounting Options

C - Plug-in
C1 - Bracket
CS1 - Top stud
C2 - Side tapped hole
CS2 - Side stud

Timing Ranges

0.1 - 1.0 Seconds - CODE 001
0.2 - 2.0 Seconds - CODE 002
1.0 - 10 Seconds - CODE 010
3.0 - 30 Seconds - CODE 033
6.0 - 60 Seconds - CODE 060
18 - 180 Seconds - CODE 180
30 - 300 Seconds - CODE 300

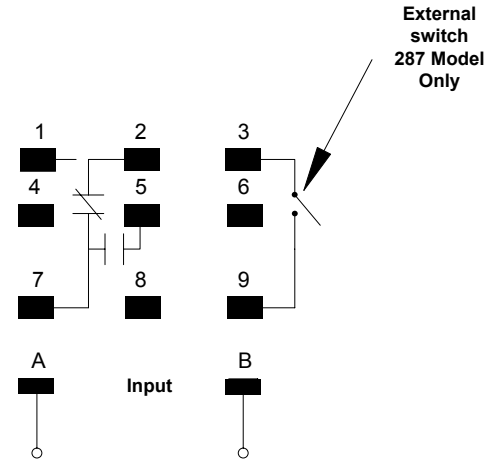
Adjustment Options

Adjustment knob - No CODE
Fixed - Specify fixed time - CODE F
Remote adjustment - CODE R

Operating Voltage

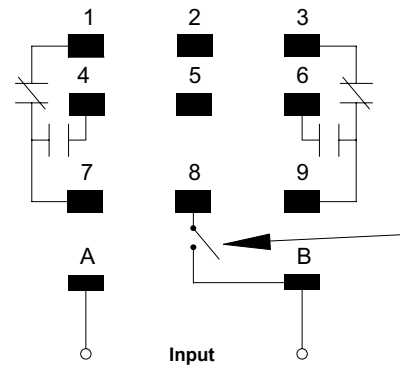
AC: 24, 48, 120, 240, (Add VAC)
DC: 12, 24, 48, 115-125 (Add VDC)

286/287 Wire Diagram



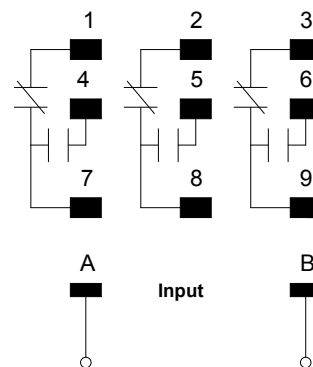
External switch
287 Model
Only

286XAX



External switch
287 Model
Only

**286XBX
287XBX**



**On delay
286XCX**

Section 7

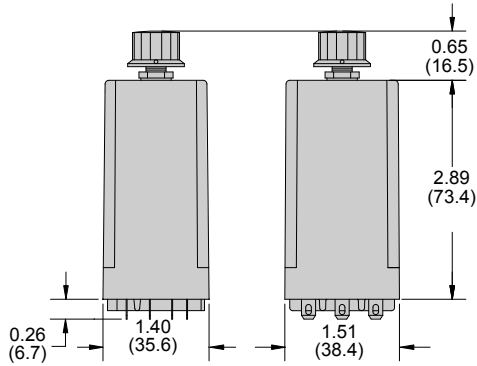
286/287 Series - Square Base Time Delay Relay

SPDT - 3PDT, 10 Amp

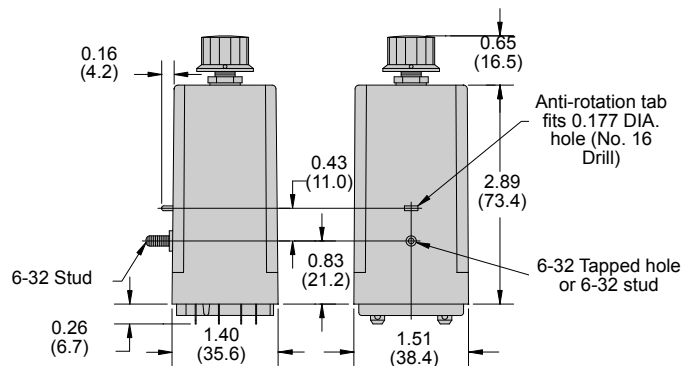
Outline Dimensions

Dimensions Shown in inches & (millimeters)

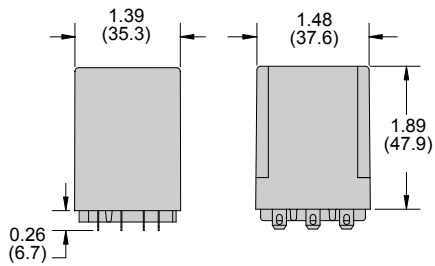
Plug-in, Adjustable Timing



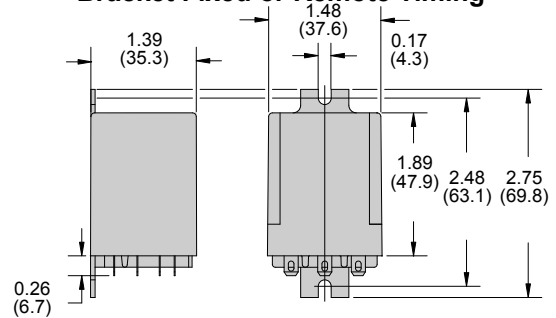
Side Stud or Tapped Hole, Adjustable Timing



Plug-in Fixed or Remote Timing



Bracket Fixed or Remote Timing



286 Series



Timer / Sensor - Time Delay & Sensor Relays

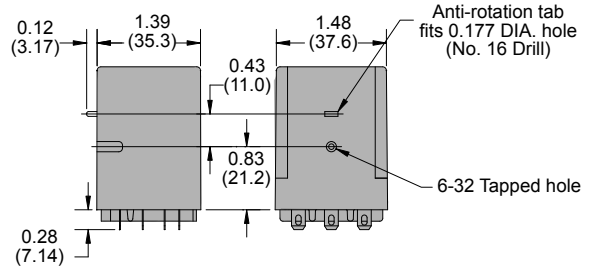
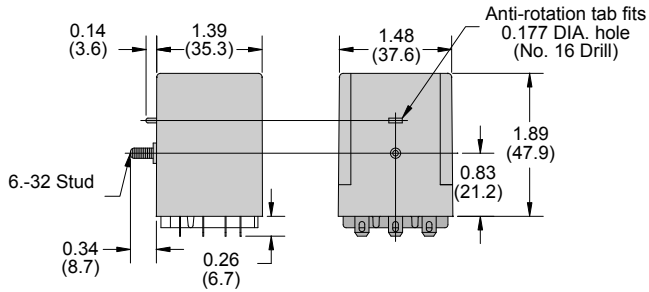
5 - 25 Amp

Outline Dimensions

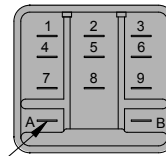
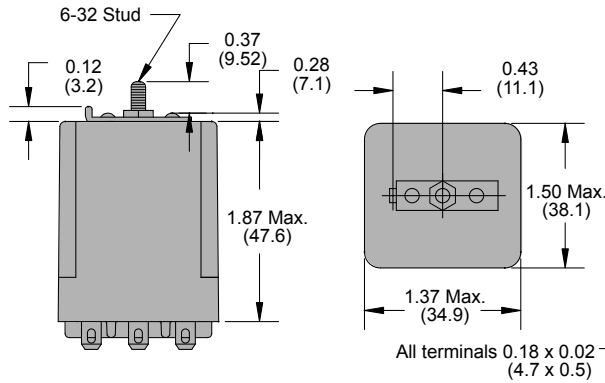
Dimensions Shown in inches & (millimeters)

Side Stud, Fixed or remote Timing

Side Tapped Hole, Fixed or Remote Timing



Top Stud Fixed or Remote Timing



Note:
Bracket & top stud not available with adjustable timing

287 Series

