

RG-59/RG-6 PLENUM TYPE CABLE CONNECTORS

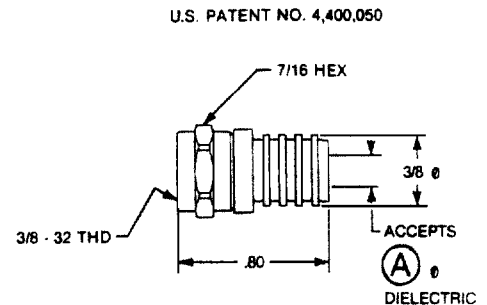
GF-AHP TYPE

Part Number (A) Dielectric Hex Crimp Size

GF-59-AHP/284	.15	.324
GF-59-AHP/312	.15	.324
GF-6-AHP/312	.19	.324
GF-6-AHP/328	.19	.384
NS-2856-37*	.19	.324

*left hand threads, .312 ID crimp ring

- The attached crimp ring provides excellent electrical shielding and mechanical retention
- The patented internal construction allows easier installation on plenum cables
- Brass body features annealed crimp ring for reliable crimp with no fracturing
- Cadmium with chromate conversion coating for good corrosion resistance
- Tin plating available as an option—add "-SN" to part number
- See Appendix, Figure 10, for cable trim dimension
- See page 63 for crimp tool selection

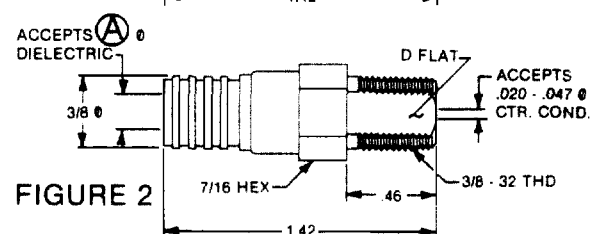
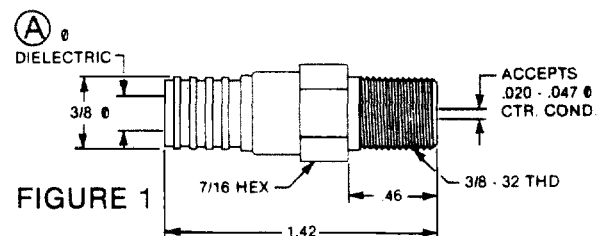


GF-★F-AHP TYPE

Part Number	Thread Flats	Figure	(A)	Finish
GF-59F-AHP/284	None	1	.15	Cadmium Chromate
GF-59F-AHP/284-SD	Single D	2	.15	Cadmium Chromate
GF-59F-AHP/284-DD	Double D	2	.15	Cadmium Chromate
GF-59F-AHP/284-DD-SN	Double D	2	.15	Tin
NS-3038-3*	Double D	2	.15	Chromate Conversion Coating
GF-6F-AHP/312	None	1	.19	Cadmium Chromate
GF-6F-AHP/312-SD	Single D	2	.19	Cadmium Chromate
GF-6F-AHP/312-DD	Double D	2	.19	Cadmium Chromate

*Left hand threads, .284 ID crimp ring

- Attached crimp ring provides excellent electrical shielding and mechanical retention
- The patented internal construction allows easier installation on Plenum cable
- Brass body and beryllium copper contact assure reliable electrical performance
- Bright acid tin plating on contact provides good electrical contact for many mating cycles
- Excellent for use in equipment where a cable passes through a panel
- Add -SN for bright acid tin plating
- See Appendix, Figure 2 or 3, for D flat panel cutout
- See Appendix, Figure 10, for cable trim dimensions
- Use .324 hex crimp (see page 63 for crimp tool selection)



GILBERT ENGINEERING CO., INC.

POST OFFICE BOX 23189
PHOENIX, AZ 85063-3189 USA

5310 W. CAMELBACK ROAD
GLENDALE, AZ 85301-7597 USA

TEL: 602-245-1050
TEL: 800-528-5567

FAX: 602-931-0684
FAX: 800-344-6358