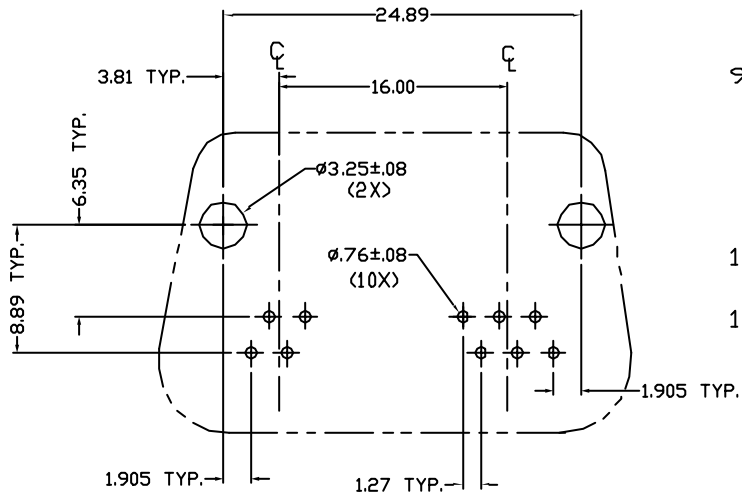
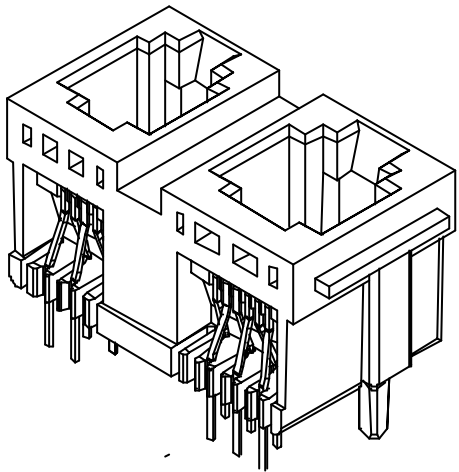


Tous droits strictement réservés. Reproduction ou communication à des tiers interdite sous quelque forme que ce soit sans autorisation écrite du propriétaire. Propriété de c FCI. Droits de reproduction FCI.

All rights strictly reserved. Reproduction or issue to third parties in any form whatever is not permitted without written authority from the proprietor. Property of FCI. Copyright FCI.



PCB FOOTPRINT LAYOUT

CPC	DIM "A"	POSITIONS LOADED		PACKAGING
		JACK A	JACK B	
FT600551LF	2.41	ALL	ALL	TUBE
FT600551	2.41	ALL	ALL	TUBE
FT600544LF	2.41	ALL	B2,B3,B4,B5	TUBE
FT600544	2.41	ALL	B2,B3,B4,B5	TUBE

NOTES:

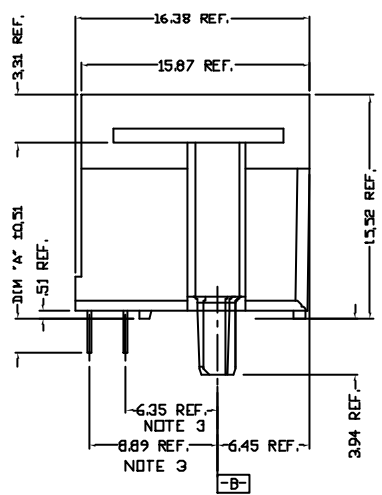
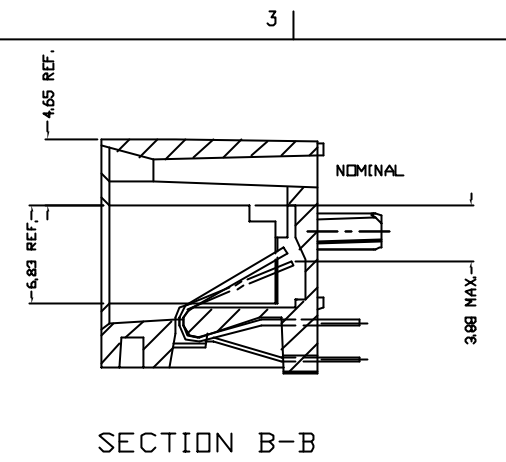
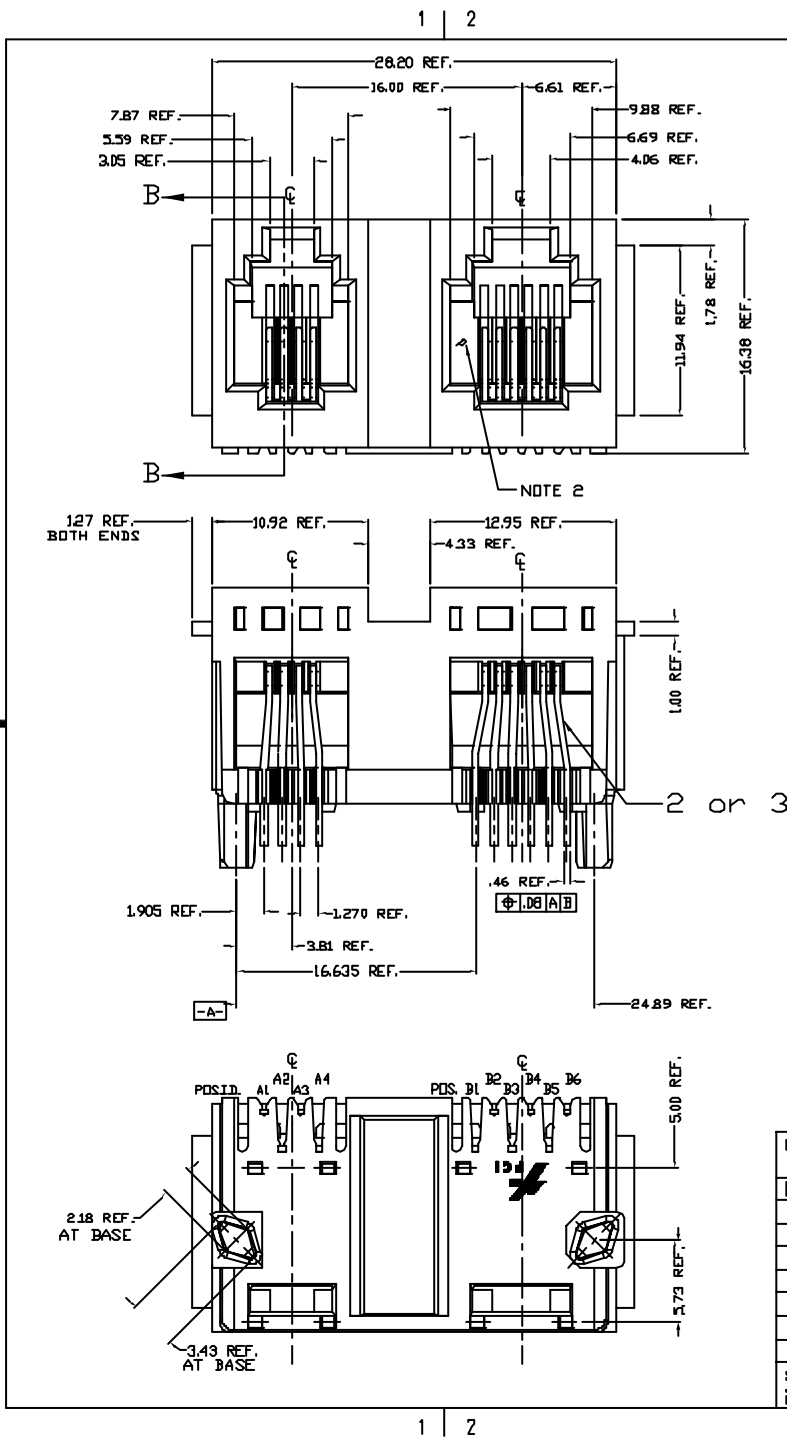
- 1) REGULATORY APPROVALS:
 - * RECOGNIZED TO U.S. AND CANADIAN REQUIREMENTS UNDER THE COMPONENT RECOGNITION PROGRAM OF Underwriters Laboratories Inc.
 - * CERTIFIED BY THE Canadian Standard Association.
- 2) INSIDE CAVITIES ARE CONFORMED WITH FCC RULES PART 68, SUBPART "F".
- 3) THESE DIMENSIONS APPLY OVER ENTIRE PROTRUDING HEIGHT OF THE TERMINAL.
- 4) HOUSING MATERIAL: HIGH TEMP. THERMOPLASTIC , COLOR - BLACK, UL94V-0.
- 5) CONTACT MATERIAL: PHOSPHOR BRONZE MATING AREA PLATING: Au OVER Ni SOLDER AREA PLATING: Sn/Pb OVER Ni.
- 6) THE JACKS WERE REPLACED BY "FG" OR "FT" DEPENDING OF PACKAGING METHOD (TUBE/GPAX).
- 7) THIS PRODUCT COVERED BY PRODUCT SPEC. GS-12-083.
- 8) MATES WITH FCC PART 68 PLUGS 4/4,6/6 FULLY LOADED - TOP ENTRY 4/4,6/6 SELECT LOADED - TOP ENTRY PRESS-FIT (STANDARD) RETENTION PEGS
- 9) THE HOUSING WILL WITHSTAND EXPOSURE TO 260°C PEAK TEMPERATURE FOR 5 SECONDS IN A WAVE SOLDER APPLICATION WITH A 1.60mm MIN THICK CIRCUIT BOARD. SLIGHT DEFORMATION MAY OCCUR FOR THE DIAMOND PEGS AT 260-265° C WHICH WILL NOT AFFECT THE FUNCTION OF THE PRODUCT.
- 10) PACKAGING OF LEAD FREE PRODUCTS MEETS LABELING AND PACKAGING SPECIFICATION GS-14-920.
- 11) LEAD FREE PRODUCTS MEET EUROPEAN UNION DIRECTIVES AND OTHER COUNTRY REGULATIONS AS DESCRIBED IN GS-22-008.

mat'l. code		tolerances unless otherwise specified		CUSTOMER COPY		 www.fciconnect.com		
ltr	ecn no	dr	date	linear	projection	title		
A	V20906	JRV	5/10/02		 mm	4/6 POSITIONS VERTICAL JACK ASSEMBLY		
B	105-0255	HVN	28/11/05	angles		product family	MOD JACK	code
				dr	J.R. VOLSTORF	4/30/02	size	dwg no
				enfr	J.R. VOLSTORF	4/30/02	A4	58110
				chr	Hiran V N	28/11/05		
				appd	K.Somasundaram	28/11/05	sheet 1 of 2	
sheet index	revision sheet	B	B					
		1	2					

cage code 22526

All rights strictly reserved. Reproduction or issue to third parties in any form whatever is not permitted without written authority from the proprietor. Property of FCI. Copyright FCI.

Tous droits strictement réservés. Reproduction ou communication à des tiers interdite sous quelque forme que ce soit sans autorisation écrite du propriétaire. Propriété de FCI. Droits de reproduction FCI.



ALL VIEWS ONLY DEPICT JACK FULLY LOADED

mat'l. code		tolerances unless otherwise specified		CUSTOMER COPY	 Electronics www.fciconnect.com	
ltr	ecn no	dr	date	linear	projection	title
A						4/6 POSITIONS VERTICAL JACK ASSEMBLY
B	105-0255	HVN	28/11/05	angles	TYP.	product family MOD JACK
				dr	J.R. VOLSTORF	4/30/02
				enfr	J.R. VOLSTORF	4/30/02
				chr	Hiran V N	28/11/05
				appd	K.Somasundaram	28/11/05
sheet index	revision sheet	B	2	scale	1:1	A4
				size	dwg no	58110
				code	code	22526
						2 of

ACAD

PDM: Rev:B

STATUS: Released

Printed: Dec 31, 2005