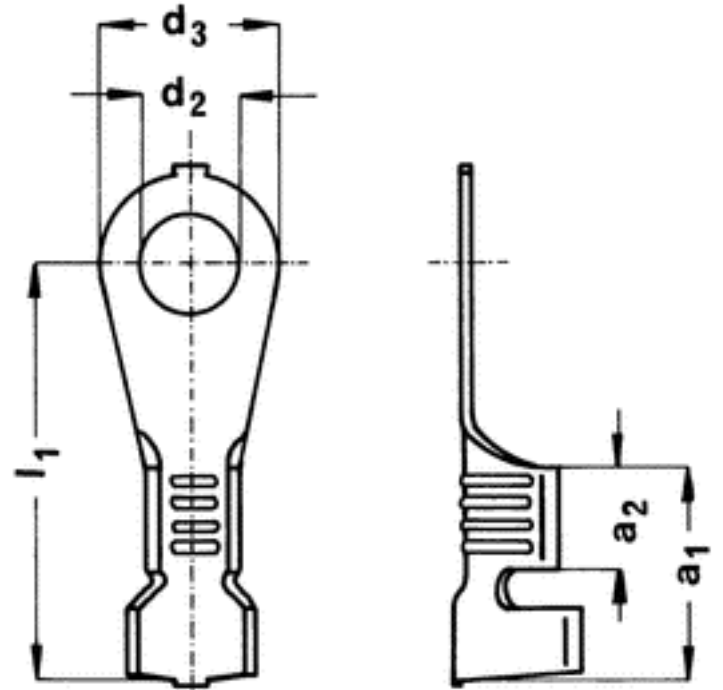




Characteristics and dimensions of terminals

Part number	25219.213.011
Specification	Claw terminal ring type
Material	CuSn
Surface / Colour	Sn 3
Form	Chain form
Transport	Longitudinal transport
Single part	X
Packing unit / piece	4000
Section area (mm ²)	1.00-2.50
DIN	ähnlich 46225 Form A
Nominal size	A6-2.5
Material thickness (mm)	0.60
a ₁	9.00
a ₂	4.50
d ₂	6.50
d ₃	12.00
l ₁	22.00



Note: The drawing only gives an overview of the geometry of the part. The crimp area is shown as supplied in strip form. A technical drawing is available on request.

[Contents of your inquiry](#)

Packing Units (per 4000 pieces)

CW