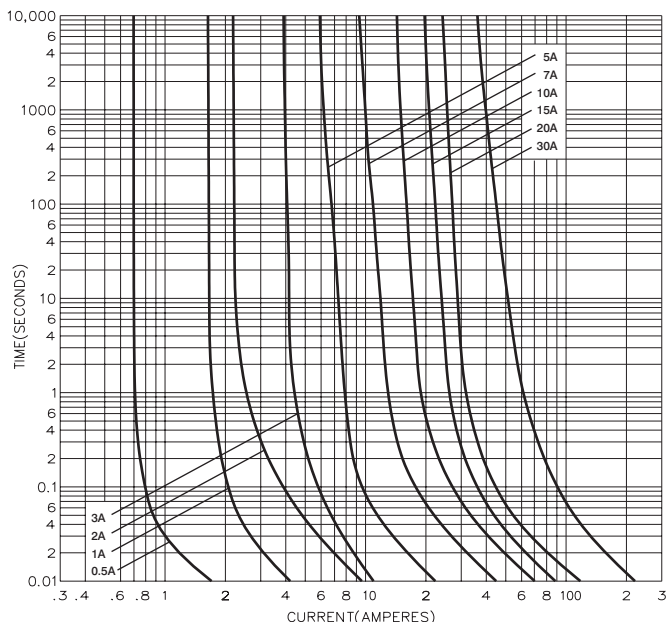


BS88 Joint Service Fuse Links

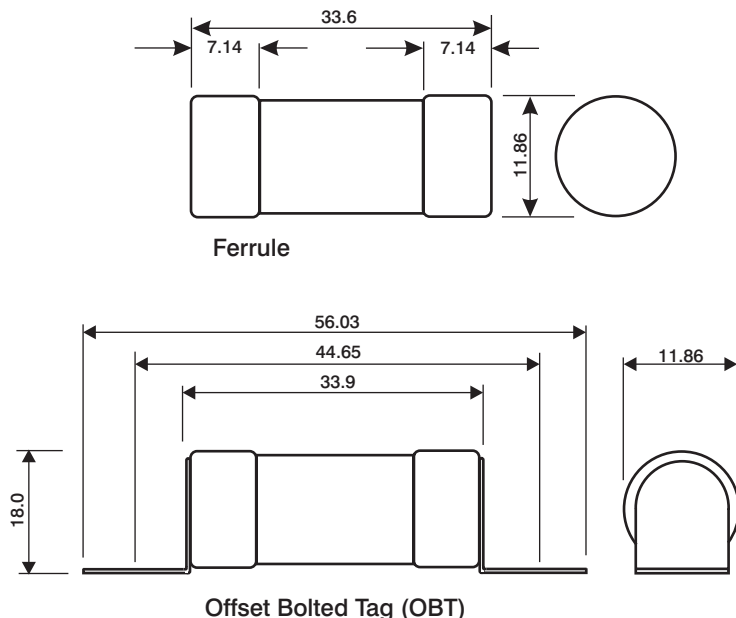
**Ferrule Type or Offset Bolted type Fuses 0.5 to 30 Amps 440V ac
Body Size '1'**

Time-Current Characteristic Curves



The range of Joint Service Fuse Links was originally developed for the Admiralty, but is now classified under the N.A.T.O. Reference system, Ref. Number 5920.99. The fuse links have been type approved and include short circuit tests to BS88, at 440 volts 33kA. Made to Defence Standard 59-96. The complete Joint Service range has been entered by Lloyd's Register of Shipping in their schedule 'A' cartridge fuses for use in all types of ships. Whilst intended for use by the Services, the fuse links are also suitable for normal industrial applications, being especially useful wherever space is at a premium, e.g. In the electronic, aeronautical and allied industries. Packaging - 25 per carton Ferrule end; 20 per carton with Offset Bolted Tag.

Dimensional Data (mm)



Fuse Type and Ordering Code	Rating Amps	End Cap	I ² t (Amp ² Seconds)		Nom. Watts Loss
			Pre-Arcing	Total at 440V	
059-0140	0.5	Fer	0.0283	0.0566	1.58
059-0141	1	Fer	0.169	0.3370	2.65
059-0142	2	Fer	0.939	1.88	1.11
059-0143	3	Fer	1.66	3.33	1.70
059-0144	5	Fer	5.26	10.5	3.15
059-0145	7	Fer	20.2	40.4	2.88
059-0146	10	Fer	49.3	148	2.02
059-0147	15	Fer	84.1	252	2.42
011-9843	20	Fer	135	404	3.70
059-0114	0.5	OBT	0.0283	0.0566	1.58
059-0115	1	OBT	0.169	0.337	2.65
059-0116	2	OBT	0.939	1.88	1.11
059-0117	3	OBT	1.66	3.33	1.7
059-0118	5	OBT	5.26	10.5	3.15
059-0119	7	OBT	20.2	40.4	2.88
059-0120	10	OBT	49.3	148	2
059-0121	15	OBT	84.1	252	2.42
011-9679	20	OBT	135	404	3.7
012-0140	30	OBT	539	1,620	4.71



Bussmann Division
Cooper (U.K.) Ltd
 Burton-on-the-Wolds
 Leicestershire, LE12 5TH
 United Kingdom
 Tel: (44) (0)1509 88 27 37
 Fax: (44) (0)1509 88 27 86

This bulletin is intended to clearly present comprehensive product data and provide technical information that will help the end user with design applications. Bussmann reserves the right, without notice, to change design or construction of any products and to discontinue or limit distribution of any products. Bussmann also reserves the right to change or update, without notice, any technical information contained in this bulletin. Once a product has been selected, it should be tested by the user in all possible applications.

Head Office
 St. Louis, MO, U.S.A. Tel: (314) 527-3877 Fax: (800) 544-2570 International Fax: (314) 527-1445



Bussmann Information Fax (00 1) 314 527 1450