

RED INDICATES ORIGINAL

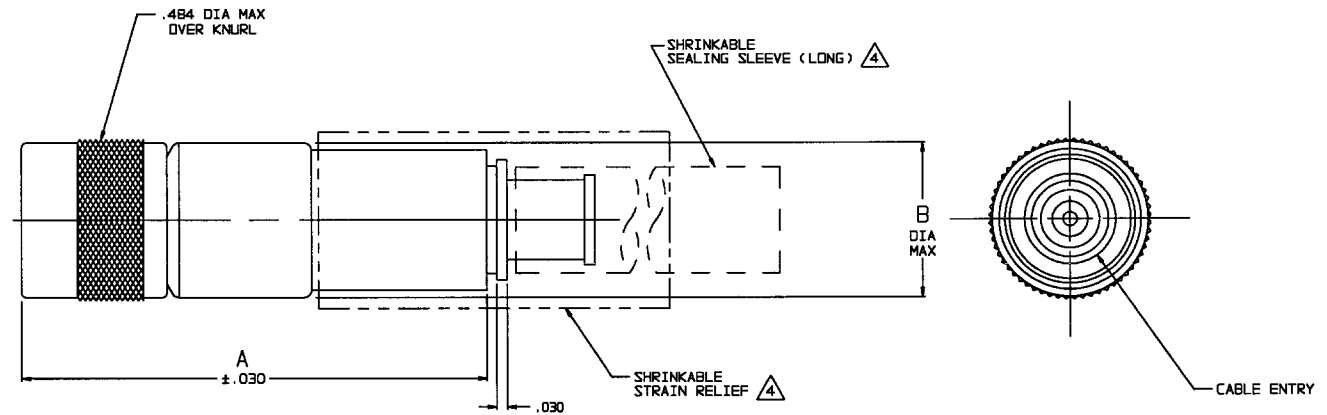
DASH NO	CABLES ACCOMMODATED	A DIM	B DIA	C HEX	ASSEMBLE PER
-201	M17/176-00002	1.116	.339	.255	TAI-143
-202	TWC-7B-1				
-203	TWC-124-1A				
-204	10B02, RAYCHEM				
-205	TWAC-7B-1F2	1.322	.442	.344	TAI-167
-206	782600130, RAYCHEM				
-207	83310 BELDEN	1.116	.339	.255	TAI-143
-208	202-3927 MICRODOT				
-209	202-3942 MICRODOT				
-210	8451 BELDEN				
-211	202-3934 MICRODOT	1.322	.442	.344	TAI-144
-212	2524E0114, RAYCHEM				
-213	TWC-7B-2				
-214	TWC-124-2				
-215	BL-982 TIMES	1.116	.339	.255	TAI-143
-216	BL-1242 TIMES				
-217	GC875TM24H, GRUMMAN				
-218	EPD 22188B, RAYCHEM				
-219	252801114, RAYCHEM	1.322	.442	.344	TAI-144
-220	GC875RR1, GRUMMAN				
-221	10614, RAYCHEM				
-222	10613, RAYCHEM				
-223	HMS2-1149, HUGHES	1.116	.339	.255	TAI-143
-224	TWCP-124-3				
-225	PS685PL, PRIME STOCK	1.322	.442	.344	TAI-144
-225	PS685PL, PRIME STOCK				

DATA CONTAINED IN THIS DOCUMENT IS PROPRIETARY TO TROMPETER ELECTRONICS, INC. AND SHALL NOT BE DISCLOSED, COPIED OR USED FOR REPRODUCTION OR MANUFACTURE WITHOUT EXPRESS WRITTEN PERMISSION.

REVISIONS			310-0060	SH 1	
REV	ED	DESCRIPTION	DWN	APPROVED	DATE
L	12321	ADDED -224 & -225; SEE ECO	DBN	<i>Ben</i>	2/23/98

DASH NO	CABLES ACCOMMODATED	A DIM	B DIA	C HEX	ASSEMBLE PER
-301	GC875GC1, GRUMMAN	1.116	.339	.255	TAI-153
-302	GC875GB1, GRUMMAN				
-303	5022E5111, RAYCHEM				
-304	7528A5314, RAYCHEM	1.322	.442	.344	TAI-173
-305	M17/177-00001 295-3904 MICRODOT				
-306	TRC-50-2 M17/134-00002	1.116	.339	.255	TAI-153
-307	TRC-75-1				
-308	TRC-75-2				
-309	TRC-50-1				

INCH	MM
.005	0.13
.030	0.76
.255	6.48
.339	8.61
.344	8.74
.442	11.23
.484	12.29
1.00	25.40
1.116	28.35
1.25	31.75
1.322	33.58
1.75	44.45



-207 SHOWN

- 1 SHRINKABLE STRAIN RELIEF AND/OR SHRINKABLE SEALING SLEEVE SUPPLIED LOOSE AS FOLLOWS:
- CABLE GROUPS -207, -210 & -307:
 - 1 SHRINKABLE STRAIN RELIEF (1.00 LONG)
 - 1 SHRINKABLE SEALING SLEEVE (1.25 LONG)
 - CABLE GROUPS -201 THROUGH -206, -208, -209, -217 THROUGH -303 & -308
 - 1 SHRINKABLE SEALING SLEEVE (1.25 LONG)
 - CABLE GROUPS -211 THROUGH -216, -305, -306 & -308
 - 1 SHRINKABLE STRAIN RELIEF (1.75 LONG)
3. 3-LUG SUBMINIATURE CONCENTRIC TWINAX (4 PIECE ASSY) AND TRIAX (6 PIECE ASSY), FULL CRIMP CABLE PLUG
2. FINISH: TFS-1A (NICKEL)
1. ALL DIM ARE IN INCHES

6. EXAMPLE OF COMPLETE MODEL NO:
 PL155AC -201
 BASIC MODEL NO. CABLE GROUP DASH NO
5. EXAMPLE OF COMPLETE PART NO:
 310-0060 -201
 BASIC PART NO. CABLE GROUP DASH NO



QTY	DESCRIPTION	PART NUMBER	ITEM
TOL UNLESS SPECIFIED .10X ± .03 .300X ± .005 .0005X ANGLES	TROMPETER ELECTRONICS, INC.	PL155AC	
DWN DBN 2/13/98	MATERIAL	CODE IDENT	DRAWING NO.
CHK <i>Ben</i> 2/23/98		14949	310-0060
ENGR			REV L
NEXT ASSY	APPR <i>Ben</i> 2/23/98	SCALE 4/1	DATE 4-25-85 SHEET 1 OF 2