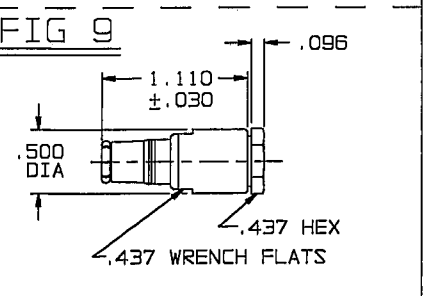
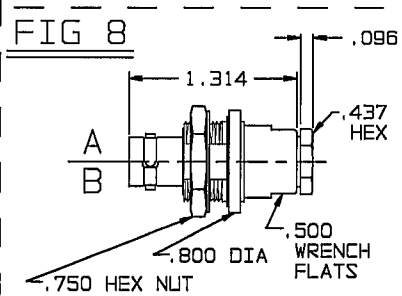
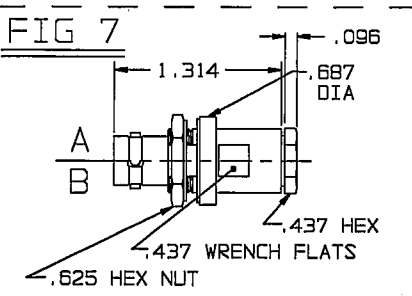
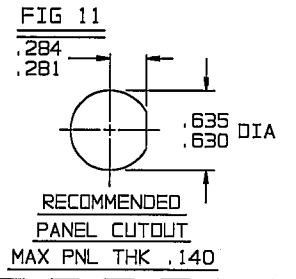
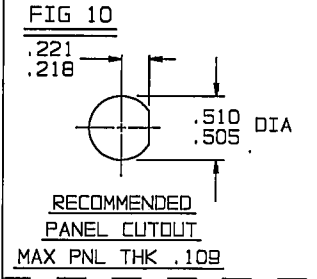
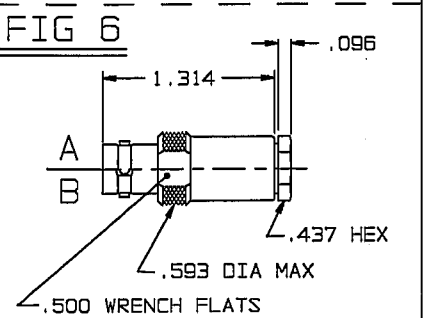
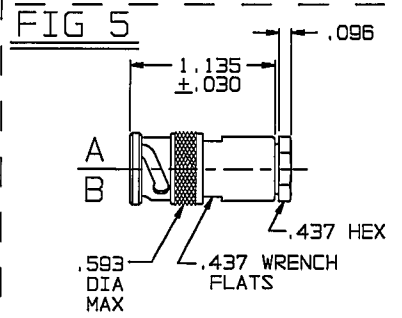
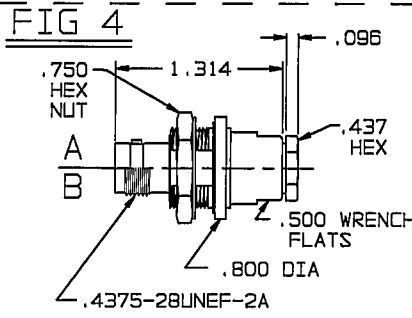
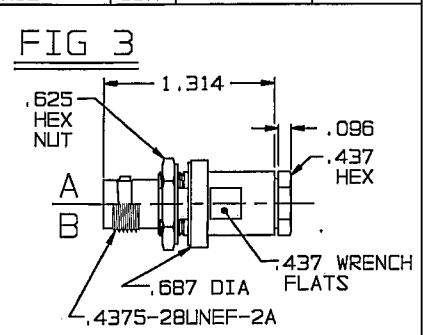
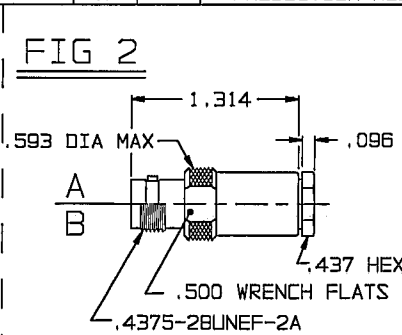
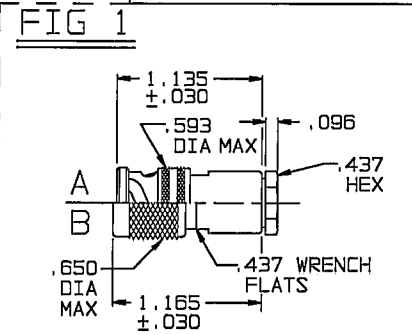


RED INDICATES ORIGINAL

DATA CONTAINED IN THIS DOCUMENT IS PROPRIETARY TO TROMPETER ELECTRONICS, INC. AND SHALL NOT BE DISCLOSED, COPIED OR USED FOR PROCUREMENT OR MANUFACTURE WITHOUT EXPRESS WRITTEN PERMISSION.

REV		EO	DESCRIPTION	305-1211		SH
A			PRODUCTION RELEASE	DWN	APPROVED	DATE
				DBN		

DASH NO	CONNECTOR TYPE	MATERIAL ⁴	ASSEMBLE PER	FIG	MTG HOLE FIG
-1	PL75	310-0002-23	TAI-189	1A	—
-2	CJ70	3-0043-23		2A	—
-3	BJ79	3-0018-23		3A	10
-4	BJ74	3-0055-23		4A	11
-5(S)	PL375(S)	315-0011-23		1B	—
-6(S)	CJ370(S)	3-0066-23		2B	—
-7(S)	BJ379(S)	3-0074-23		3B	10
-8(S)	BJ374(S)	3-0073-23		4B	11
-9	PL74	310-0025-23		5A	—
-10	CJ70TL	3-0217-23		6A	—
-11	BJ79TL	3-0112-23		7A	10
-12	BJ74TL	3-0105-23		8A	11
-13	PL75FL	310-0006-23		5B	—
-14	CJ70FL	3-0101-23		6B	—
-15	BJ79FL	3-0052-23		7B	10
-16	BJ74FL	3-0099-23		8B	11
-17	PL73	310-0038-23		9	—



⁵ EXAMPLE OF COMPLETE P/N: 305-1211-1 T S
 BASIC PART NO. TYPE DASH NO. —
 CONNECTOR —
 OPTIONAL SAFETY WIRE HOLE (-5 THRU -8 ONLY) —
 SEE NOTE ⁴

- ⁴ REPLACE CLAMP NUT 8-1580-23 WITH CLAMP NUT 8-1580-24
3. CONCENTRIC TWINAX/TRIAX, 2-LUG, 3-LUG, 4-LUG AND THREADED CABLE PLUGS/RECEPTACLES, INSULATED & NONINSULATED BULKHEAD MOUNT RECEPTACLES & PUSH-ON CABLE PLUGS FOR TIMES CABLE NO RT-316
 2. FINISH TFS-1A (NICKEL)
 1. ALL DIM ARE IN INCHES

³ POLARIZATION LETTER I.A.W MATERIAL CALL-OUT. NONE REQUIRED FOR STANDARD

QTY	DESCRIPTION	PART NUMBER	ITEM
TOL UNLESS SPECIFIED		TROMPETER ELECTRONICS, INC.	
.XX ±	.005		
.XXX ±	.005	"70" SERIES-RT-316	
.XXXX ±			
ANGLES ±			
DWN	DBN	4/3/98	MATERIAL
CHK	WM	4-6-98	CODE IDENT
ENGR			DRAWING NO.
APPR	FO	4/7/98	DATE
SCALE —		305-1211	REVISION
		A	
		SHEET 1 OF 1	