

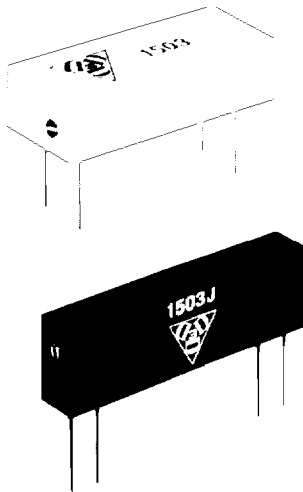
Trim-DIP Delay Lines

SERIES: 1503 & 1503J



Specifications:

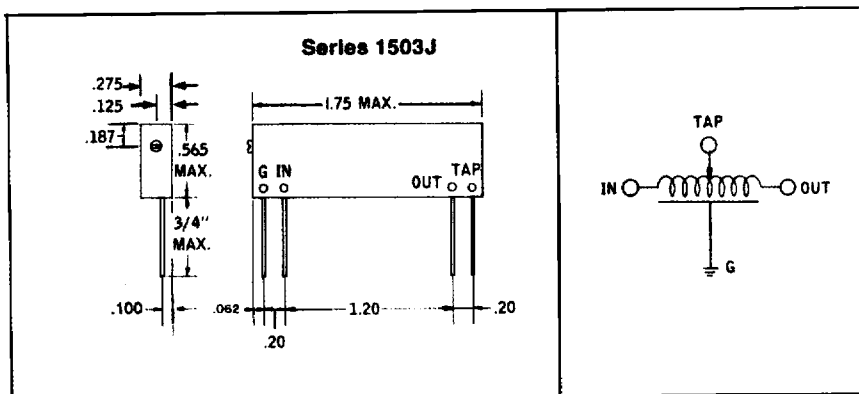
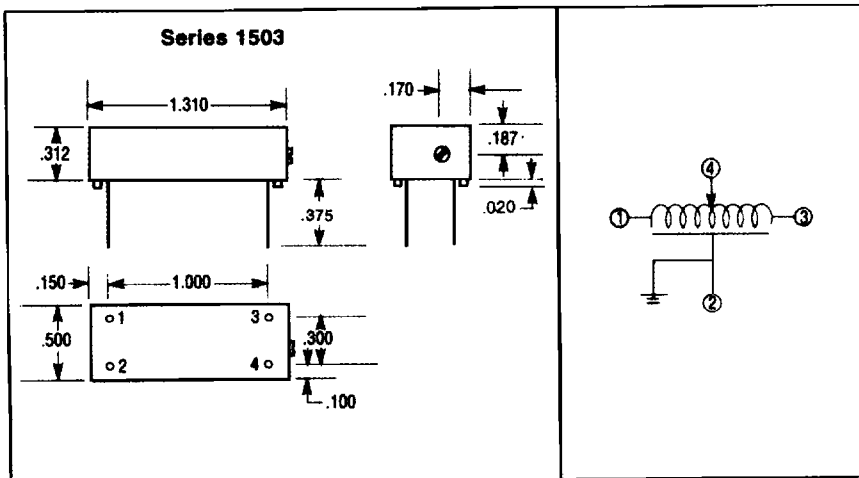
- Continuously variable delay.
- Multi-turn adjusting screw (40 turns approx.).
- Delay (see table).
- Impedance (see table).
- Rise-time (see table).
- Withstanding voltage: 50 Vdc.
- Temperature coefficient: 100 PPM/ C.
- Flat leads (.020 × .010).
- Resolution: .12 ns approx.



Series 1503J

Specifications: Same as 1503, except adjusting screw has 60 turns approximately.
#20 Gauge Leads

Part No.	Td (ns)	Imp. Ω	Rdc Ω	Tr (ns)
1503-15A	15	50	.7	3
1503-25A	25	50	.8	5
1503-30A	30	50	1.0	6
1503-40A	40	50	1.5	8
1503-50A	50	50	1.7	10
1503-60A	60	50	2.0	12
1503-80A	80	50	3.0	16
1503-100A	100	50	3.5	20
1503-15B	15	100	1.0	3
1503-30B	30	100	2.0	6
1503-50B	50	100	3.0	10
1503-60B	60	100	4.0	12
1503-80B	80	100	5.0	16
1503-100B	100	100	14.0	20
1503-120B	120	100	8.0	24
1503-140B	140	100	14.0	28
1503-160B	160	100	10.0	32
1503-200B	200	100	14.0	40
1503-30C	30	200	4.0	6
1503-60C	60	200	9.5	12
1503-100C	100	200	14.0	20
1503-20D	20	250	5.0	4
1503-20E	20	300	5.0	4
1503-30F	30	350	8.0	6
1503-25G	25	400	8.0	5
1503-40H	40	500	12.0	8



Part No.	Td (ns)	Imp. Ω	Tr (ns)	Rdc Ω
1503J-150A	150	50	22	5
1503J-250B	250	100	38	21
1503J-130C	130	200	20	21
1503J-30D	30	250	5	7
1503J-30E	30	300	5	7
1503J-40F	40	350	6	10
1503J-35G	35	400	6	10
1503J-60H	60	500	9	18

Contact us for specific requirements.
We customize.