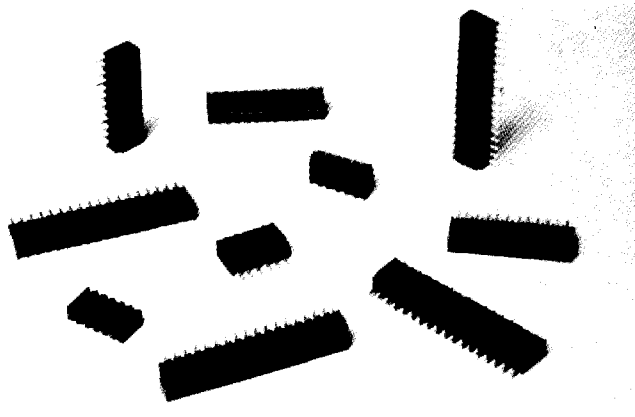


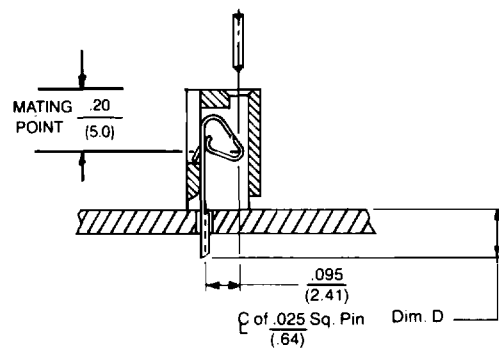
.100" (2.54 mm) Dip Solder Connector



1000 Series Vertical Mount (Straight)

A low cost approach to packaging for light or dense packaged P.C. board applications. Mates with 1100-1, 1100-3 series headers or .025 sq. pins stacked into P.C. boards.

Housing Material: Nylon 94V-0
Contacts: Copper Alloy



Section A-A

PART NUMBER CODING

100X - OXX - 2101

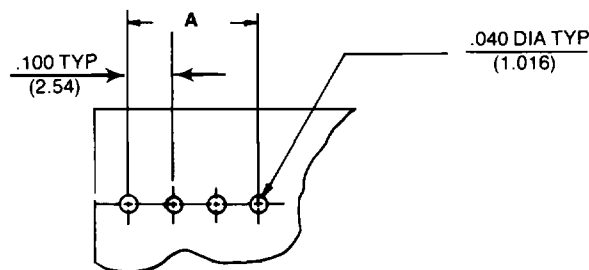
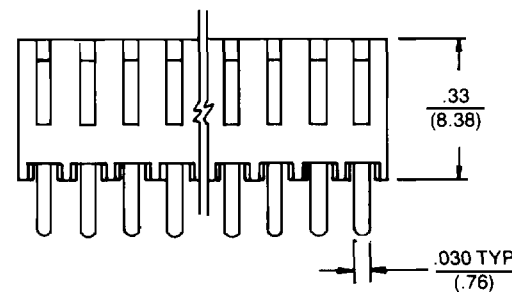
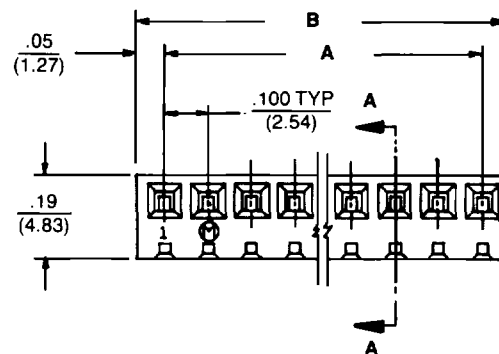
NUMBER OF POSITIONS
PLATING CODE

- 0 = TIN
- 8 = .000015 SELECTIVE GOLD

Pin Chart

PIN NUMBER	DIM D
01	.12 (3.05)

PART NUMBER	NO. OF POSITION	DIM A	"B" ±.010 (±.254)
100X-002-2101	2	.100 (2.54)	.200 (5.08)
100X-003-2101	3	.200 (5.08)	.300 (7.62)
100X-004-2101	4	.300 (7.62)	.400 (10.16)
100X-005-2101	5	.400 (10.16)	.500 (12.70)
100X-006-2101	6	.500 (12.70)	.600 (15.24)
100X-007-2101	7	.600 (15.24)	.700 (17.78)
100X-008-2101	8	.700 (17.78)	.800 (20.32)
100X-009-2101	9	.800 (20.32)	.900 (22.86)
100X-010-2101	10	.900 (22.86)	1.000 (25.40)
100X-011-2101	11	1.000 (25.40)	1.100 (27.94)
100X-012-2101	12	1.100 (27.94)	1.200 (30.48)
100X-013-2101	13	1.200 (30.48)	1.300 (33.02)
100X-014-2101	14	1.300 (33.02)	1.400 (35.56)
100X-015-2101	15	1.400 (35.56)	1.500 (38.10)
100X-016-2101	16	1.500 (38.10)	1.600 (40.64)
100X-017-2101	17	1.600 (40.64)	1.700 (43.18)
100X-018-2101	18	1.700 (43.18)	1.800 (45.72)
100X-019-2101	19	1.800 (45.72)	1.900 (48.26)
100X-020-2101	20	1.900 (48.26)	2.000 (50.80)
100X-021-2101	21	2.000 (50.80)	2.100 (53.34)
100X-022-2101	22	2.100 (53.34)	2.200 (55.88)
100X-023-2101	23	2.200 (55.88)	2.300 (58.42)
100X-024-2101	24	2.300 (58.42)	2.400 (60.96)
100X-025-2101	25	2.400 (60.96)	2.500 (63.50)
100X-026-2101	26	2.500 (63.50)	2.600 (66.04)
100X-027-2101	27	2.600 (66.04)	2.700 (68.58)
100X-028-2101	28	2.700 (68.58)	2.800 (71.12)



RECOMMENDED P.C. BOARD LAYOUT