

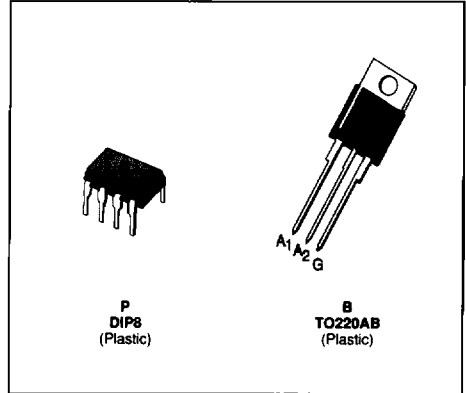
## AUTOMATIC VOLTAGE SWITCH (SMPS < 200W)

### CONTROLLER

- 50/60Hz FULL COMPATIBILITY
- INTEGRATED VOLTAGE REGULATOR
- TRIGGERING PULSE TRAIN OF THE TRIAC
- PARASITIC FILTER
- LOW POWER CONSUMPTION

### TRIAC

- HIGH EFFICIENCY AND SAFETY SWITCHING
- UNINSULATED PACKAGE : AVS08CB
- INSULATED PACKAGE 2500V(RMS) : AVS08CBI
- $V_{DRM} = \pm 500 \text{ V}$
- $I_T(\text{RMS}) : 5 \text{ A}$

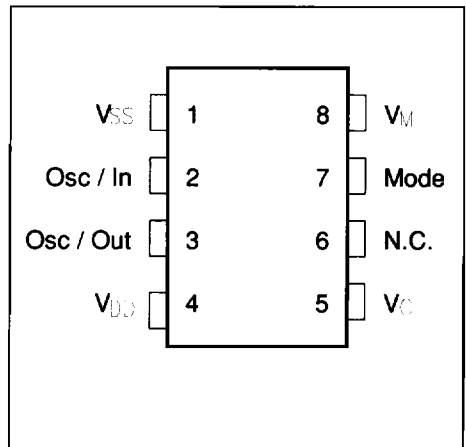


### DESCRIPTION

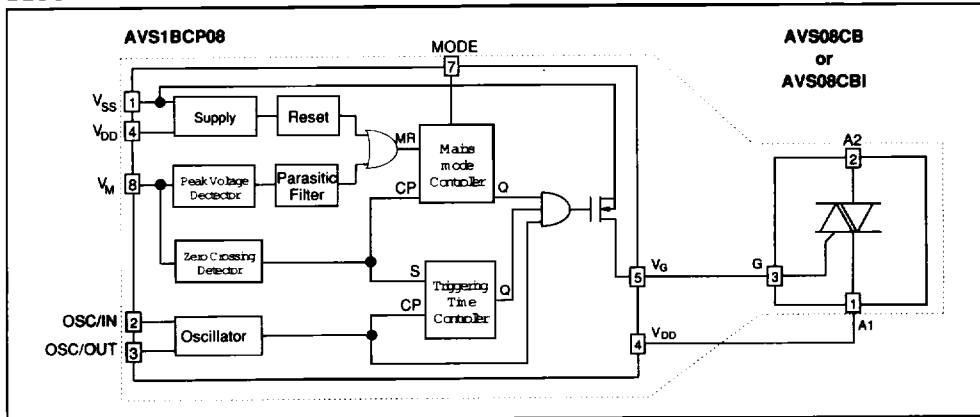
The AVS08 kit is an automatic mains selector (110/220V AC) to be used in SMPS < 200 W. It is composed of 2 devices :

- The **Controller** is optimized for low consumption and high security triggering of the triac. When connected to  $V_{SS}$ , the **mode** input activates an additional **option**. If the main power drops from 220V to 110V, the triac control remains locked to the 220V mode and avoids any high voltage spike when the voltage is restored to 220V. When connected to  $V_{DD}$ , the **mode** input deactivates this **option**.
- The **TRIAC** is specially designed for this application. An optimization between sensitivity and dynamic parameters of the triac gate highly reduces the losses of supply resistor and allows excellent immunity against disturbances.

### PIN CONNECTION



**BLOCK DIAGRAM**



**ABSOLUTE MAXIMUM RATINGS**

**CONTROLLER AVS1BCP08**

Symbol	Parameter	Value		Unit
		Min.	Max.	
VSS	Supply voltage	- 12	0.5	V
V <sub>I</sub> / V <sub>O</sub>	I / O voltage	V <sub>SS</sub> - 0.5	0.5	V
I <sub>I</sub> / I <sub>O</sub>	I / O current	- 40	+ 40	mA
T <sub>stg</sub>	Storage Temperature	- 60	+ 150	°C
T <sub>oper</sub>	Operating Temperature code " C " " T "	0 - 40	+ 70 + 105	°C

**TRIAC AVS08CB / AVS08CBI T<sub>j</sub> = +25°C (unless otherwise specified)**

Symbol	Parameter	Value	Unit	
V <sub>DRM</sub>	Repetitive peak off-state voltage (2)	± 500	V	
I <sub>T(RMS)</sub>	RMS on-state current (360° conduction angle)	AVS08CB T <sub>C</sub> = 100°C	5	A
		AVS08CBI T <sub>C</sub> = 95°C		
I <sub>TSM</sub>	Non repetitive surge peak on-state current (T <sub>j</sub> initial = 25°C)	t = 8.3ms t = 10ms	70 65	A
i <sub>2t</sub>	i <sub>2t</sub> value	t = 10ms	21	A <sup>2</sup> s
di/dt	Critical rate of rise of on-state current (1)	Repetitive F = 50Hz	20	A/μs
		Non Repetitive	100	
T <sub>stg</sub> T <sub>j</sub>	Storage Temperature Junction Temperature Range	- 40 + 125 - 10 + 125	°C	

(1) Gate supply : I<sub>G</sub> = 100mA - di/dt = 1A/μs

(2) T<sub>j</sub> = 125°C

## THERMAL RESISTANCES

TRIAC AVS08CB / AVS08CBI

Symbol	Parameter		Value	Unit
Rth (j-a)	Junction-to-ambient		60	°C/W
Rth (j-c) DC	Junction-to-case for DC	AVS08CB	5.4	°C/W
		AVS08CBI	6.3	
Rth (j-c) AC	Junction-to-case for 360° conduction angle ( F = 50Hz)	AVS08CB	4.0	°C/W
		AVS08CBI	4.7	

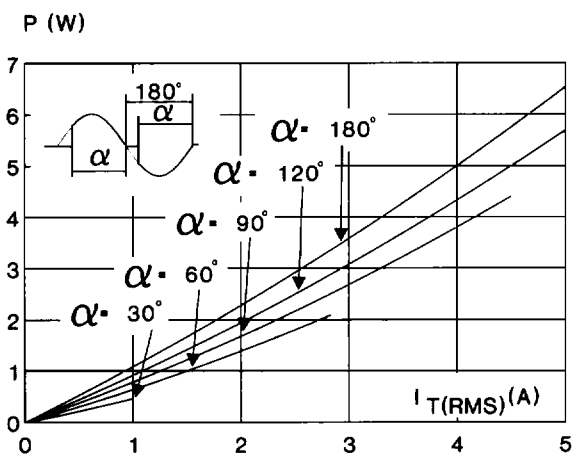
## DC GENERAL ELECTRICAL CHARACTERISTICS

TRIAC AVS08CB / AVS08CBI

Symbol	Parameter		Value		Unit
			Min.	Max.	
V <sub>TM</sub> *	I <sub>TM</sub> = 7A t <sub>p</sub> = 10ms	T <sub>J</sub> = 25°C		1.65	V
I <sub>DRM</sub> *	V <sub>DRM</sub> rated Gate open	T <sub>J</sub> = 25°C		10	μA

\* For either polarity of electrode A2 voltage with reference to electrode A1.

**Fig. 1** : Maximum RMS power dissipation versus RMS on-state current  
(F = 60Hz).  
(Curves are cut off by (di/dt)c limitation)



**DC GENERAL ELECTRICAL CHARACTERISTICS** (continued)

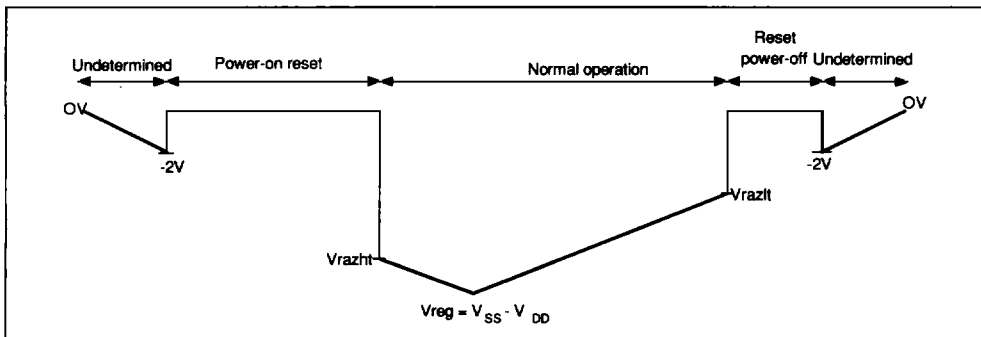
CONTROLLER AVS1BCP08  $T_{oper} = 25^{\circ}C$  (unless otherwise specified)

Symbol	Parameter	Value			Unit
		Min	Typ	Max	
V <sub>SS</sub> (pin 1) (V <sub>reg</sub> )	Shunt regulator	- 10	- 9	- 8	V
I <sub>SS</sub> (pin 1) (V <sub>reg</sub> ) (@ V <sub>SS</sub> = 9V)	Supply current	0.4		25	mA
I <sub>SS</sub> (pin 1) (@ triac gate non connected)	Quiescent current			1	mA
F (pin 3) (@ R = 91kΩ) (C = 100pF)	Oscillator frequency	42	44	46	KHz
V <sub>M</sub> (pin 8) V <sub>th</sub> (3)	Peak voltage of detection high-threshold	4.08	4.25	4.42	V
V <sub>M</sub> (pin 8) V <sub>h</sub> (3)	Peak voltage of detection hysteresis	0.370	0.4	0.420	V
(1) V <sub>M</sub> (pin 8) V <sub>th</sub> (3)	Zero-crossing detection high-threshold	95	110	125	mV
V <sub>M</sub> (pin 8) V <sub>h</sub> (3)	Zero-crossing detection hysteresis	20	30	40	mV
(2) V <sub>razht</sub> (4)	Power-on-reset activation threshold		V <sub>reg</sub> x 0.89		
(2) V <sub>razlt</sub> (4)	Power-down-reset activation threshold		V <sub>reg</sub> x 0.55		
Mode (pin 7)	V <sub>IL</sub> (4) V <sub>IH</sub> (4)	0.7 V <sub>reg</sub>		0.3 V <sub>reg</sub>	
V <sub>G</sub> (pin 5)	V <sub>OL</sub> (I <sub>VG</sub> = 25mA) Leakage current (V <sub>G</sub> = V <sub>DD</sub> )			1 + 50	V μA

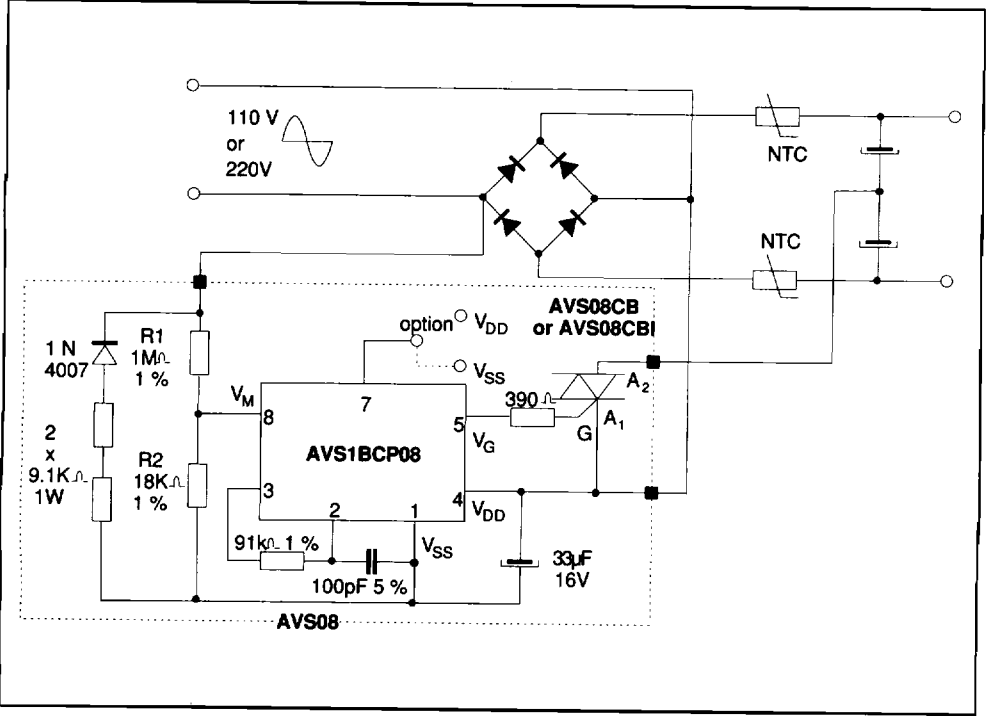
**NOTES :**

- (1) : This value gives a typical noise immunity on the zero-crossing detection of 110mV x 1018/18 = 6.20V on the main supply
- (2) : See following diagram
- (3) : Voltage referred to V<sub>SS</sub>
- (4) : Voltage referred to V<sub>DD</sub>

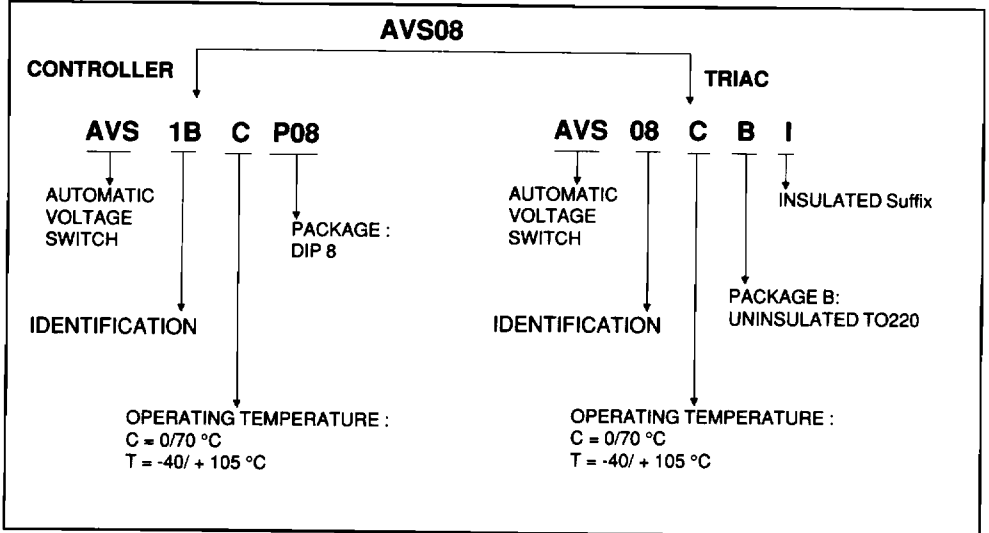
**POWER-ON AND POWER-OFF RESET BEHAVIOUR**



TYPICAL APPLICATION



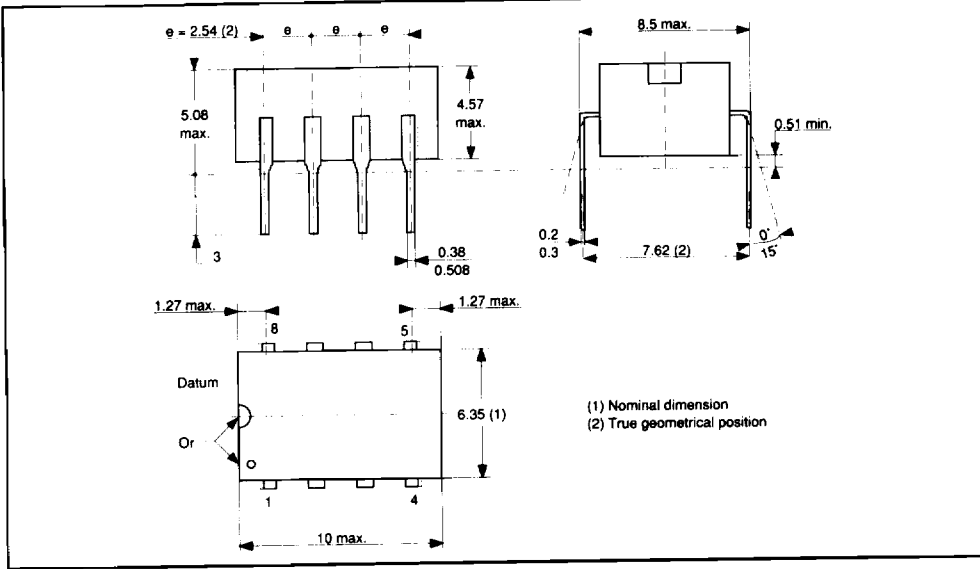
ORDERING INFORMATION



PACKAGE MECHANICAL DATA

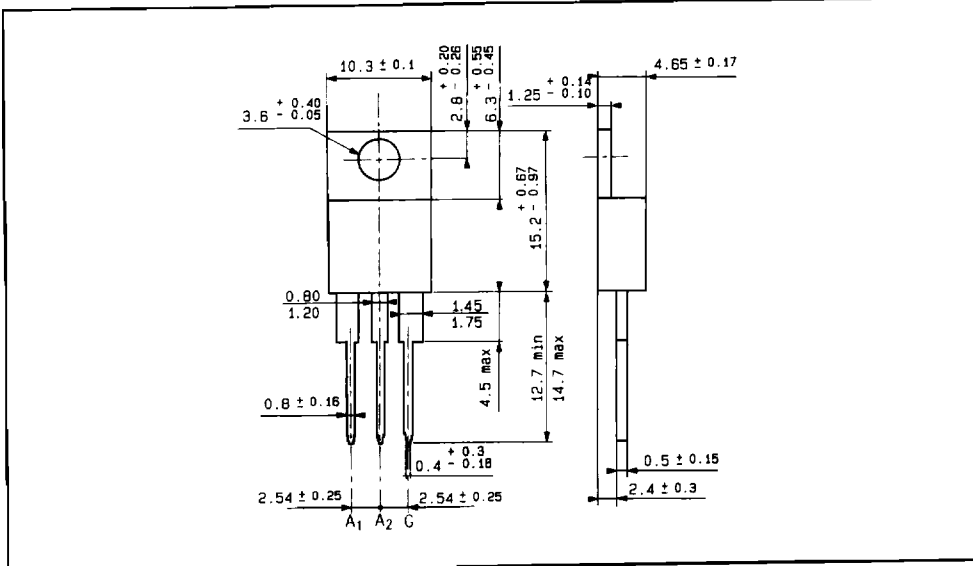
8 PINS - PLASTIC DIP

CONTROLLER



TO220AB (Plastic) (in millimeters)

TRIAC



Cooling method : by conduction (method C)

Marking : Type number

Weight : 2 g

Polarity : N A

Stud torque : N A

# TRIAC 8 A FAMILY

SNUBBERLESS "H.C.T."						
INSULATED	UNINSULATED	SENSITIVITY I <sub>GT</sub> (mA)			V <sub>RRM</sub> Range (V)	PACKAGE
		Q I	Q II	Q III		
BTA08-xxx BW	BTB08-xxx BW	50	50	50	400 to 800	TO220AB
BTA08-xxx CW	BTB08-xxx CW	35	35	35	400 to 800	TO220AB
T835-xxx W *		35	35	35	400 to 800	ISOWATT220
	T835-xxx T *	35	35	35	400 to 800	TO220AB
	T835-xxx D *	35	35	35	400 to 800	SOT 82
	T835-xxx K *	35	35	35	400 to 800	SOT 194

LOGIC LEVEL "H.C.T."						
INSULATED	UNINSULATED	SENSITIVITY I <sub>GT</sub> (mA)			V <sub>RRM</sub> Range (V)	PACKAGE
		Q I	Q II	Q III		
BTA08-xxx SW	BTB08-xxx SW	10	10	10	400 to 700	TO220AB
BTA08-xxx TW	BTB08-xxx TW	5	5	5	400 to 700	TO220AB
T810-xxx W *		10	10	10	400 to 800	ISOWATT220
	T810-xxx T *	10	10	10	400 to 800	TO220AB
	T810-xxx D *	10	10	10	400 to 800	SOT 82
	T810-xxx K *	10	10	10	400 to 800	SOT 194

SENSITIVE							
INSULATED	UNINSULATED	SENSITIVITY I <sub>GT</sub> (mA)				V <sub>RRM</sub> Range (V)	PACKAGE
		Q I	Q II	Q III	Q IV		
BTA08-xxx A	BTB08-xxx A	10	10	10	25	400 to 700	TO220AB
BTA08-xxx S	BTB08-xxx S	10	10	10	10	400 to 700	TO220AB

STANDARD							
INSULATED	UNINSULATED	SENSITIVITY I <sub>GT</sub> (mA)				V <sub>RRM</sub> Range (V)	PACKAGE
		Q I	Q II	Q III	Q IV		
BTA08-xxx B	BTB08-xxx B	50	50	50	100	400 to 800	TO220AB
BTA08-xxx C	BTB08-xxx C	25	25	25	50	400 to 800	TO220AB

ALTERNISTORS						
INSULATED	UNINSULATED	SENSITIVITY I <sub>GT</sub> (mA)			V <sub>RRM</sub> Range (V)	PACKAGE
		Q I	Q II	Q III		
TXDV x08		100	100	100	400 to 800	TO220AB

DEDICATED DEVICES						
INSULATED	UNINSULATED	AUTOMATIC VOLTAGE SWITCH			V <sub>RRM</sub> Range (V)	PACKAGE
AVS10-CBI	AVS10-CB				600	TO220AB

\* In development

H.C.T. (HIGH COMMUTATION TECHNOLOGY)