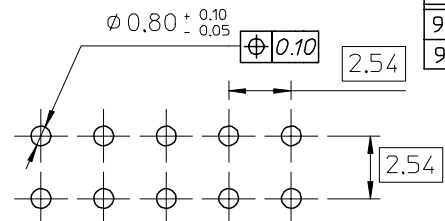
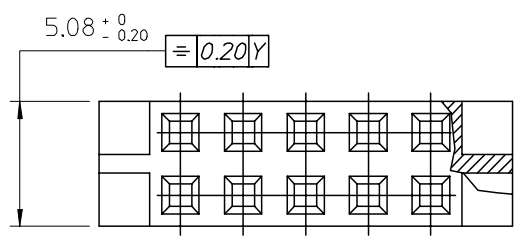
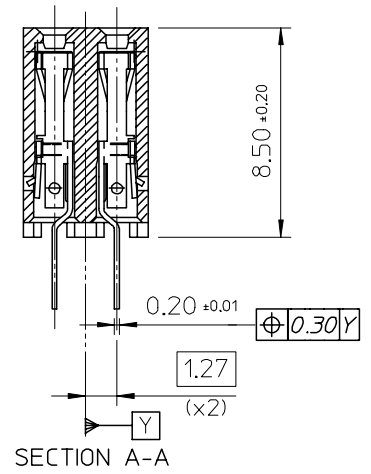
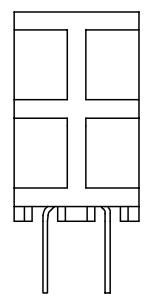
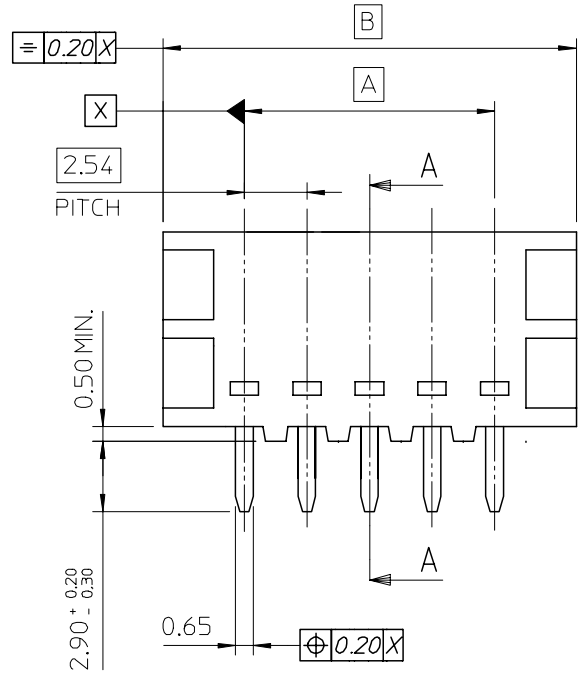


10 9 8 7 6 5 4 3 2 1

PART NO.	NO.OF CKTS.	DIM."A"	DIM."B" ±0.30	QTY. PER TUBE
91487-0234	34	40.64	47.24	11
91487-0240	40	48.26	54.86	10



RECOMMENDED P.C. BOARD HOLE PATTERN



NOTES

- MATERIALS
HOUSING: POLYESTER, GLASS FILLED, UL 94 V-0, COLOUR BLACK.
TERMINAL PHOSPHOR BRONZE
PLATING: 0.38µm MIN. GOLD OVER NICKEL IN THE CONTACT AREA
3µm MIN. TIN OVER NICKEL ON SOLDER TAILS.

EC NO: E2004-0610 DRWN:PSHEAHAN2004/01/27 CHKD: 2004/01/28 APPR:BMAGUIRE 2004/01/28	QUALITY SYMBOLS	GENERAL TOLERANCES (UNLESS SPECIFIED)	SCALE 5:1	DESIGN UNITS METRIC	THIRD ANGLE PROJECTION	REVISE ON CAD ONLY																										
	▽ = 0 ∇ = 0	<table border="1"> <thead> <tr> <th></th> <th>mm</th> <th>INCH</th> </tr> </thead> <tbody> <tr> <td>4 PLACES</td> <td>± ---</td> <td>± ---</td> </tr> <tr> <td>3 PLACES</td> <td>± ---</td> <td>± ---</td> </tr> <tr> <td>2 PLACES</td> <td>± 0.05</td> <td>± ---</td> </tr> <tr> <td>1 PLACE</td> <td>± 0.1</td> <td>± ---</td> </tr> </tbody> </table>		mm	INCH	4 PLACES	± ---	± ---	3 PLACES	± ---	± ---	2 PLACES	± 0.05	± ---	1 PLACE	± 0.1	± ---	<table border="1"> <thead> <tr> <th colspan="2">DIMENSION STYLE</th> </tr> <tr> <th>MM ONLY</th> <th>TITLE</th> </tr> </thead> <tbody> <tr> <td>DRAWN BY</td> <td>DATE</td> </tr> <tr> <td>FD</td> <td>01/01/16</td> </tr> <tr> <td>CHECKED BY</td> <td>DATE</td> </tr> <tr> <td>APPROVED BY</td> <td>DATE</td> </tr> </tbody> </table>	DIMENSION STYLE		MM ONLY	TITLE	DRAWN BY	DATE	FD	01/01/16	CHECKED BY	DATE	APPROVED BY	DATE	PCB CONN DR VT	
			mm	INCH																												
		4 PLACES	± ---	± ---																												
3 PLACES	± ---	± ---																														
2 PLACES	± 0.05	± ---																														
1 PLACE	± 0.1	± ---																														
DIMENSION STYLE																																
MM ONLY	TITLE																															
DRAWN BY	DATE																															
FD	01/01/16																															
CHECKED BY	DATE																															
APPROVED BY	DATE																															
DRAFT WHERE APPLICABLE MUST REMAIN WITHIN DIMENSIONS		MOLEX INCORPORATED MATERIAL NO. DOCUMENT NO. SD-91487-001 SHEET NO. 1 OF 1																														

THIS DRAWING CONTAINS INFORMATION THAT IS PROPRIETARY TO MOLEX INCORPORATED AND SHOULD NOT BE USED WITHOUT WRITTEN PERMISSION

9 8 7 6 5 4 3 2 1