

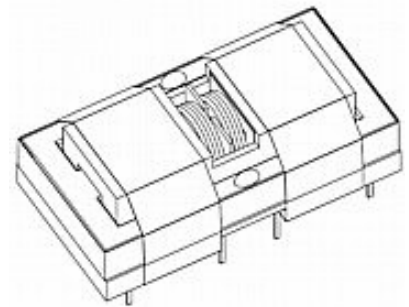
**Inverter Transformer
TH TYPE**

SPECIFICATIONS

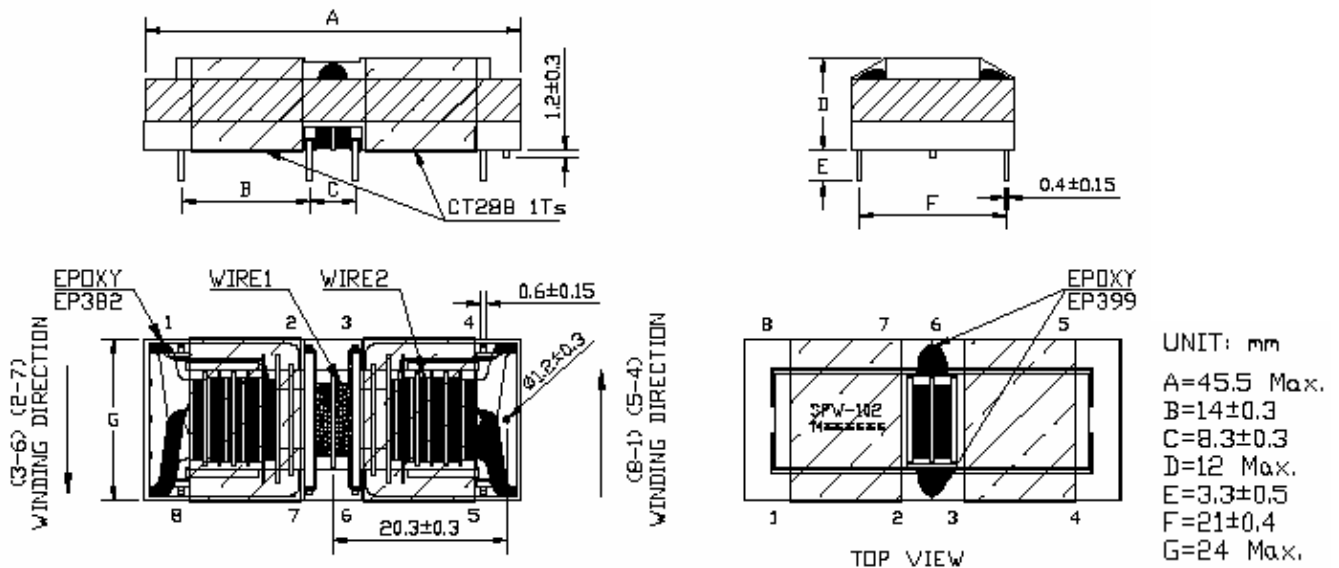
Feature

- Low profile and small size**
- Magnetically shielded**
- Tray package**
- Operating Temperature: -30°C to +130°C**
- PRI Inductance: 408 μH ±32%**
- SEC Inductance: 4.16H ±30%**
- PRI DCR :0.143Ω Max.**
- SEC DCR :930.0Ω Max.**
- PRI Coil SPC.: Φ0.1*15C 23Ts**
- SEC Coil SPC.: Φ0.045 2300Ts**

**Applications
MONITOR**



DRAWING



ORDERING INFORMATION

