

POWER INDUCTOR

AIPT-92-xxx



RoHS
Compliant



Sizes Vary

ELECTRICAL SPECIFICATIONS:

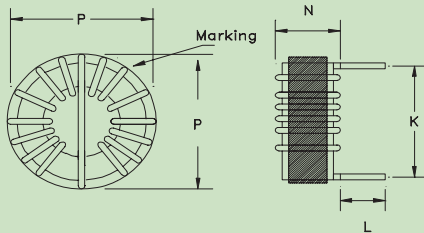
Abracon P/N: AIPT-92-xxx

Part Number AIPT-92-*	L (μH) ±20% No I _{DC}	I _{DC} Max (A)	ET _{OP} (V-μSec)	Energy Storage (μJ)	L (μH) Typical with I _{DC} & ET _{OP}	R _{DC} (Ω) Max	Coil Size Code	Case Mount Package	Lead Dia (inch) ±0.003"
20-2.0H	32.8	2.0	52	40	20	0.060	H	-	0.020
25-2.6V	20.7	2.6	30	85	25	0.043	A	BM1	0.020
50-2.6 (V)(H)	45.7	2.6	50	169	50	0.071	B	BM2	0.020
100-2.6 (V)(H)	94.1	2.6	90	338	100	0.100	C	BM3	0.020
35-2.6 (V)(H)	28.4	2.6	55	118	35	0.037	B	BM2	0.025
70-3.0 (V)(H)	61.0	3.0	85	315	70	0.052	C	BM3	0.025
150-3.0 (V)(H)	146.0	3.0	140	653	145	0.087	D	BM4	0.025
285-3.0 (V)(H)	260.0	3.0	300	1283	285	0.140	E	BM5	0.025
450-3.0V	436.3	3.0	425	2025	450	0.200	F	-	0.025
100-3.6 (V)(H)	90.7	3.6	130	648	67	0.045	D	BM4	0.032
165-4.0 (V)(H)	152.0	4.0	240	1320	165	0.070	E	BM5	0.032
270-4.0V	263.9	4.0	350	2160	270	0.100	F	-	0.032
400-4.0 (V)(H)	37.9	4.0	70	320	40	0.027	C	BM3	0.032
15-5.0 (V)(H)	14.8	5.0	17	188	15	0.023	B	BM2	0.035
22-5.0H	20.3	5.0	44	275	22	0.020	G	-	0.032
100-5.0 (V)(H)	90.7	5.0	200	1250	100	0.034	E	BM5	0.042
170-5.0V	159.7	5.0	300	2125	170	0.050	F	-	0.042
55-5.0 (V)(H)	54.9	5.0	100	688	55	0.023	D	BM4	0.042
95-7.0V	96.0	7.0	225	2328	95	0.025	F	-	0.051
55-7.0 (V)(H)	49.1	7.0	150	1348	55	0.017	E	BM5	0.051
55-10V	55.9	10.0	175	2750	55	0.013	F	-	0.064

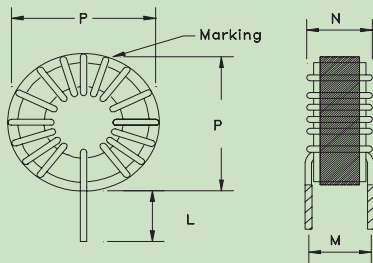
- Typical L value occurs @ I_{DC} and ET_{OP} value shown. L increase when ET_{OP} increase.
- Energy Storage is ½L²
- L decreases with higher value of I_{DC} and increases with low I_{DC}
- Marking on glass/polyester film tape, UL130 min

- INDUCTANCE TEST @ 20KHz, 0.1V_{RMS}
 - ADD V FOR VERTICAL MOUNTED AFTER THE P/N
 - ADD H FOR HORIZONTAL MOUNT AFTER THE P/N
 - ADD B FOR BASE MOUNTED AFTER THE P/N
 - "RoHS Compliance" product, label outside package
- Effective Date Code 0523

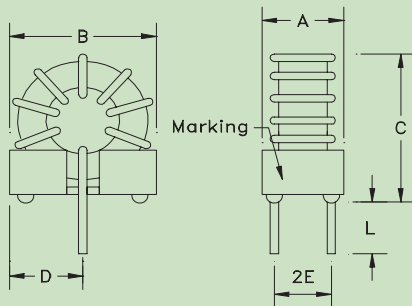
MECHANICAL SPECIFICATIONS



HORIZONTAL MOUNTED



VERTICAL MOUNTED



BASE MOUNTED

Coil Size	Meas.	P NOM	N NOM	L TYP	M	K TYP
A	inch	0.550	0.250	0.375	0.180	-
	mm	13,97	6,35	9,53	4,57	-
B	inch	0.700	0.380	0.375	0.280	0.530
	mm	17,78	9,65	9,53	7,11	13,46
C	inch	0.850	0.410	0.375	0.280	0.720
	mm	21,59	10,41	9,53	7,11	18,29
D	inch	1.050	0.550	0.375	0.400	0.840
	mm	26,27	13,97	9,53	10,16	21,24
E	inch	1.400	0.700	0.375	0.500	1.100
	mm	35,56	17,78	9,53	12,70	25,65
F	inch	1.650	0.700	0.375	0.500	-
	mm	41,91	17,78	9,53	12,70	-
G	inch	0.850	0.330	0.875	-	0.730
	mm	21,59	8,38	22,23	-	18,29
H	inch	0.640	0.280	0.875	-	0.530
	mm	16,26	7,11	22,23	-	13,46

Base Mount	Meas.	A NOM	B NOM	C TYP	D	E
BM1	inch	0.340	0.580	0.650	0.290	0.110
	mm	8,64	14,73	16,51	7,37	2,79
BM2	inch	0.450	0.650	0.700	0.325	0.150
	mm	11,43	16,51	17,78	8,26	3,81
BM3	inch	0.450	0.830	0.950	0.415	0.150
	mm	11,43	21,08	24,13	10,54	3,81
BM4	inch	0.600	0.950	1.100	0.475	0.225
	mm	15,24	24,13	27,94	12,07	5,72
BM5	inch	0.700	1.250	1.400	0.625	0.250
	mm	17,78	31,75	35,56	15,88	6,35

ABRACON IS
ISO 9001 / QS 9000
CERTIFIED



Visit www.abracon.com for Terms & Conditions of Sale **Revised: 10.10.07**

30332 Esperanza, Rancho Santa Margarita, California 92688

tel 949-546-8000 | fax 949-546-8001 | www.abracon.com