



RL-3745

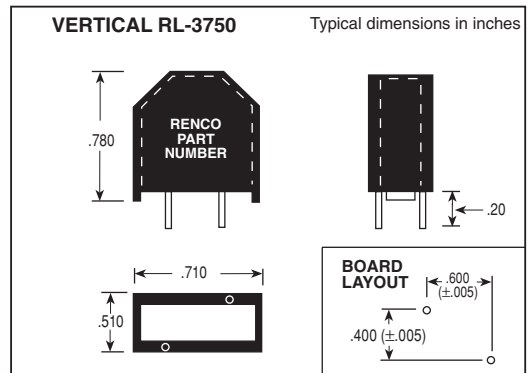
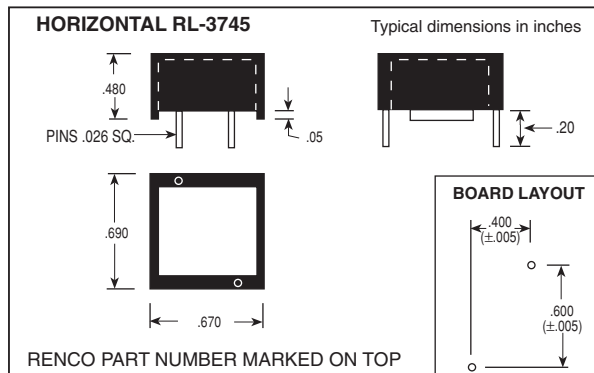
RL-3750

TOROIDAL LOW POWER INDUCTOR

HORIZONTAL AND VERTICAL MOUNT



These compact low power inductors are designed for switch mode power supplies, filters or general purpose use. They are used where high inductor stability is required when rapid load current changes occur. This series offers flexible packaging design since identical inductor values are offered for either vertical mounting having a small PC board footprint or in a low profile form for minimum height.



RENCO ELECTRONICS, INC.

595 International Place, Rockledge, FL 32955-4200 USA

(321) 637-1000 • Toll Free Engineering Hot line 800-645-5828

SINCE 1955



Fax: (321) 637-1600



Web Site: www.rencousa.com

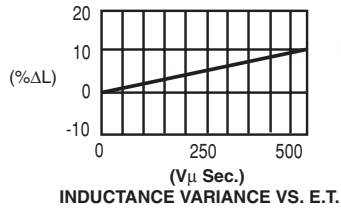


E-mail: sales@rencousa.com

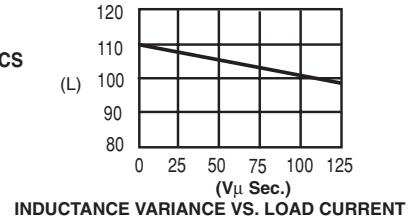
ELECTRICAL CHARACTERISTICS AT 25°

Reference Operating Values					Design Control Values			
HORIZONTAL MOUNT	VERTICAL MOUNT	Inductance Typical (μH) *	I _{dc} (AMPS) (1)	Max. E _{T_{op}} (V μSec) (2)	Inductance No D.C. (μH) Max.	1000 Hz Test Volts No D.C.	RDC Max. (OHMS)	Min. Energy Storage (μJ) (1)
RL-3745-150	RL-3750-150	150	1.7	80	175	.050	.36	215
RL-3745-220	RL-3750-220	220	1.5	90	255	.070	.38	240
RL-3745-330	RL-3750-330	330	1.0	100	380	.080	.74	165
RL-3745-470	RL-3750-470	470	.90	120	540	.100	1.10	190
RL-3745-680	RL-3750-680	680	.85	175	790	.120	1.25	245
RL-3745-820	RL-3750-820	820	.75	175	950	.130	2.30	230
RL-3745-1000	RL-3750-1000	1000	.50	175	1150	.140	2.40	125

* Tested @ 10 kHz 0.1 VAC 1. Rated for 40°C rise. 2. Rated at continuous operation to 20% of full current.



TYPICAL INDUCTANCE CHARACTERISTICS



RENCO ELECTRONICS, INC.

✉ 595 International Place, Rockledge, FL 32955-4200 USA

☎ (321) 637-1000 • Toll Free Engineering Hot line 800-645-5828

📠 Fax: (321) 637-1600 🌐 Web Site: www.rencousa.com ✉ E-mail: sales@rencousa.com