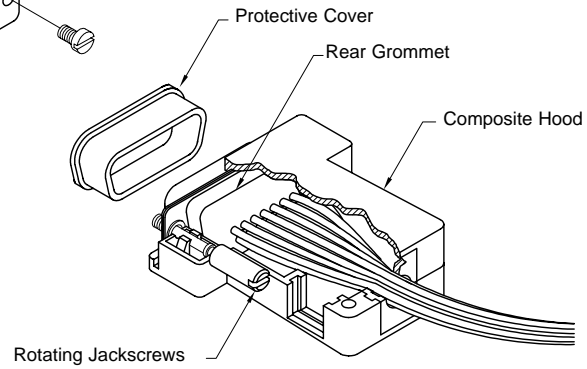
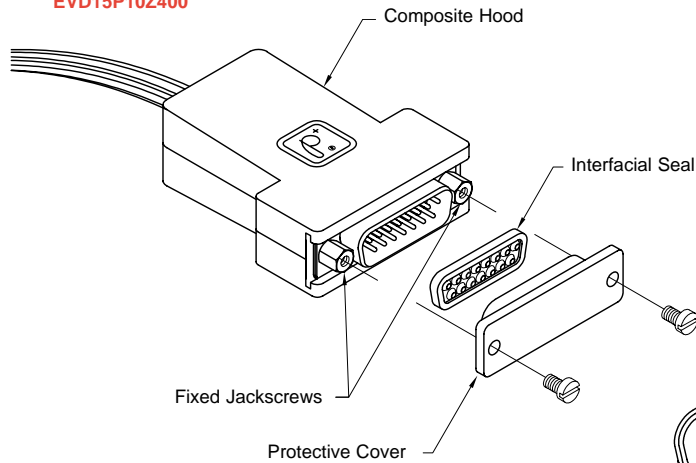


**INGRESS PROTECTION CONNECTION SYSTEM 3
CABLE TO CABLE FREE CONNECTORS**

MALE CONNECTOR

Example Part Number:
EVD15P10Z400



Example Part Number:
EVD15F10Z00

FEMALE CONNECTOR