



5V/3.3V
LVTTL/LVCMOS-to-DIFFERENTIAL
LVPECL TRANSLATOR

ECL Pro™
SY10EPT20V
SY100EPT20V

FEATURES

- 3.3V and 5V power supply options
- 300ps typical propagation delay
- Differential LVPECL output
- I_{CC} Max 20mA
- PNP LVTTL input for minimal loading
- Q output will default HIGH with inputs open
- High bandwidth to 800MHz typical
- Available in 8-pin MSOP and SOIC package



ECL Pro™

DESCRIPTION

The SY10/100EPT20V is a TTL/CMOS to differential PECL translator. Capable of running from a 3.3 or 5V supply, the part can be used in either LVTTL/LVCMOS/LVPECL or TTL/CMOS/PECL systems.

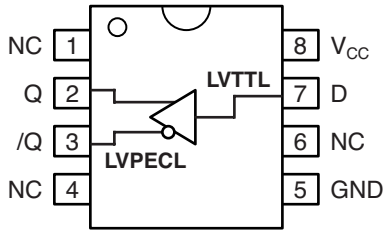
The device only requires a single positive supply of 3.3V or 5V - no negative supply is required.

The tiny 8-pin MSOP package and the low skew, dual gate design of the EPT20V makes it ideal for those applications where space, performance, and low power are at a premium.

PIN NAMES

Pin	Function
Q, /Q	Differential LVPECL Output
D	LVTTL Input
V_{CC}	Positive Supply
GND	Ground

PACKAGE/ORDERING INFORMATION



(Available in 8-pin SOIC or 8-pin MSOP)

Ordering Information⁽¹⁾

Part Number	Package Type	Operating Range	Package Marking	Lead Finish
SY10EPT20VZC	Z8-1	Commercial	HEP20	Sn-Pb
SY10EPT20VZCTR ⁽²⁾	Z8-1	Commercial	HEP20	Sn-Pb
SY100EPT20VZC	Z8-1	Commercial	XEP20	Sn-Pb
SY100EPT20VZCTR ⁽²⁾	Z8-1	Commercial	XEP20	Sn-Pb
SY10EPT20VKC	K8-1	Commercial	HP20	Sn-Pb
SY10EPT20VKCTR ⁽²⁾	K8-1	Commercial	HP20	Sn-Pb
SY100EPT20VKC	K8-1	Commercial	XP20	Sn-Pb
SY100EPT20VKCTR ⁽²⁾	K8-1	Commercial	XP20	Sn-Pb
SY10EPT20VZI	Z8-1	Industrial	HEP20	Sn-Pb
SY10EPT20VZITR ⁽²⁾	Z8-1	Industrial	HEP20	Sn-Pb
SY100EPT20VZI	Z8-1	Industrial	XEP20	Sn-Pb
SY100EPT20VZITR ⁽²⁾	Z8-1	Industrial	XEP20	Sn-Pb
SY10EPT20VKI	K8-1	Industrial	HP20	Sn-Pb
SY10EPT20VKITR ⁽²⁾	K8-1	Industrial	HP20	Sn-Pb
SY100EPT20VKI	K8-1	Industrial	XP20	Sn-Pb
SY100EPT20VKITR ⁽²⁾	K8-1	Industrial	XP20	Sn-Pb
SY10EPT20VZG ⁽³⁾	Z8-1	Industrial	HEP20 with Pb-Free bar-line indicator	NiPdAu Pb-Free
SY10EPT20VZGTR ^(2, 3)	Z8-1	Industrial	HEP20 with Pb-Free bar-line indicator	NiPdAu Pb-Free
SY100EPT20VZG ⁽³⁾	Z8-1	Industrial	XEP20 with Pb-Free bar-line indicator	NiPdAu Pb-Free
SY100EPT20VZGTR ^(2, 3)	Z8-1	Industrial	XEP20 with Pb-Free bar-line indicator	NiPdAu Pb-Free
SY10EPT20VKG ⁽³⁾	K8-1	Industrial	HP20 with Pb-Free bar-line indicator	NiPdAu Pb-Free
SY10EPT20VKGTR ^(2, 3)	K8-1	Industrial	HP20 with Pb-Free bar-line indicator	NiPdAu Pb-Free
SY100EPT20VKG ⁽³⁾	K8-1	Industrial	XP20 with Pb-Free bar-line indicator	NiPdAu Pb-Free
SY100EPT20VKGTR ^(2, 3)	K8-1	Industrial	XP20 with Pb-Free bar-line indicator	NiPdAu Pb-Free

Notes:

1. Contact factory for die availability. Dice are guaranteed at T_A = 25°C, DC Electricals only.
2. Tape and Reel.
3. Pb-Free package is recommended for new designs.

ABSOLUTE MAXIMUM RATINGS⁽¹⁾

Symbol	Parameter	Value	Unit
V _{CC}	Power Supply Voltage	-0.5 to +7.0	V
V _{IN}	TTL Input Voltage	-0.5 to V _{CC}	V
I _{IN}	TTL Input Current	-30 to +5.0	mA
I _{OUT}	PECL Output Current		mA
	-Continuous	50	
	-Surge	100	
T _{LEAD}	Lead Temperature (Soldering, 20sec.)	+260	°C
T _{store}	Storage Temperature	-65 to +150	°C
T _A	Operating Temperature	-40 to +85	°C

TRUTH TABLE

D	Q	/Q
H	H	L
L	L	H
Open	H	L

Note 1. Permanent device damage may occur if absolute maximum ratings are exceeded. This is a stress rating only and functional operation is not implied at conditions other than those detailed in the operational sections of this data sheet. Exposure to absolute maximum rating conditions for extended periods may affect device reliability.

DC ELECTRICAL CHARACTERISTICS

V_{CC} = +3.3V ±10% or +5.0V ±10%

Symbol	Parameter	T _A = -40°C		T _A = 0°C		T _A = +25°C			T _A = +85°C		Unit	Condition
		Min.	Max.	Min.	Max.	Min.	Typ.	Max.	Min.	Max.		
I _{CC}	Power Supply Current	—	20	—	20	—	—	20	—	20	mA	—

TTL DC ELECTRICAL CHARACTERISTICS

V_{CC} = +3.3V ±10% or +5.0V ±10%

Symbol	Parameter	T _A = -40°C		T _A = 0°C		T _A = +25°C			T _A = +85°C		Unit	Condition
		Min.	Max.	Min.	Max.	Min.	Typ.	Max.	Min.	Max.		
V _{IH}	Input HIGH Voltage	2.0	—	2.0	—	2.0	—	—	2.0	—	V	—
V _{IL}	Input LOW Voltage	—	0.8	—	0.8	—	—	0.8	—	0.8	V	—
I _{IH}	Input HIGH Current	—	20	—	20	—	—	20	—	20	μA	V _{IN} = 2.7V V _{IN} = V _{CC}
		—	100	—	100	—	—	100	—	100		
I _{IL}	Input LOW Current	—	-0.2	—	-0.2	—	—	-0.2	—	-0.2	mA	V _{IN} = 0.5V
V _{IK}	Input Clamp Voltage	—	-1.2	—	-1.2	—	—	-1.2	—	-1.2	V	I _{IN} = -18mA

PECL DC ELECTRICAL CHARACTERISTICS

V_{CC} = +3.3V ±10% or +5.0V ±10%

Symbol	Parameter	T _A = -40°C		T _A = 0°C		T _A = +25°C			T _A = +85°C		Unit	Condition	
		Min.	Max.	Min.	Max.	Min.	Typ.	Max.	Min.	Max.			
V _{OH}	Output HIGH Voltage ⁽¹⁾	10EPT	3920	4110	3980	4160	4020	—	4190	4090	4280	mV	
		100EPT	3915	4120	3975	4120	3975	—	4120	3975	4120		
V _{OL}	Output LOW Voltage ⁽¹⁾	10EPT	3050	3350	3050	3370	3050	—	3370	3050	3405	mV	
		100EPT	3170	3445	3190	3380	3190	—	3380	3190	3380		

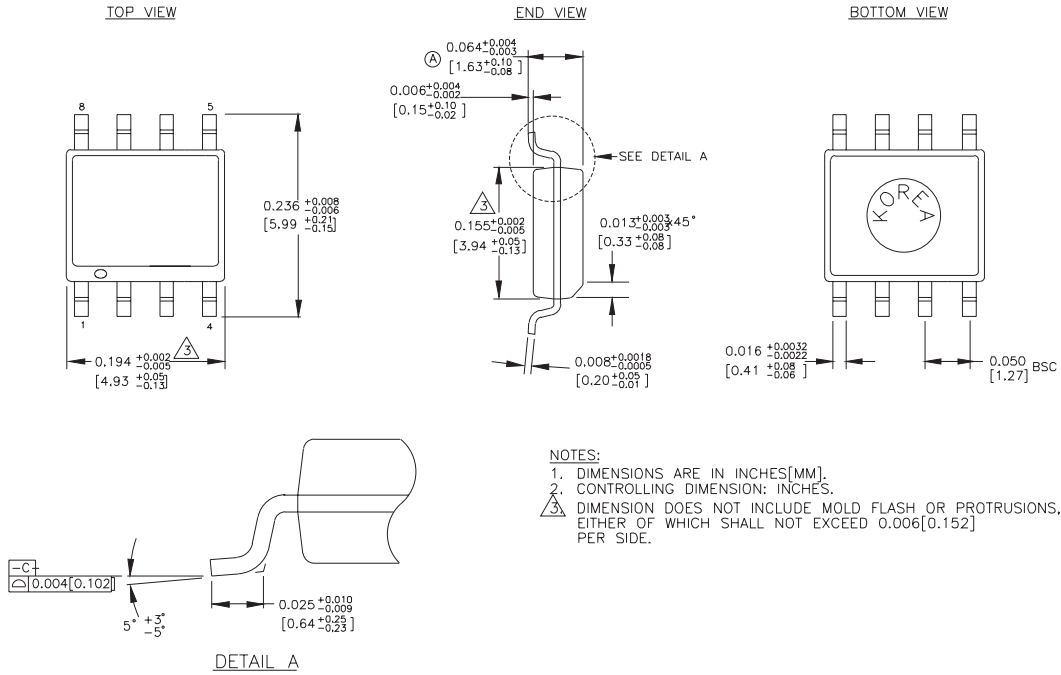
Note 1. These values are for V_{CC} = 5.0V. Level Specifications will vary 1:1 with V_{CC}.

AC ELECTRICAL CHARACTERISTICS⁽¹⁾ $V_{CC} = +3.3V \pm 10\%$ or $+5.0V \pm 10\%$, $R_L = 50\Omega$ to $V_{CC} - 2V$

Symbol	Parameter	$T_A = -40^\circ\text{C}$		$T_A = 0^\circ\text{C}$		$T_A = +25^\circ\text{C}$			$T_A = +85^\circ\text{C}$		Unit
		Min.	Max.	Min.	Max.	Min.	Typ.	Max.	Min.	Max.	
t_{PD}	Propagation Delay ⁽¹⁾	100	600	100	600	100	—	600	100	600	ps
t_{SKEW}	Part-to-Part Skew ⁽²⁾	—	500	—	500	—	—	500	—	500	ps
f_{MAX}	Maximum Input Frequency	350	—	350	—	350	—	—	350	—	MHz
f_{MAX}	Maximum Toggle Frequency	—	800	—	800	—	—	800	—	800	MHz
t_{JITTER}	Random Jitter (R_J) ⁽³⁾	—	2	—	2	—	0.9	2	—	2	ps _{RMS}
t_r t_f	Output Rise/Fall Time (20% to 80%)	200	500	200	500	200	—	500	200	500	ps

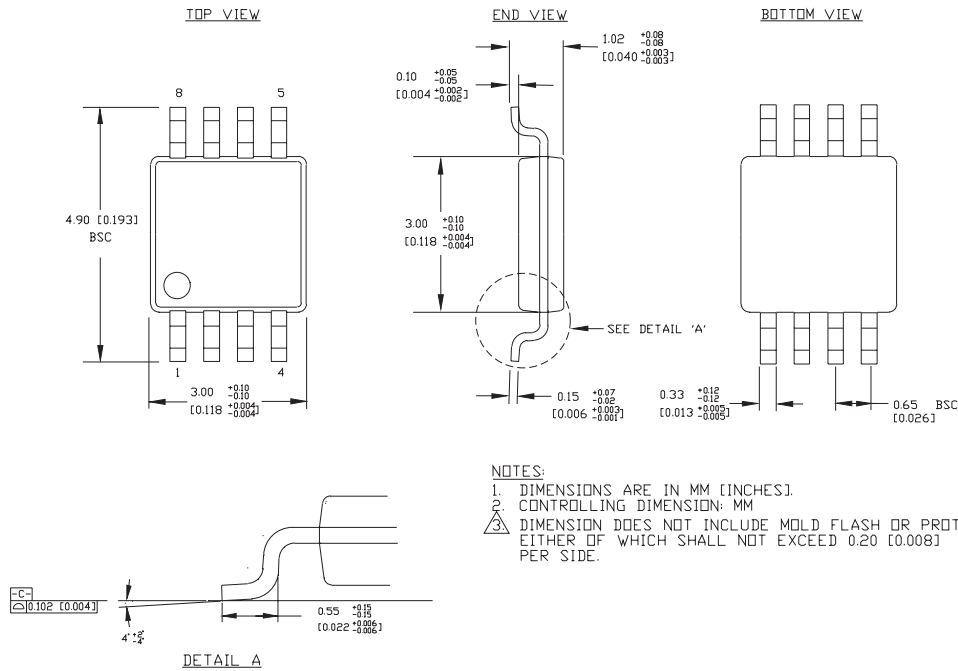
Note 1. Input Rise Time < 1.0ns.**Note 2.** Guaranteed by design. Not tested in production.**Note 3.** R_J is measured with a K28.7 101010 pattern.

8 LEAD PLASTIC SOIC (Z8-1)



Rev. 03

8 LEAD MSOP (K8-1)



Rev. 01

MICREL, INC. 2180 FORTUNE DRIVE SAN JOSE, CA 95131 USA

TEL + 1 (408) 944-0800 FAX + 1 (408) 474-1000 WEB <http://www.micrel.com>

The information furnished by Micrel in this datasheet is believed to be accurate and reliable. However, no responsibility is assumed by Micrel for its use. Micrel reserves the right to change circuitry and specifications at any time without notification to the customer.

Micrel Products are not designed or authorized for use as components in life support appliances, devices or systems where malfunction of a product can reasonably be expected to result in personal injury. Life support devices or systems are devices or systems that (a) are intended for surgical implant into the body or (b) support or sustain life, and whose failure to perform can be reasonably expected to result in a significant injury to the user. A Purchaser's use or sale of Micrel Products for use in life support appliances, devices or systems is at Purchaser's own risk and Purchaser agrees to fully indemnify Micrel for any damages resulting from such use or sale.

© 2005 Micrel, Incorporated.