

Feedthrough EMI Filters

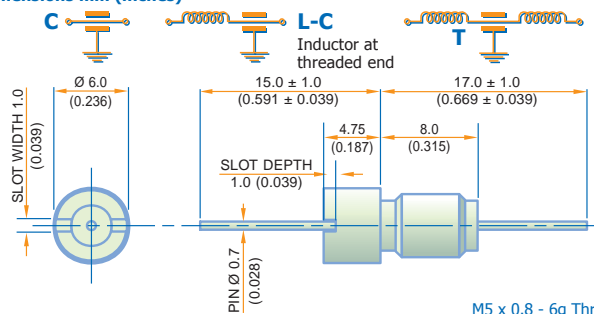
M5 Thread

6.0mm Round Head

SFLM

Type No. (* = Preferred Value)	Capacitance (Z= -20%+80%) (M= +/-20%)	Dielectric Code	Rated Voltage (Vd.c.)	DWV (Vd.c.)
* SFLM#1 5000100ZC0	10pF	C0G	500	750
SFLM#1 5000150ZC0	15pF	C0G	500	750
SFLM#1 5000220ZC0	22pF	C0G	500	750
SFLM#1 5000330ZC0	33pF	C0G	500	750
* SFLM#1 5000470ZC0	47pF	C0G	500	750
* SFLM#1 5000680MC0	68pF	C0G	500	750
* SFLM#1 5000101MC0	100pF	C0G	500	750
SFLM#1 5000151MC0	150pF	C0G	500	750
* SFLM#1 5000221MC0	220pF	C0G	500	750
* SFLM#1 5000331MC0	330pF	C0G	500	750
* SFLM#1 5000471MX0	470pF	X7R	500	750
SFLM#1 5000681MX0	680pF	X7R	500	750
* SFLM#1 5000102MX0	1nF	X7R	500	750
SFLM#1 5000152MX0	1.5nF	X7R	500	750
* SFLM#1 5000222MX0	2.2nF	X7R	500	750
SFLM#1 5000332MX0	3.3nF	X7R	500	750
* SFLM#1 5000472MX0	4.7nF	X7R	500	750
SFLM#1 5000682MX0	6.8nF	X7R	500	750
* SFLM#1 2000103MX0	10nF	X7R	200	500
* SFLM#1 2000153MX0	15nF	X7R	200	500
* SFLM#1 1000223MX0	22nF	X7R	100	250
SFLM#1 0500333MX0	33nF	X7R	50	125
* SFLM#1 0500473MX0	47nF	X7R	50	125

Dimensions mm (inches)



M5 x 0.8 - 6g Thread

Electrical details

Electrical Configuration	C, L-C or T Filters
Capacitance Measurement	At 1000hr point
Current Rating	10A
Temperature Rating	-55°C to 125°C
Ferrite Inductance, typical	0.75µH L-C type. 1.5µH T type

Mechanical details

Nut A/F	N/A. for use in tapped hole
Head Diameter	6.0mm (0.236")
Washer Diameter	N/A
Mounting Torque	0.3 Nm (3.4 lbf in) max.
Mounting Hole Diameter	N/A
Max Panel Thickness	N/A
Weight	2.0g typical (0.07oz)
Finish	Silver plate on copper undercoat

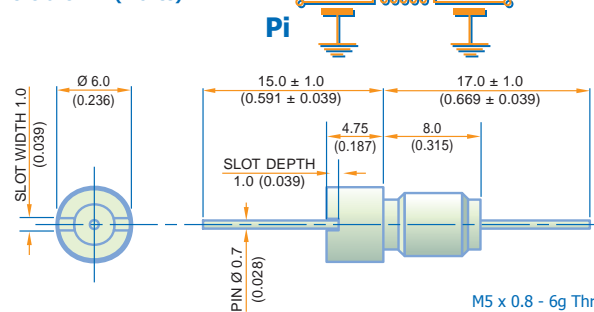
M5 Thread

6.0mm Round Head

SFLMP

Type No. (* = Preferred Value)	Capacitance (Z= -20%+80%) (M= +/-20%)	Dielectric Code	Rated Voltage (Vd.c.)	DWV (Vd.c.)
* SFLMP5000200ZC0	20pF	C0G	500	750
SFLMP5000300ZC0	30pF	C0G	500	750
SFLMP5000440ZC0	44pF	C0G	500	750
SFLMP5000660ZC0	66pF	C0G	500	750
* SFLMP5000940ZC0	94pF	C0G	500	750
* SFLMP500136PMC0	136pF	C0G	500	750
* SFLMP5000201MC0	200pF	C0G	500	750
SFLMP5000301MC0	300pF	C0G	500	750
* SFLMP5000441MC0	440pF	C0G	500	750
* SFLMP5000661MC0	660pF	C0G	500	750
* SFLMP5000941MX0	940pF	X7R	500	750
SFLMP5001N36MX0	1.36nF	X7R	500	750
* SFLMP5000202MX0	2nF	X7R	500	750
SFLMP5000302MX0	3nF	X7R	500	750
* SFLMP5000442MX0	4.4nF	X7R	500	750
SFLMP5000662MX0	6.6nF	X7R	500	750
* SFLMP5000942MX0	9.4nF	X7R	500	750
SFLMP50013N6MX0	13.6nF	X7R	500	750
* SFLMP2000203MX0	20nF	X7R	200	500
* SFLMP2000303MX0	30nF	X7R	200	500
* SFLMP1000443MX0	44nF	X7R	100	250
SFLMP0500663MX0	66nF	X7R	50	125
* SFLMP0500943MX0	94nF	X7R	50	125

Dimensions mm (inches)



M5 x 0.8 - 6g Thread

Electrical details

Electrical Configuration	Pi Filters
Capacitance Measurement	At 1000hr point
Current Rating	10A
Temperature Rating	-55°C to 125°C
Ferrite Inductance, typical	0.75µH

Mechanical details

Nut A/F	N/A. for use in tapped hole
Head A/F	6.0mm (0.236")
Washer Diameter	N/A
Mounting Torque	0.3 Nm (3.4 lbf in) max.
Mounting Hole Diameter	N/A
Max Panel Thickness	N/A
Weight	2.0g typical (0.07oz)
Finish	Silver plate on copper undercoat

notes

#1. For C Filter insert "C", for L-C Filter insert "L" and for T Filter insert "T".