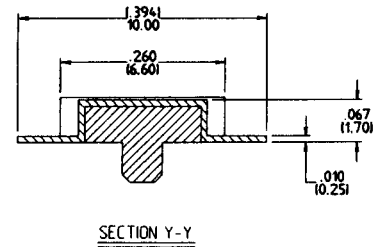
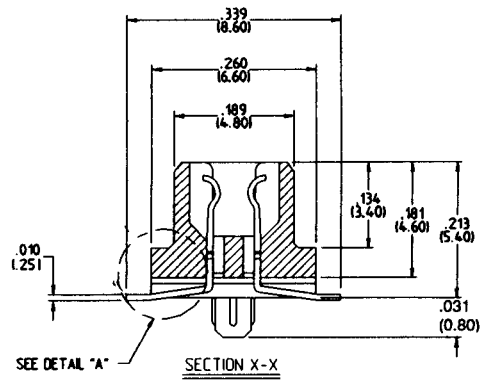
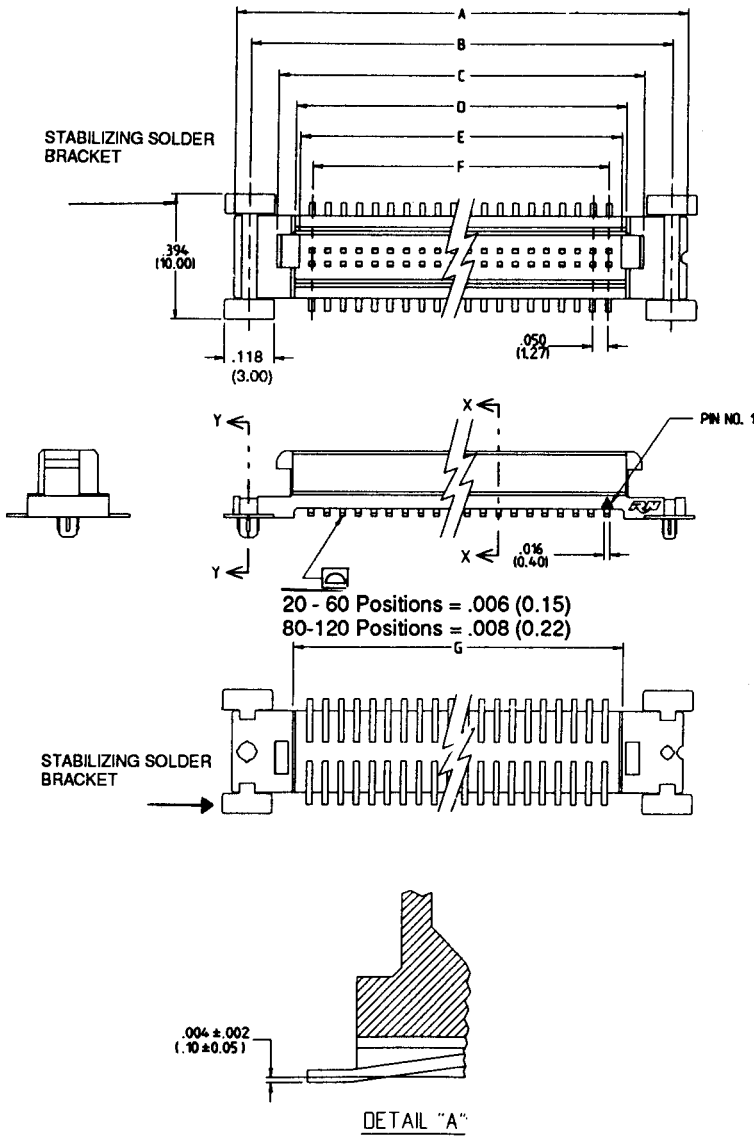


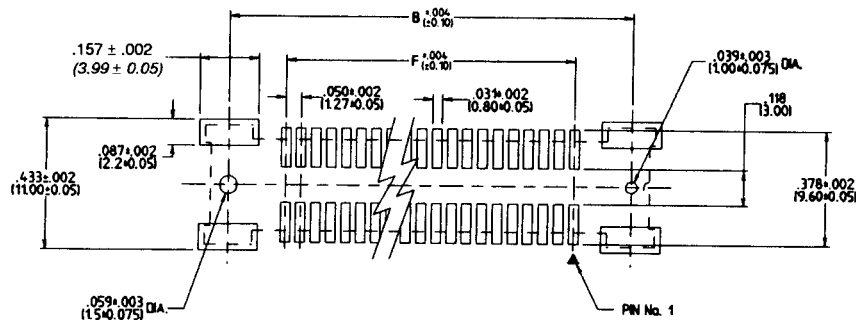
SOCKETS (Type A)

P50L - XXXS - AS - TGF



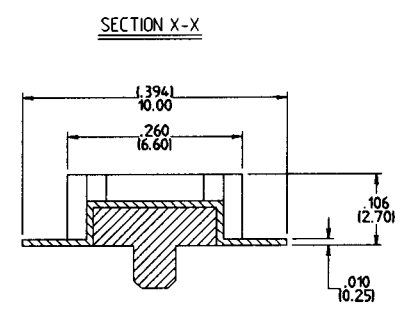
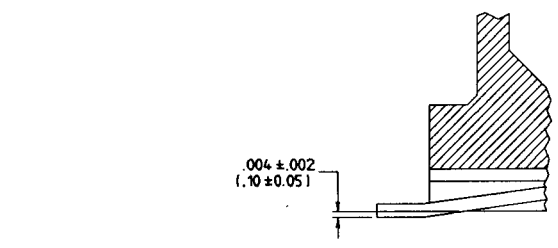
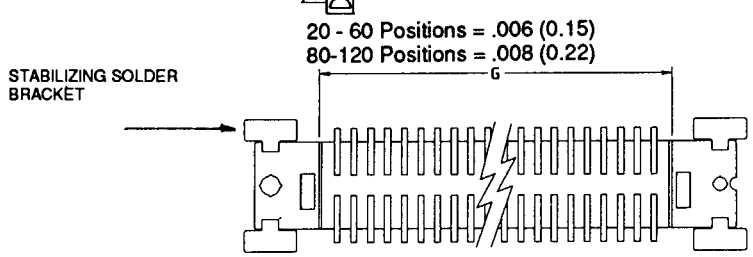
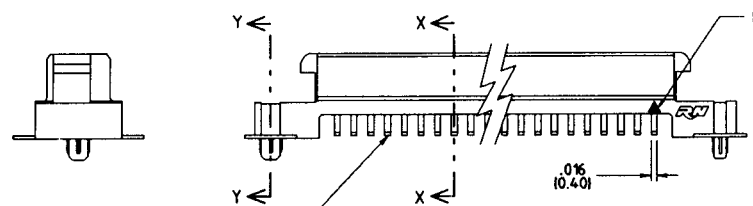
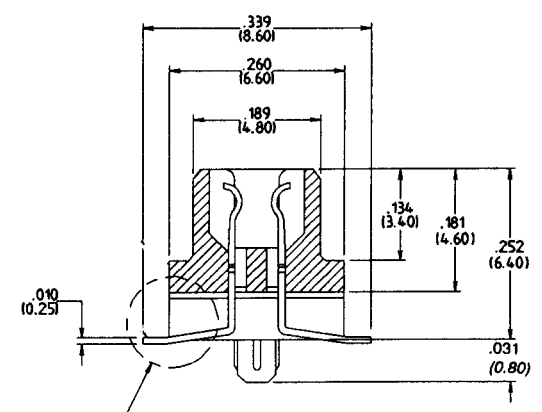
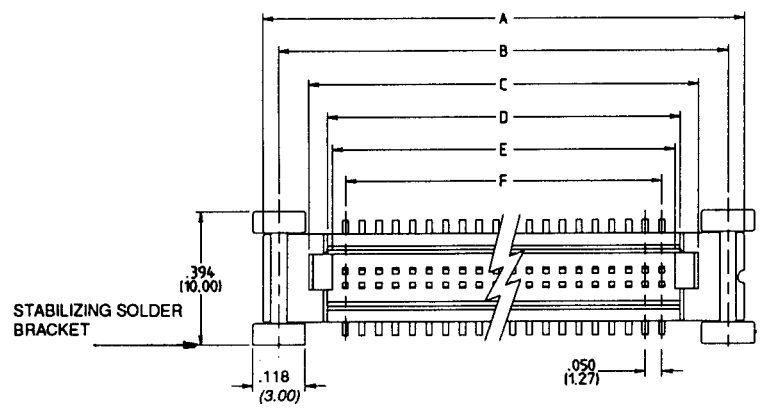
No. of Positions	A	B	C	D	E	F	G
20	.946 (24.03)	.828 (21.03)	.670 (17.03)	.560 (14.23)	.529 (13.43)	.450 (11.43)	.560 (14.23)
30	1.196 (30.38)	1.078 (27.38)	.920 (23.38)	.810 (20.58)	.779 (19.78)	.700 (17.78)	.810 (20.58)
40	1.146 (29.13)	1.328 (33.73)	1.170 (29.73)	1.060 (26.93)	1.029 (26.13)	.950 (24.13)	1.060 (26.93)
50	1.696 (43.08)	1.578 (40.08)	1.420 (36.08)	1.310 (33.28)	1.279 (32.48)	1.200 (30.48)	1.310 (33.28)
60	1.946 (49.43)	1.828 (46.43)	1.670 (42.43)	1.560 (39.63)	1.529 (38.83)	1.450 (36.83)	1.560 (39.63)
80	2.446 (62.13)	2.328 (58.13)	2.170 (55.13)	2.060 (52.33)	2.029 (51.53)	1.950 (49.53)	2.060 (52.33)
100	2.946 (74.83)	2.828 (71.83)	2.670 (67.83)	2.560 (65.03)	2.529 (64.23)	2.450 (62.23)	2.560 (65.03)
120	3.446 (87.53)	3.328 (84.53)	3.170 (80.53)	3.060 (77.73)	3.029 (76.93)	2.950 (74.93)	3.060 (77.73)

Pad Layout



SOCKETS (Type B)

P50L - XXXS - BS - TGF



No. of Positions	A	B	C	D	E	F	G
20	.946 (24.03)	.828 (21.03)	.670 (17.03)	.560 (14.23)	.529 (13.43)	.450 (11.43)	.560 (14.23)
30	1.196 (30.38)	1.078 (27.38)	.920 (23.38)	.810 (20.58)	.779 (19.78)	.700 (17.78)	.810 (20.58)
40	1.146 (36.73)	1.328 (33.73)	1.170 (29.73)	1.060 (26.93)	1.029 (26.13)	.950 (24.13)	1.060 (26.93)
50	1.696 (43.08)	1.578 (40.08)	1.420 (36.08)	1.310 (33.28)	1.279 (32.48)	1.200 (30.48)	1.310 (33.28)
60	1.946 (49.43)	1.828 (46.43)	1.670 (42.43)	1.560 (39.63)	1.529 (38.83)	1.450 (36.83)	1.560 (39.63)
80	2.446 (62.13)	2.328 (59.13)	2.170 (55.13)	2.060 (52.33)	2.029 (51.53)	1.950 (49.53)	2.060 (52.33)
100	2.946 (74.83)	2.828 (71.83)	2.670 (67.83)	2.560 (65.03)	2.529 (64.23)	2.450 (62.23)	2.560 (65.03)
120	3.446 (87.53)	3.328 (84.53)	3.170 (80.53)	3.060 (77.73)	3.029 (76.93)	2.950 (74.93)	3.060 (77.73)

Pad Layout

