

Digital Delay Unit

SERIES: **DDU-222**

8 pins SIP
T²L Interfaced



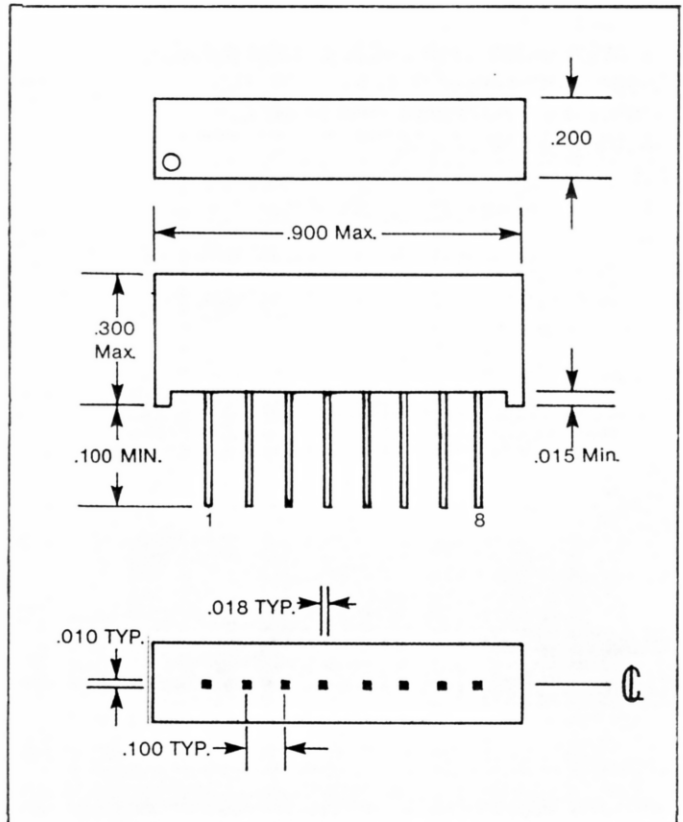
Features:

- Very thin unit.
- TTL input and outputs.
- SIP package.
- Economical.

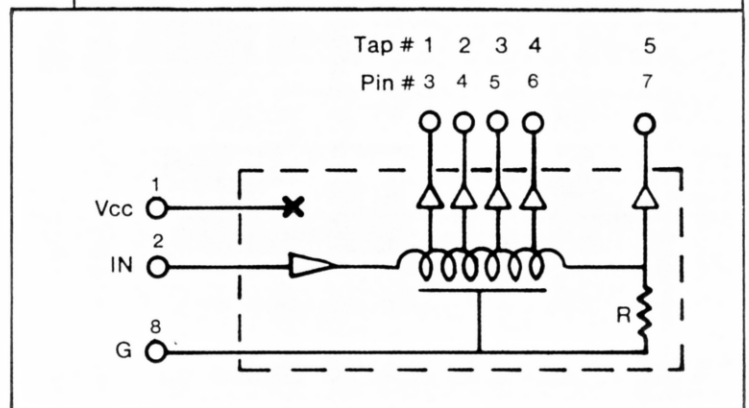


Specifications:

- Outputs: 5, equally spaced.
- Delay Tolerance: see table.
- Rise-time: 4 ns typ.
- Minimum pulse width: 40% of total delay.
- Temperature range: 0 C to - 70 C.
- Temperature coefficient: 100 PPM/ C.
- Supply voltage: 4.75 to 5.25 Vdc.
- Input signal: TTL logic.
- Output fan-out: TTL Schottky loads.
- Power dissipation: 375 mw max.



| Part No | Total Delay (ns) | Tap Delay (ns) |
|-------------|------------------|----------------|
| *DDU-222-4 | 4 ± 1 | 1 ± 0.5 |
| *DDU-222-6 | 6 ± 1 | 1.5 ± 0.5 |
| *DDU-222-8 | 8 ± 2 | 2 ± 1 |
| *DDU-222-10 | 10 ± 2 | 2.5 ± 1 |
| *DDU-222-12 | 12 ± 2 | 3 ± 1 |
| *DDU-222-16 | 16 ± 2 | 4 ± 1.5 |
| *DDU-222-20 | 20 ± 3 | 5 ± 2 |
| DDU-222-30 | 30 ± 3 | 6 ± 2 |
| DDU-222-35 | 35 ± 3 | 7 ± 2 |
| DDU-222-40 | 40 ± 3 | 8 ± 2 |
| DDU-222-45 | 45 ± 3 | 9 ± 3 |
| DDU-222-50 | 50 ± 3 | 10 ± 3 |
| DDU-222-60 | 60 ± 3 | 12 ± 3 |
| DDU-222-75 | 75 ± 4 | 15 ± 3 |
| DDU-222-100 | 100 ± 5 | 20 ± 3 |
| DDU-222-125 | 125 ± 6.5 | 25 ± 3 |
| DDU-222-150 | 150 ± 7.5 | 30 ± 3 |
| DDU-222-175 | 175 ± 8 | 35 ± 4 |
| DDU-222-200 | 200 ± 10 | 40 ± 4 |
| DDU-222-250 | 250 ± 12.5 | 50 ± 5 |
| DDU-222-300 | 300 ± 15 | 60 ± 6 |
| DDU-222-350 | 350 ± 17 | 70 ± 7 |
| DDU-222-400 | 400 ± 20 | 80 ± 8 |
| DDU-222-450 | 450 ± 22 | 90 ± 9 |
| DDU-222-500 | 500 ± 25 | 100 ± 10 |



*Time delay measured with respect to 1st tap
6 ns = 1 ns inherent delay