

Description

The AP78LXX Series is a three terminal positive regulator available with fixed output voltages from 5V, 8V and 12V, making them useful in a wide range of applications. When used as a Zener diode/resistor combination replacement, the AP78LXX can improve output impedance by two orders of magnitude, and lower quiescent current. These regulators can provide local on card regulation, eliminating the distribution problems associated with single point regulation. The voltages available allow the AP78LXX's to be used in logic systems. Instrumentation, HiFi and other solid state electronic equipment.

The AP78LXX is available in the plastic TO92, SOT89 and SO-8 using industrial standard package technology. The regulator can deliver 100mA output current with adequate heat sinking. Current limiting is included to limit the peak output current to a safe value. Safe area protection for the output transistors is provided to limit internal power dissipation. Thermal overload protection is integrated to prevent the IC from overheat due to abnormal condition.

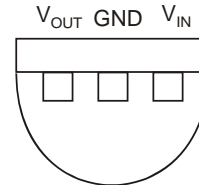
Features

- Output voltages of 5.0V, 8.0V, 12V
- Output voltage tolerances of $\pm 5\%$ over the operating temperature ranges
- Output current in excess of 100mA
- Internal thermal overload protection
- Output transistor safe area protection
- Internal short circuit current limiting
- No external components
- Available in plastic TO92, SOT89 and plastic SO-8 low profile packages
- Lead Free Package: TO92 (Note 1)
- SO-8 and SOT89: Available in "Green" Molding Compound (No Br, Sb) (Note 2)
- Lead Free Finish / RoHS Compliant (Note 3)

Notes: 1. TO92 is available in "Lead Free" product only.
 2. SO-8 and SOT89 are available in "Green" products only.
 3. EU Directive 2002/95/EC (RoHS) & 2011/65/EU (RoHS 2). All applicable RoHS exemptions applied.

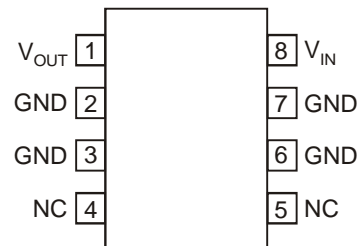
Pin Assignments

(Bottom View)



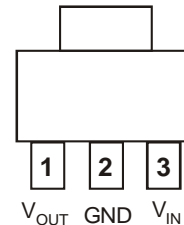
TO92

(Top View)



SO-8

(Top View)

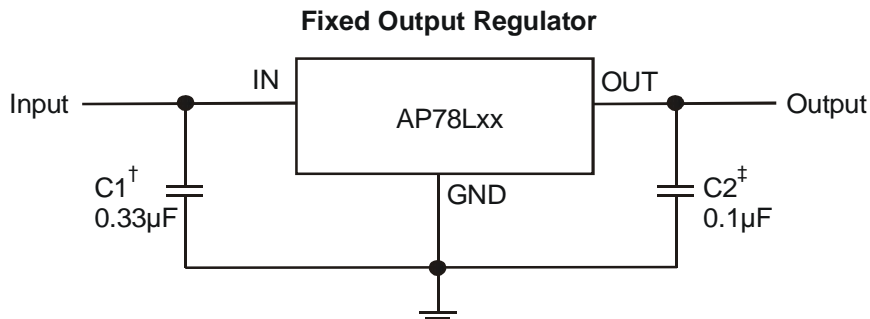


SOT89

Applications

- Communication
- CD-ROM
- DVD-Player
- Set-Top Box

Typical Application Circuit



(†) Required if the regulator is located more than 3" from the power supply filter

(‡) See Note 5 in the electrical characteristics table

Pin Descriptions

Pin Name	Description
V _{IN}	Operating Voltage Input
V _{OUT}	Voltage Output Pin
GND	Ground
NC	No Connection

Functional Block Diagram

Introduction

The AP78LXX series is a three terminal device with fixed output voltages from 5V,8V and 12V. The AP78LXX fixed voltage regulator series has built-in thermal overload protection which prevents the device from being damaged due to excessive junction temperature. The regulator also contains internal short-circuit protection which limits the maximum output current, and safe-area protection for the pass transistor which reduces the short-circuit current as the voltage across the pass transistor is increased.

Absolute Maximum Ratings (T_A = 25°C)

Symbol	Parameter	Rating	Unit
ESD HBM	Human Body Model ESD Protection	3	KV
ESD MM	Machine Model ESD Protection	250	V
V _{CC}	Supply Voltage	30	V
V _{OUT}	Output Voltage to Ground	AP78L05	5
		AP78L08	8
		AP78L12	12
T _{ST}	Storage Temperature	-65 to +150	°C
T _{OP}	Operating Junction Temperature	-20 to +125	°C
T _{MJ}	Maximum Junction Temperature	150	°C

Recommended Operating Conditions (T_A = 25°C)

Symbol	Parameter	Min	Max	Unit
V _{IN}	Input Voltage	AP78L05	7	20
		AP78L08	10.5	23
		AP78L12	14.5	27
I _{OUT}	Output Current	0	100	mA
T _A	Operating Ambient Temperature	-20	+85	°C

AP78Lxx Electrical Characteristics (All Output Voltage Versions)

 Limits in standard typeface are for $T_A = 25^\circ\text{C}$, **Bold typeface applies over $T_J = -20^\circ\text{C}$ to $+125^\circ\text{C}$ for TO92, SOT89 and SO-8 packages.**

 Unless otherwise specified: $I_O = 40\text{mA}$, $C_I = 0.33\mu\text{F}$, $C_O = 0.1\mu\text{F}$.

AP78L05

 Unless otherwise specified, $V_{IN} = 10\text{V}$

Symbol	Parameter	Conditions	Min	Typ.	Max	Unit
V_O	Output Voltage		4.8	5	5.2	V
		$7\text{V} \leq V_{IN} \leq 20\text{V}$ $1\text{mA} \leq I_O \leq 40\text{mA}$	4.75		5.25	
		$1\text{mA} \leq I_O \leq 70\text{mA}$	4.75		5.25	
ΔV_O	Line Regulation	$7\text{V} \leq V_{IN} \leq 20\text{V}$		18	75	mV
		$8\text{V} \leq V_{IN} \leq 20\text{V}$		10	54	
ΔV_O	Load Regulation	$1\text{mA} \leq I_O \leq 100\text{mA}$		20	60	mV
		$1\text{mA} \leq I_O \leq 40\text{mA}$		5	30	
I_Q	Quiescent Current			3	5	mA
ΔI_Q	Quiescent Current Change	$8\text{V} \leq V_{IN} \leq 20\text{V}$			1.0	
		$1\text{mA} \leq I_O \leq 40\text{mA}$			0.1	
V_N	Output Noise Voltage	$f = 10\text{Hz to } 100\text{kHz}$ (Note 4)	-	40		μV
$\Delta V_{IN}/\Delta V_{OUT}$	Ripple Rejection	$f = 120\text{Hz}$ $8\text{V} \leq V_{IN} \leq 16\text{V}$	47	62		dB
I_{PK}	Peak Output Current			140		mA
$\Delta V_O/\Delta T$	Average Output Voltage Tempco	$I_O = 5\text{mA}$		-0.65		$\text{mV}/^\circ\text{C}$
$V_{IN(MIN)}$	Minimum Value of Input Voltage Required to Maintain Line Regulation			6.7	7	V
θ_{JA}	Thermal Resistance Junction to Ambient	TO92 (Note 5)		176		$^\circ\text{C}/\text{W}$
		SO-8 (Note 6)		153		
		SOT89 (Note 7)		145		
θ_{JC}	Thermal Resistance Junction to Case	TO92 (Note 5)		33		$^\circ\text{C}/\text{W}$
		SO-8 (Note 6)		18		
		SOT89 (Note 7)		25		

- Notes:
4. Recommend $0.01\mu\text{F}$ minimum load capacitance at output to suppress high frequency noise.
 5. Test conditions for TO92: No heat sink, no air flow.
 6. Test conditions for SO-8: Device mounted on 2oz copper, minimum recommended pad layout, FR-4 PCB.
 7. Test conditions for SOT89: Device mounted on FR-4 substrate PC board, 2oz copper, with minimum recommended pad layout.

AP78Lxx Electrical Characteristics (cont.)
AP78L08

 Unless otherwise specified, $V_{IN} = 14V$

Symbol	Parameter	Conditions	Min	Typ.	Max	Unit
V_O	Output Voltage		7.7	8	8.3	V
		$10.5V \leq V_{IN} \leq 23V$ $1mA \leq I_O \leq 40mA$	7.6		8.4	
		$1mA \leq I_O \leq 70mA$	7.6		8.4	
ΔV_O	Line Regulation	$10.5V \leq V_{IN} \leq 23V$		42	175	mV
		$11V \leq V_{IN} \leq 23V$		36	125	
ΔV_O	Load Regulation	$1mA \leq I_O \leq 100mA$		18	80	mV
		$1mA \leq I_O \leq 40mA$		10	40	
I_Q	Quiescent Current			2	5.5	mA
ΔI_Q	Quiescent Current Change	$11V \leq V_{IN} \leq 23V$			1.5	
		$1mA \leq I_O \leq 40mA$			0.1	
V_N	Output Noise Voltage	$f = 10Hz$ to $100kHz$ (Note 4)	-	54		μV
$\Delta V_{IN}/\Delta V_{OUT}$	Ripple Rejection	$f = 120Hz$ $13V \leq V_{IN} \leq 23V$	37	46		dB
I_{PK}	Peak Output Current			140		mA
$\Delta V_O/\Delta T$	Average Output Voltage Tempco	$I_O = 5mA$		-0.8		$mV/^\circ C$
$V_{IN(MIN)}$	Minimum Value of Input Voltage Required to Maintain Line Regulation			9.7		V
θ_{JA}	Thermal Resistance Junction to Ambient	TO92 (Note 5)		176		$^\circ C/W$
		SO-8 (Note 6)		153		
		SOT89 (Note 7)		157		
θ_{JC}	Thermal Resistance Junction to case	TO92 (Note 5)		33		$^\circ C/W$
		SO-8 (Note 6)		18		
		SOT89 (Note 7)		33		

- Notes:
4. Recommend $0.01\mu F$ minimum load capacitance at output to suppress high frequency noise.
 5. Test conditions for TO92: No heat sink, no air flow.
 6. Test conditions for SO-8: Device mounted on 2oz copper, minimum recommended pad layout, FR-4 PCB.
 7. Test conditions for SOT89: Device mounted on FR-4 substrate PC board, 2oz copper, with minimum recommended pad layout.

AP78Lxx Electrical Characteristics (cont.)
AP78L12

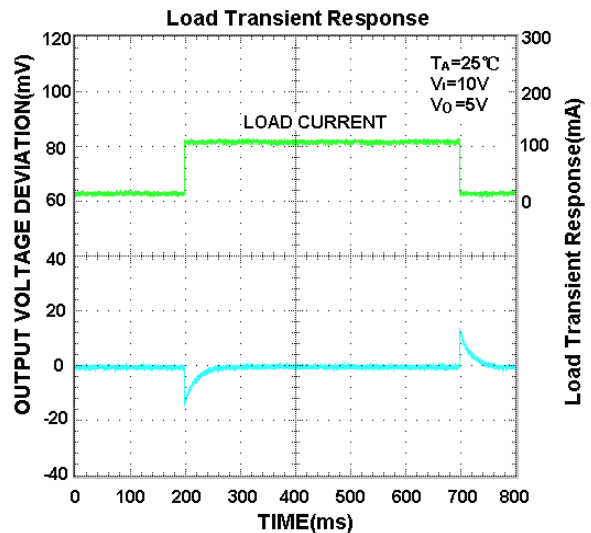
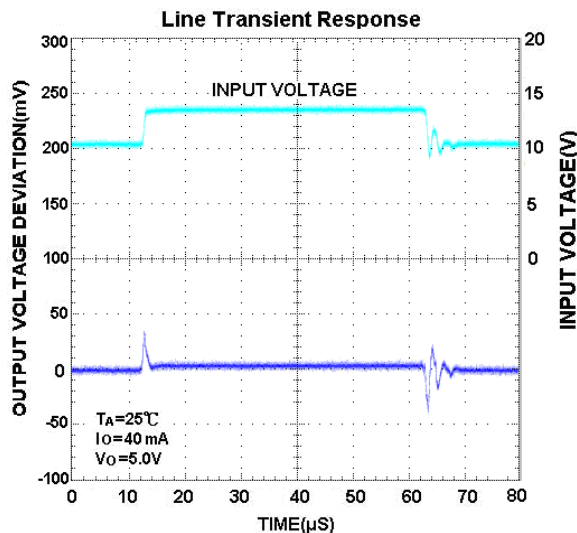
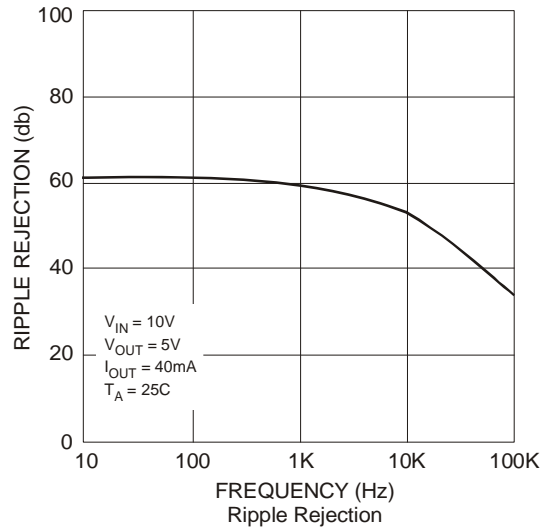
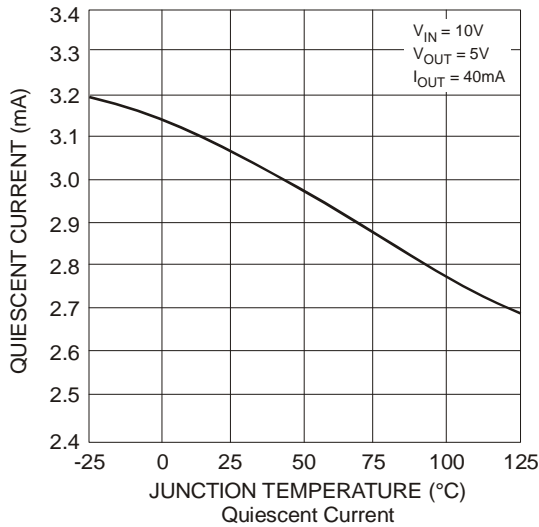
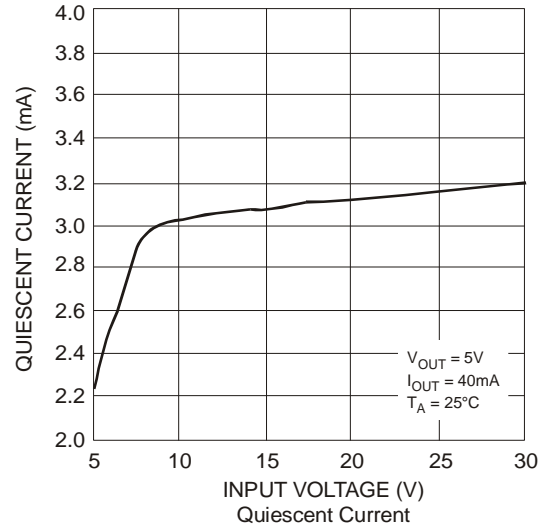
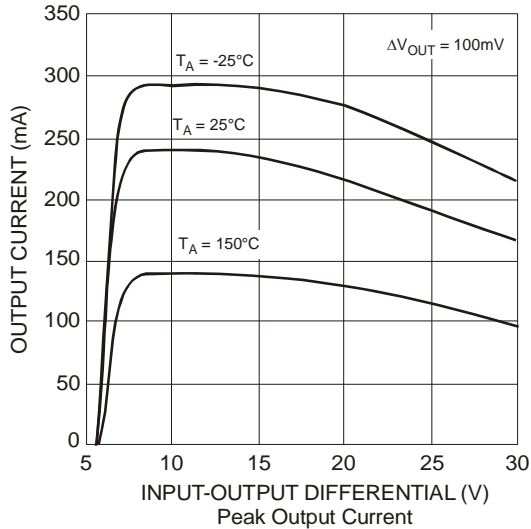
 Unless otherwise specified, $V_{IN} = 19V$

Symbol	Parameter	Conditions	Min	Typ.	Max	Unit
V_O	Output Voltage		11.5	12	12.5	V
		$14.5V \leq V_{IN} \leq 27V$ $1mA \leq I_O \leq 40mA$	11.4		12.6	
		$1mA \leq I_O \leq 70mA$	11.4		12.6	
ΔV_O	Line Regulation	$14.5V \leq V_{IN} \leq 27V$		30	180	mV
		$16V \leq V_{IN} \leq 27V$		20	110	
ΔV_O	Load Regulation	$1mA \leq I_O \leq 100mA$		30	100	mV
		$1mA \leq I_O \leq 40mA$		10	50	
I_Q	Quiescent Current			3	5	mA
ΔI_Q	Quiescent Current Change	$16V \leq V_{IN} \leq 27V$			1	
		$1mA \leq I_O \leq 40mA$			0.1	
V_N	Output Noise Voltage			80		μV
$\Delta V_{IN}/\Delta V_{OUT}$	Ripple Rejection	$f = 120Hz$ $15V \leq V_{IN} \leq 25V$	40	54		dB
I_{PK}	Peak Output Current			140		mA
$\Delta V_O/\Delta T$	Average Output Voltage Tempco	$I_O = 5mA$		-1.0		mV/°C
$V_{IN(MIN)}$	Minimum Value of Input Voltage Required to Maintain Line Regulation			13.7	14.5	V
θ_{JA}	Thermal Resistance Junction to Ambient	TO92 (Note 5)		176		°C/W
		SO-8 (Note 6)		153		
		SOT89 (Note 7)		145		
θ_{JC}	Thermal Resistance Junction to case	TO92 (Note 5)		33		°C/W
		SO-8 (Note 6)		18		
		SOT89 (Note 7)		25		

Notes: 5. Test conditions for TO92: No heat sink, no air flow.
 6. Test conditions for SO-8: Device mounted on 2oz copper, minimum recommended pad layout, FR-4 PCB.
 7. Test conditions for SOT89: Device mounted on FR-4 substrate PC board, 2oz copper, with minimum recommended pad layout.

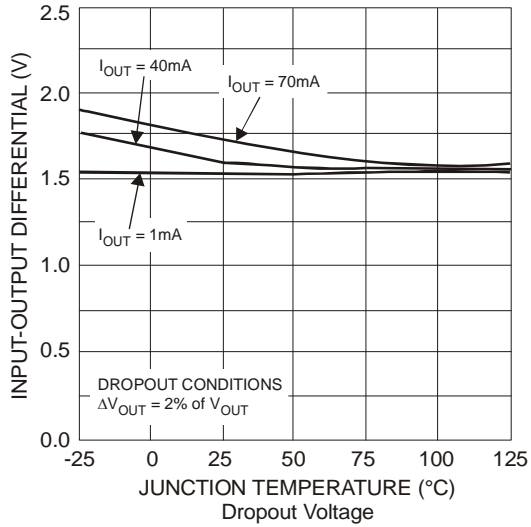
Typical Performance Characteristics

For AP78L05



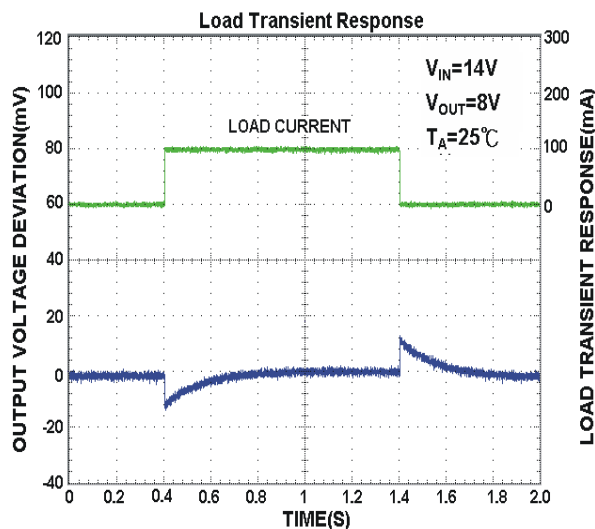
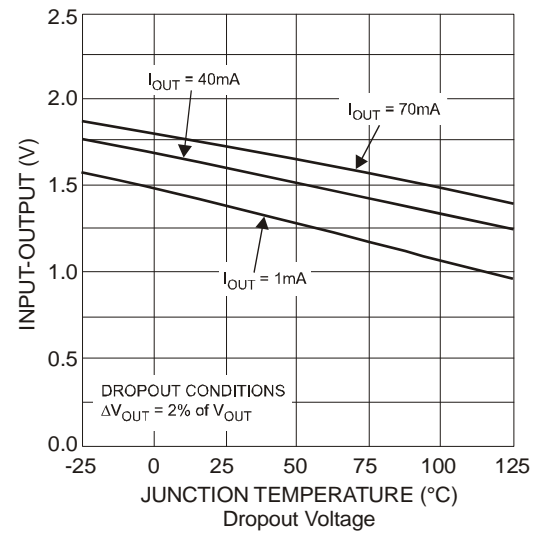
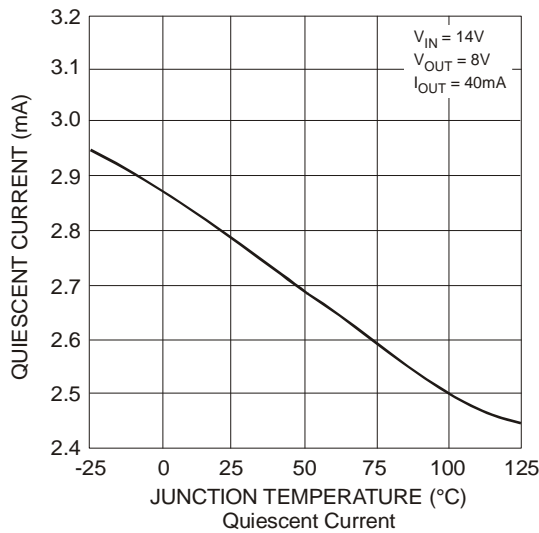
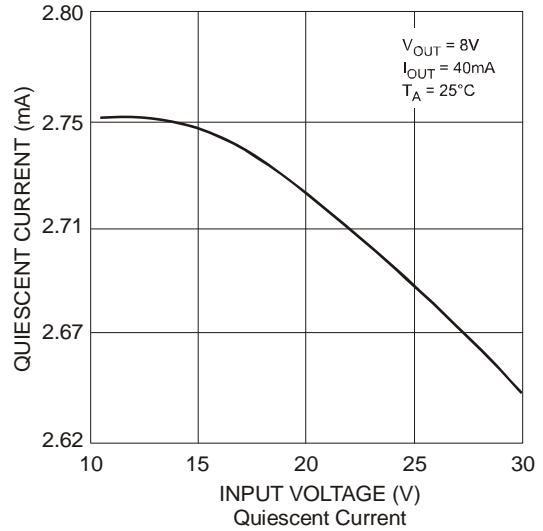
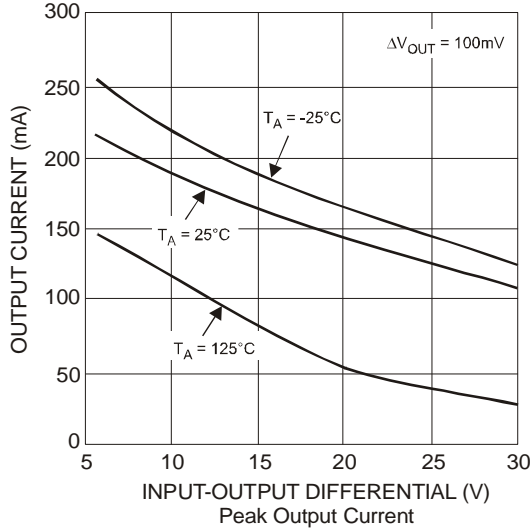
Typical Performance Characteristics (cont.)

For AP78L05



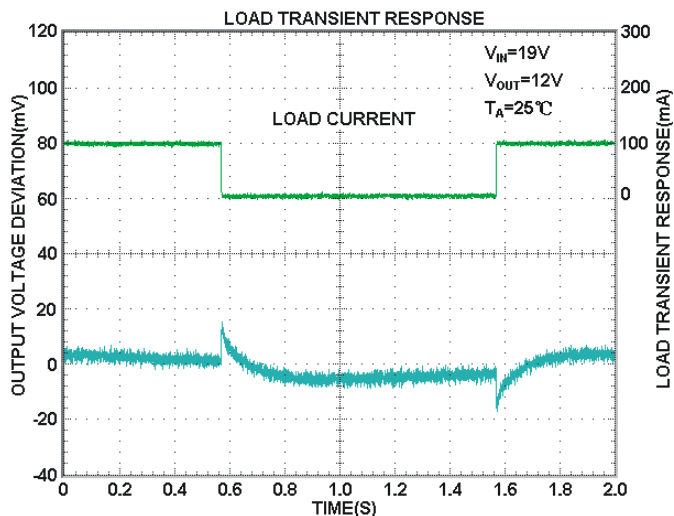
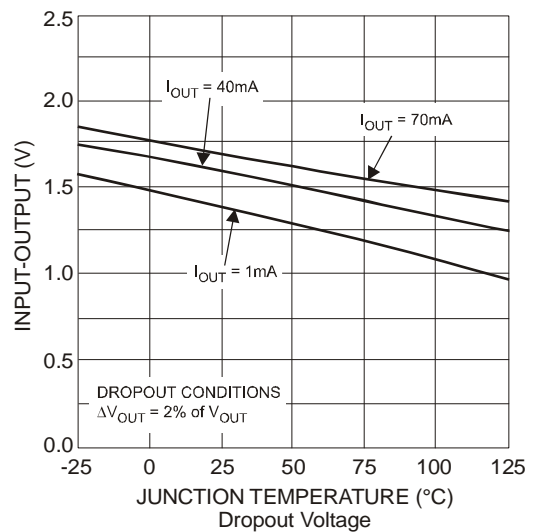
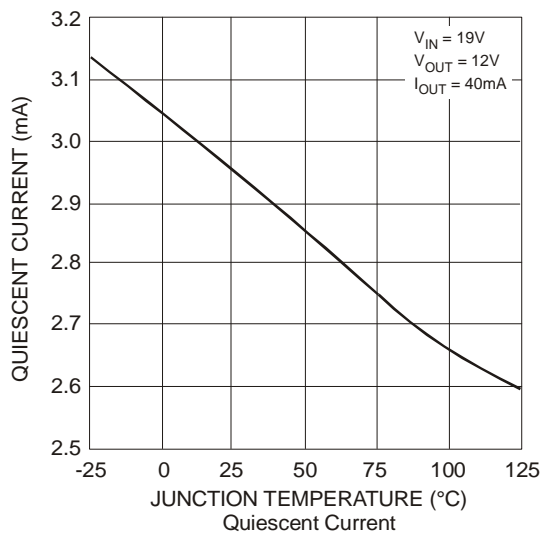
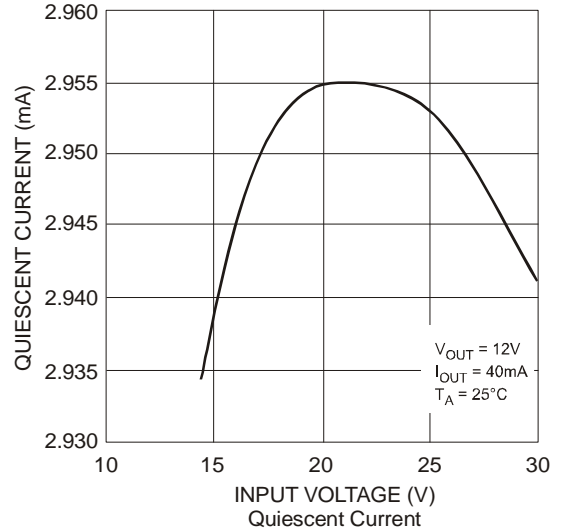
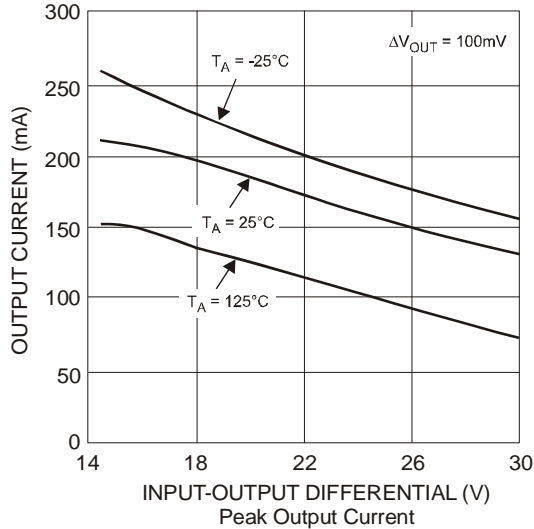
Typical Performance Characteristics

For AP78L08

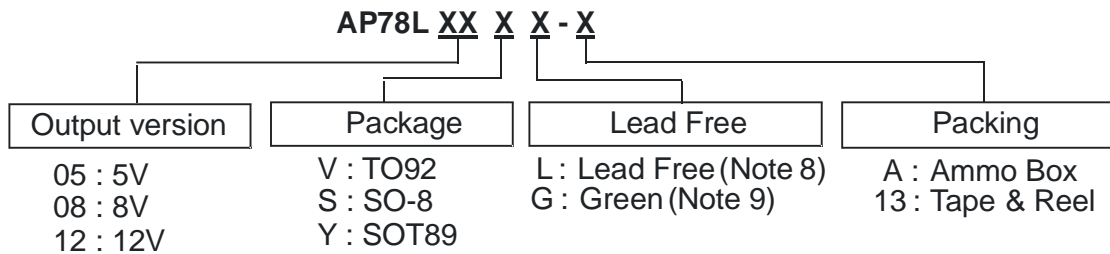





Typical Performance Characteristics (cont.)

For AP78L12



Ordering Information

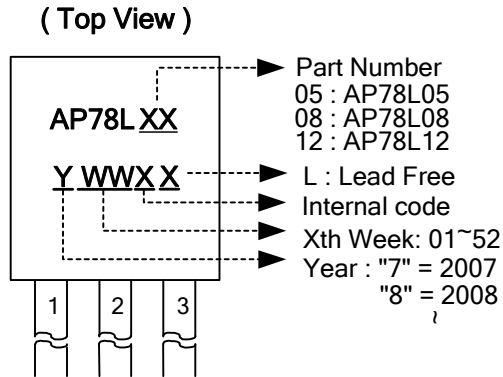


Device	Package Code	Packaging (Note 10)	Ammo Box / Tube		13" Tape and Reel	
			Quantity	Part Number Suffix	Quantity	Part Number Suffix
 AP78LXXVL-A	V	TO92	2000/Box	-A	NA	NA
 AP78LXXSG-13	S	SO-8	NA	NA	2500/Tape & Reel	-13
 AP78LXXYG-13	Y	SOT89	NA	NA	2500/Tape & Reel	-13

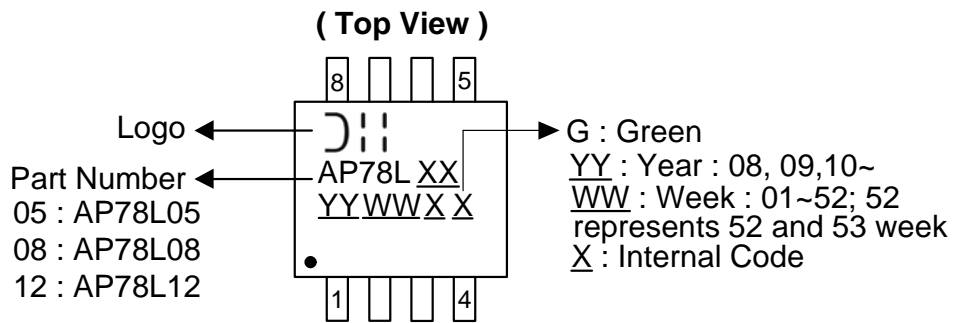
- Notes:
- 8. TO92 is available in "Lead Free" product only.
 - 9. SO-8 and SOT89 are available in "Green" products only.
 - 10. Pad layout as shown on Diodes Inc. suggested pad layout document AP02001, which can be found on our website at <http://www.diodes.com/datasheets/ap02001.pdf>.

Marking Information

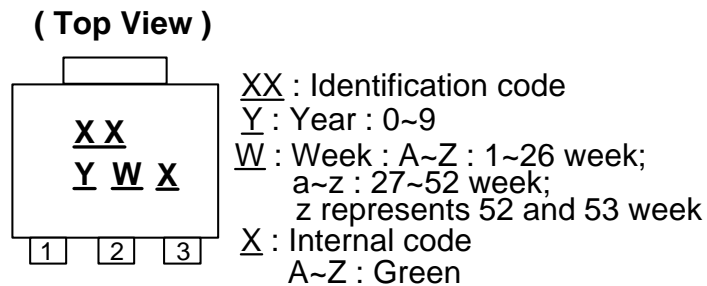
(1) TO92



(2) SO-8



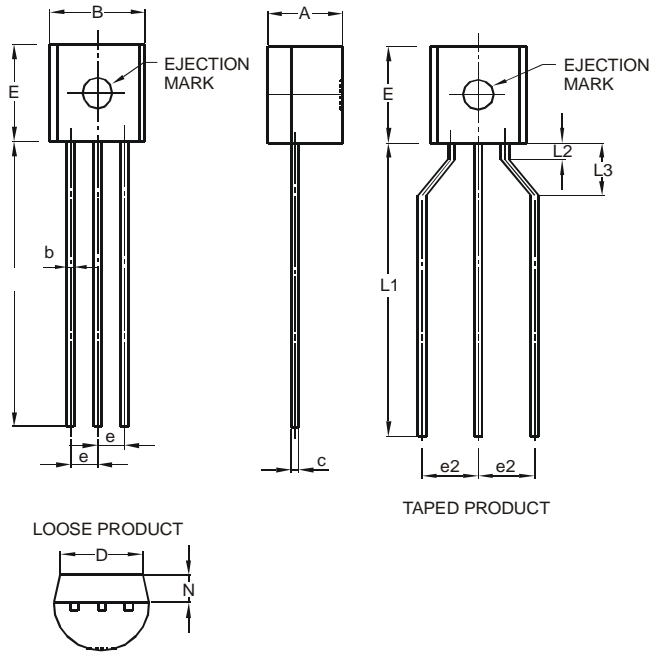
(3) SOT89



Device	Package	Identification Code
AP78L05	SOT89	V2
AP78L08	SOT89	V3
AP78L12	SOT89	V4

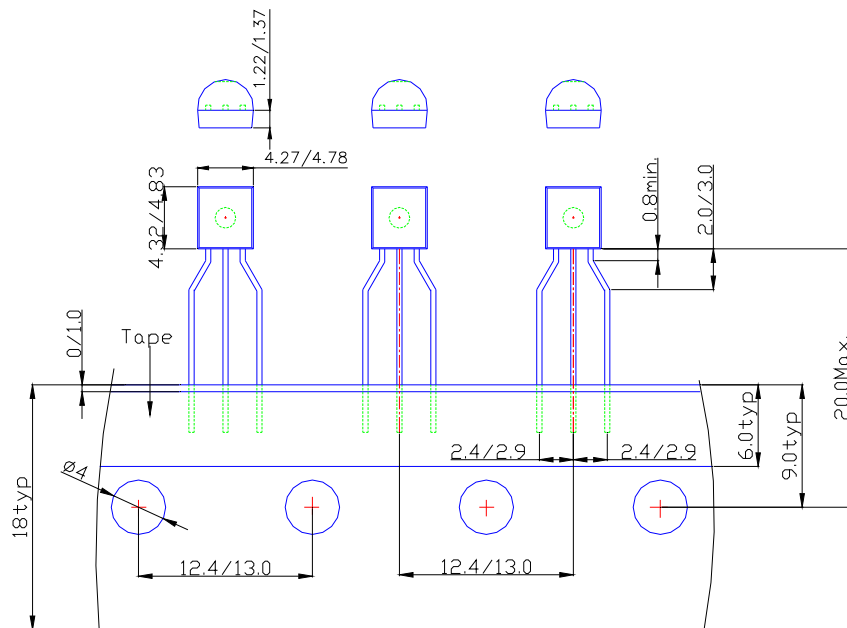
Package Outline Dimensions (All Dimensions in mm)

(1) Package Type: TO92



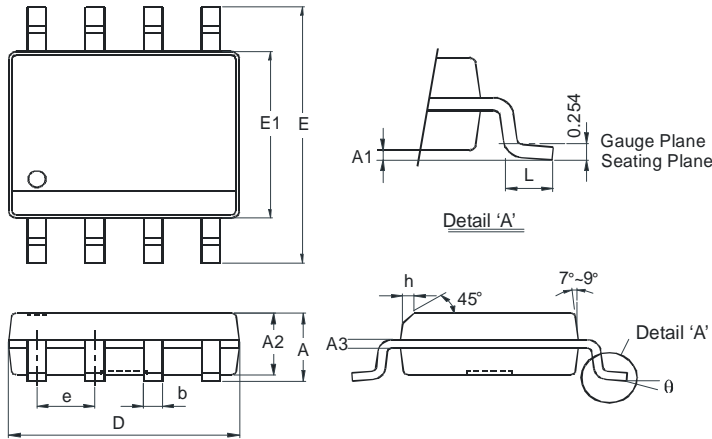
TO92-3L			
Dim	Min	Max	Typ
A	3.45	3.66	-
B	4.27	4.78	-
b	-	-	0.38
c	-	-	0.38
D	-	-	3.87
E	4.32	4.83	-
e	-	-	1.27
e2	2.40	2.90	-
L	12.98	15.00	-
L1	12.80	15.00	-
L2	0.80	-	-
L3	2.00	3.00	-
N	1.22	1.37	-
All Dimensions in mm			

(2) TO92 for Ammo pack



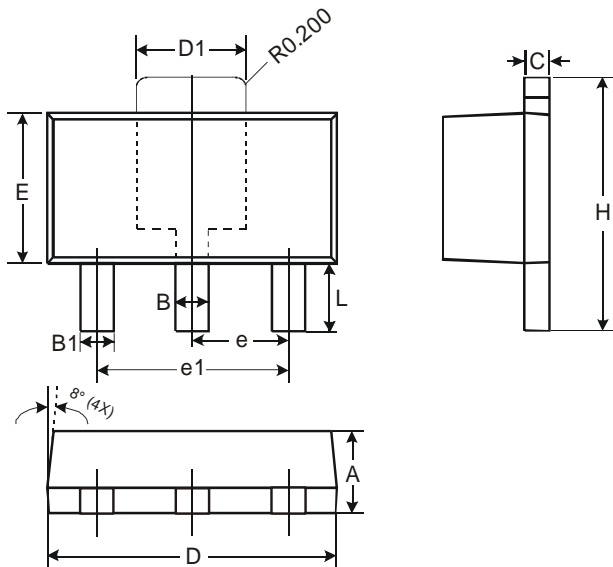
Package Outline Dimensions (cont.) (All Dimensions in mm)

(3) Package Type: SO-8



SO-8		
Dim	Min	Max
A	-	1.75
A1	0.10	0.20
A2	1.30	1.50
A3	0.15	0.25
b	0.3	0.5
D	4.85	4.95
E	5.90	6.10
E1	3.85	3.95
e	1.27 Typ	
h	-	0.35
L	0.62	0.82
θ	0°	8°
All Dimensions in mm		

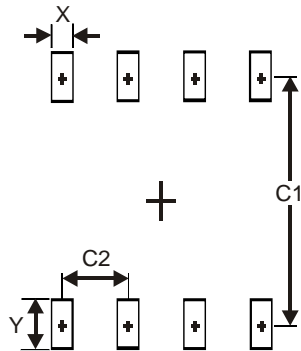
(4) Package Type: SOT89



SOT89		
Dim	Min	Max
A	1.40	1.60
B	0.44	0.62
B1	0.35	0.54
C	0.35	0.43
D	4.40	4.60
D1	1.52	1.83
E	2.29	2.60
e	1.50 Typ	
e1	3.00 Typ	
H	3.94	4.25
L	0.89	1.20
All Dimensions in mm		

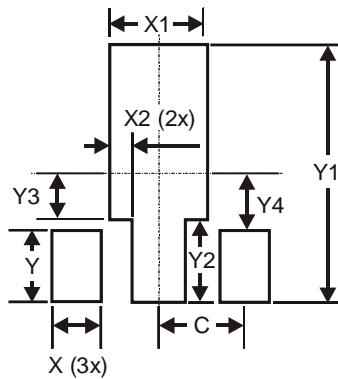
Suggested Pad Layout (All Dimensions in mm)

(1) Package Type: SO-8



Dimensions	Value (in mm)
X	0.60
Y	1.55
C1	5.4
C2	1.27

(2) Package Type: SOT89



Dimensions	Value (in mm)
X	0.900
X1	1.733
X2	0.416
Y	1.300
Y1	4.600
Y2	1.475
Y3	0.950
Y4	1.125
C	1.500

IMPORTANT NOTICE

DIODES INCORPORATED MAKES NO WARRANTY OF ANY KIND, EXPRESS OR IMPLIED, WITH REGARDS TO THIS DOCUMENT, INCLUDING, BUT NOT LIMITED TO, THE IMPLIED WARRANTIES OF MERCHANTABILITY AND FITNESS FOR A PARTICULAR PURPOSE (AND THEIR EQUIVALENTS UNDER THE LAWS OF ANY JURISDICTION).

Diodes Incorporated and its subsidiaries reserve the right to make modifications, enhancements, improvements, corrections or other changes without further notice to this document and any product described herein. Diodes Incorporated does not assume any liability arising out of the application or use of this document or any product described herein; neither does Diodes Incorporated convey any license under its patent or trademark rights, nor the rights of others. Any Customer or user of this document or products described herein in such applications shall assume all risks of such use and will agree to hold Diodes Incorporated and all the companies whose products are represented on Diodes Incorporated website, harmless against all damages.

Diodes Incorporated does not warrant or accept any liability whatsoever in respect of any products purchased through unauthorized sales channel.

Should Customers purchase or use Diodes Incorporated products for any unintended or unauthorized application, Customers shall indemnify and hold Diodes Incorporated and its representatives harmless against all claims, damages, expenses, and attorney fees arising out of, directly or indirectly, any claim of personal injury or death associated with such unintended or unauthorized application.

Products described herein may be covered by one or more United States, international or foreign patents pending. Product names and markings noted herein may also be covered by one or more United States, international or foreign trademarks.

LIFE SUPPORT

Diodes Incorporated products are specifically not authorized for use as critical components in life support devices or systems without the express written approval of the Chief Executive Officer of Diodes Incorporated. As used herein:

A. Life support devices or systems are devices or systems which:

1. are intended to implant into the body, or
2. support or sustain life and whose failure to perform when properly used in accordance with instructions for use provided in the labeling can be reasonably expected to result in significant injury to the user.

B. A critical component is any component in a life support device or system whose failure to perform can be reasonably expected to cause the failure of the life support device or to affect its safety or effectiveness.

Customers represent that they have all necessary expertise in the safety and regulatory ramifications of their life support devices or systems, and acknowledge and agree that they are solely responsible for all legal, regulatory and safety-related requirements concerning their products and any use of Diodes Incorporated products in such safety-critical, life support devices or systems, notwithstanding any devices- or systems-related information or support that may be provided by Diodes Incorporated. Further, Customers must fully indemnify Diodes Incorporated and its representatives against any damages arising out of the use of Diodes Incorporated products in such safety-critical, life support devices or systems.

Copyright © 2012, Diodes Incorporated

www.diodes.com