



Series 0600 Strip-Line Headers with Coined Contacts

FEATURES:

- Aries Strip-Line headers are available with either fork or post style coined contacts. Consult Data Sheet No.12036 for pin=line headers with screw machine contacts.
- "Break" feature allows header to be cut to the number of positions desired.
- Side-to-side and end-to-end stackable.

SPECIFICATIONS:

- Body material is black UL 94-V0 Glass-filled 4/6 Nylon.
- Coined contacts are Brass, 1/2 hard
- Contact plating:
 "0"= 200µ" min. Matte Tin plating per ASTM B545-97 over 50µ" min Nickel per QQ-N-290.
 "1"=10µ" min Gold per MIL-G-45204 over 50µ" min Nickel per QQ-N-290.
 "0TL"=200µ" min Tin/Lead 90/10 per MIL-T-10727 over 50µ" min Nickel per QQ-N-290.
- Contact current rating =2 Amps.
- Operating temperature=221°F [105°C] Tin & Tin/lead plating, =257°F [125°C] Gold plating.
- Fork contact accepts up to .025 [.64] diameter leads.

MOUNTING CONSIDERATIONS:

- Suggested PCB hole size=.035±.002 [.89 ± .05] dia.

"A"=NO. OF PINS PER ROW X .100 [2.54]

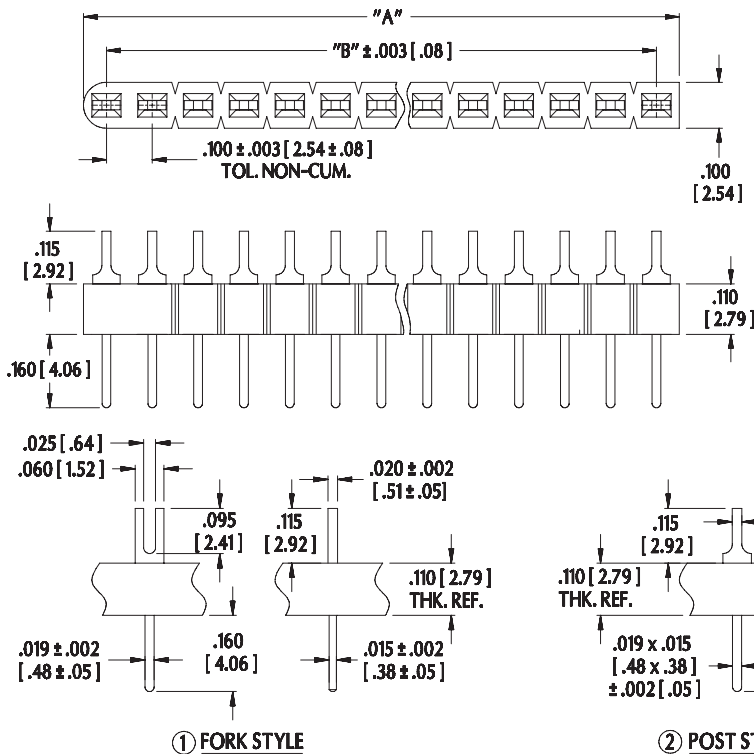
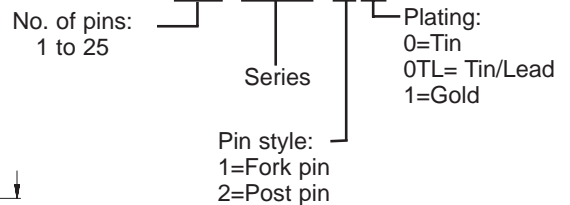
"B"=(NO. OF PINS PER ROW - 1) X.100 {2.54}



Note: Aries specializes in custom design and production. In addition to the standard products shown on this page, special materials, platings, sizes, and configurations can be furnished, depending on quantities. Aries reserves the right to change product specifications without notice.

ORDERING INFORMATION

XX-0600-XX



ALL DIMENSIONS: INCHES [MILLIMETERS]

All tolerances ± .005 [.13] unless otherwise specified

Consult Data Sheet No. 12036 for pin line headers with screw machine contacts



Frenchtown, NJ USA
TEL: (908) 996-6841
FAX: (908) 996-3891



12034
REV.C