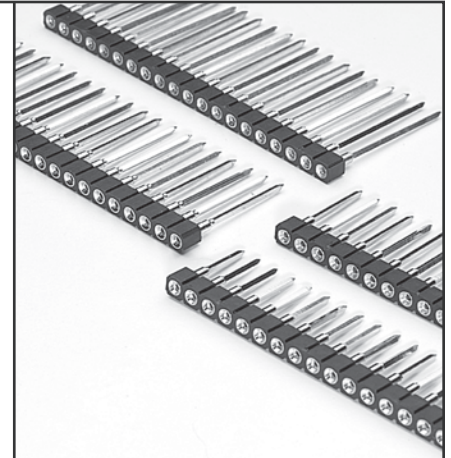


**Fig. 1**

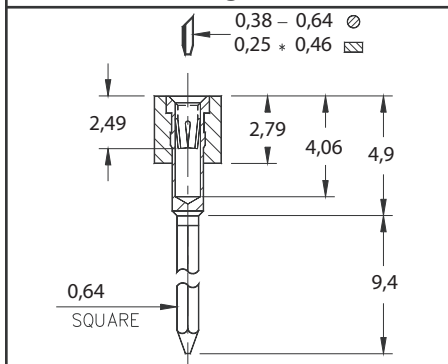
- Wraposts available in 4 levels using M-M pin numbers:

- 1-Level uses pin # 0040-1
- 2-Level uses pin # 0089-2
- 3-Level uses pin # 0088-3
- 4-Level uses pin # 0086-4

- Hi-Rel, 4-finger BeCu #30 clip rated at 3 amps. See page 208 for details.

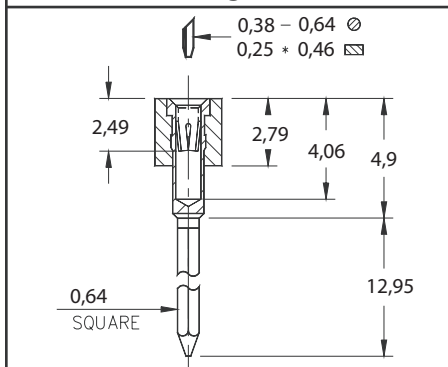


**Ordering Information**



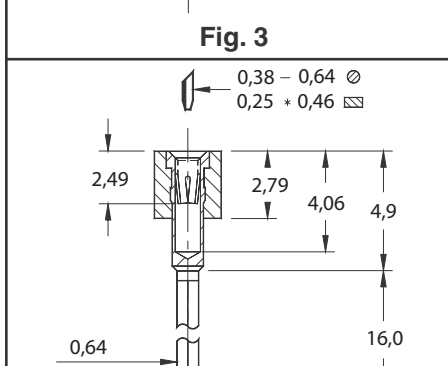
**Fig. 2**

<b>Fig. 1</b>	<b>Series 321...001</b>	<b>1 Level Wrapost</b>
	321-XX-1__-41-001000 Specify # of pins → 01-64	



**Fig. 3**

<b>Fig. 2</b>	<b>Series 322...001</b>	<b>2 Level Wrapost</b>
	322-XX-1__-41-001000 Specify # of pins → 01-64	



**Fig. 4**

<b>Fig. 3</b>	<b>Series 323...001</b>	<b>3 Level Wrapost</b>
	323-XX-1__-41-001000 Specify # of pins → 01-64	

<b>Fig. 4</b>	<b>Series 324...002</b>	<b>4 Level Wrapost</b>
	324-XX-1__-41-002000 Specify # of pins → 01-64	

**XX=Plating Code**  
**See Below**



*For RoHS compliance, select  $\diamond$  plating code. For the all gold option (XX=13) also change part number from 32X-XX-1XX-41-00X000 to 32X-13-1XX-41-00X100*

SPECIFY PLATING CODE XX=	13 $\diamond$	93	43 $\diamond$
Sleeve (Pin)	0,25 $\mu$ m Au	5,08 $\mu$ m Sn/Pb	5,08 $\mu$ m Sn
Contact (Clip)	0,76 $\mu$ m Au	0,76 $\mu$ m Au	0,76 $\mu$ m Au