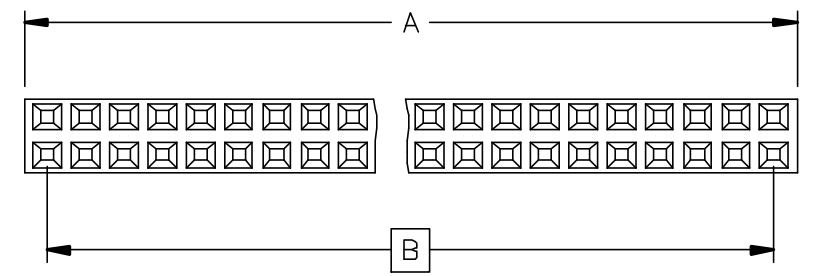


Rev	Description	Date	By
A	INITIAL RELEASE	07/07/99	VAR
B	ADDED P/N (REF ESR 99016)	07/15/99	VAR

NOTES: UNLESS OTHERWISE SPECIFIED

- 1 INTERPRET THIS DRAWING IN ACCORDANCE WITH ASME Y14.5M-1994
- 2 THIS PRODUCT CONFORMS TO ALL APPLICABLE PC\104 CONNECTOR SPECIFICATIONS.
- 3 FOR OTHER SIZES, FINISHES OR ADDITIONAL DATA CONTACT TEKA'S CUSTOMER SERVICE DEPARTMENT.



MATERIALS:

HOUSING: HIGH TEMPERATURE THERMOPLASTIC, UL RATED 94-V0
CONTACT: PHOSPHOR BRONZE ALLOY

CONTACT FINISH:

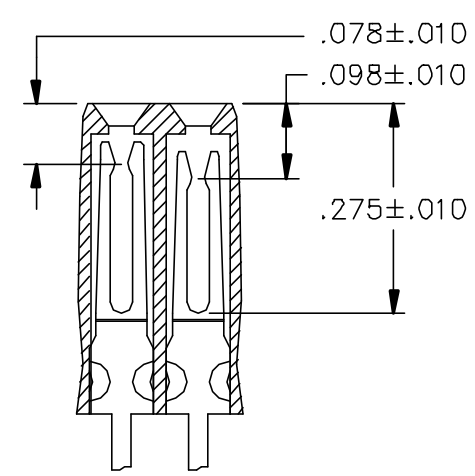
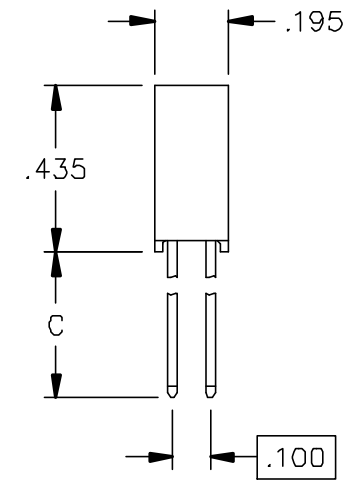
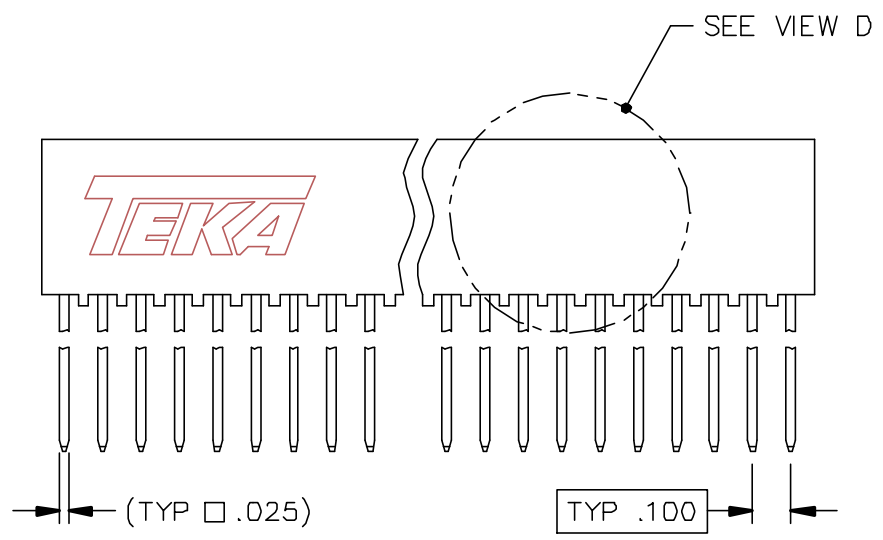
FEMALE INTERFACE: (SEE TABLE II)
MALE INTERFACE: (SEE TABLE II)
UNDERPLATE: 50 MICROINCHES MINIMUM NICKEL

PERFORMANCE CHARACTERISTICS - MECHANICAL


INSERTION FORCE: 2.5 OZ PER CONTACT MAX AVG
WITHDRAWAL FORCE: 1 OZ MIN AVG
NORMAL FORCE: 50 GRAMS MIN (PER BEAM) EOL
DURABILITY: 25 CYCLES MINIMUM
OPERATING TEMP: -55°C - 85°C

PERFORMANCE CHARACTERISTICS - ELECTRICAL

CONTACT RESISTANCE: 20 MILLIOHMS MAX INITIAL W/
30 MILLIOHMS MAX AFTER TEST
CURRENT CAPACITY: 3 AMPS MAX PER CONTACT
DIELECTRIC STRENGTH: 1000 VAC
INSULATION RESISTANCE: 10,000 MEGAOHMS MIN

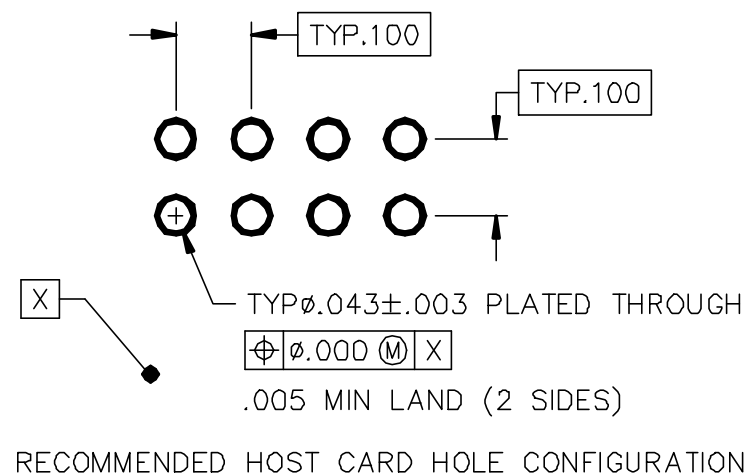



VIEW D - SCALE=4:1
LOW INSERTION FORCES ARE ACHIEVED THROUGH A STEPPED INSERTION

Drawn by: J CACHINA	Date: 07/07/99	 AN INTERPLEX INDUSTRIES CO. 100 PIONEER AVE WARWICK, R.I. 02888 TEL: (401) 785-4110 FAX: (401) 781-5730 E-MAIL: sales@tekais.com
Checked by: JSC	Date: 07/07/99	
Title: PC\104 CONNECTOR		Part No: PC2___-A-1___-0
Ref No: S99016	Scale: 2:1	Sheet 1 of 2

Rev	Description	Date	By
B	ALL REVISIONS - SEE SHEET 1	---	---

TABLE I - PC\104 PRODUCT DESCRIPTION						TABLE II - PC\104 FINISH DESCRIPTION (MICROINCHES)		
PART NUMBER	DESIGNATION	POSITIONS (2X)	A±.010	B	C±.010	FEMALE INTERFACE GOLD	MALE INTERFACE GOLD	SOLDER TAIL TIN-LEAD
PC232-A-1A7-0	J1/P1	32	3.220	3.100	.480	20 MINIMUM	FLASH	NOT APPLICABLE
PC232-A-1A9-0						30 MINIMUM	30 MINIMUM	
PC220-A-1A7-0	J2/P2	20	2.020	1.900		20 MINIMUM	FLASH	
PC220-A-1A9-0						30 MINIMUM	30 MINIMUM	
PC232-A-1B5-0	J1	32	3.220	3.100	.090	20 MINIMUM	NOT APPLICABLE	100 MIN
PC232-A-1B6-0						30 MINIMUM	30 MINIMUM	NOT APPLICABLE
PC232-A-1B9-0	J2	20	2.020	1.900		20 MINIMUM	NOT APPLICABLE	100 MIN
PC220-A-1B5-0						30 MINIMUM	30 MINIMUM	NOT APPLICABLE
PC220-A-1B6-0								
PC220-A-1B9-0								



Unless otherwise specified: All dimensions are: Inches [mm]	Drawn by: J CACHINA	Date: 07/07/99	 AN INTERPLEX INDUSTRIES CO. 100 PIONEER AVE WARWICK, R.I. 02888 TEL: (401) 785-4110 FAX: (401) 781-5730 E-MAIL: sales@tekais.com
-Tolerances-	Checked by: JSC	Date: 07/07/99	
No of places IN [mm] one ±.1 ±2,54 two ±.02 ±0,5 three ±.005 ±0,13	Title: PC\104 CONNECTOR		Part No: PC2__-A-1__-0
Angular ±1°	Ref No: S99016	Scale: 1:1	Sheet 2 of 2