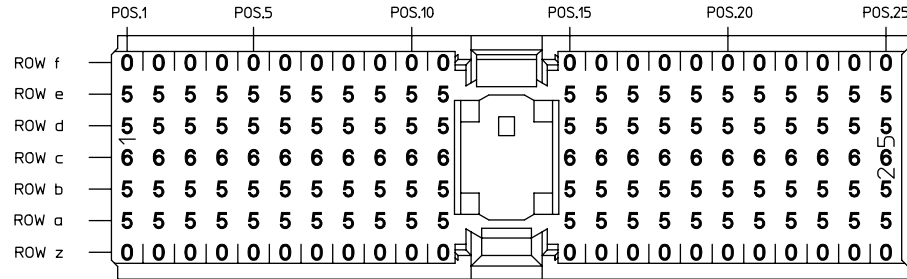


**NOTES:**

- THIS CONNECTOR IS DESIGNED TO MEET THE APPLICABLE PERFORMANCE REQUIREMENTS OF IEC 61076-4-101 AND BELL CORE GR-1217-CORE.
- REFER TO INDEX DOCUMENT No. 29600 FOR A CURRENT LISTING OF MetCon-2™ CONNECTOR SYSTEM INFORMATION.
- CONNECTORS ARE END STACKABLE ON A .07874/2.0 GRID.
- FOR COMPLIANT CONTACT PLATED THRU HOLE REQUIREMENTS SEE THRU HOLE PLATING VIEW. MINIMUM P.C. BOARD THICKNESS .062/1.57 NOMINAL.
- DIMENSIONS APPLY AFTER INSTALLATION.
- CONNECTOR WITH MIXED PIN LENGTH LOADING PER PICMG™ 2.0 R2.1.
- .0078/0.2 MAX. GAP PERMISSIBLE TO PC BOARD.

**NX SERIES – MetCon-2™ BACKPANEL PIN CONNECTORS**

REV	DESCRIPTION	BY DATE	APPD
C	REVISED PER ECR# 7849	CM/B: 10/06/03	LMD



PIN CODE	MATING LENGTH		TERMINATION LENGTH L
	M	N	L
0	NO CONTACTS LOADED		
5	.268/6.80	.382/9.70	.146/3.70
6	.327/8.30	.441/11.20	.146/3.70

**SPECIFICATIONS**

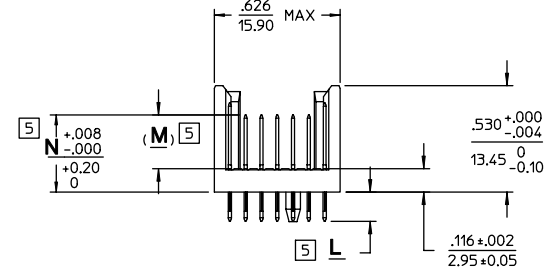
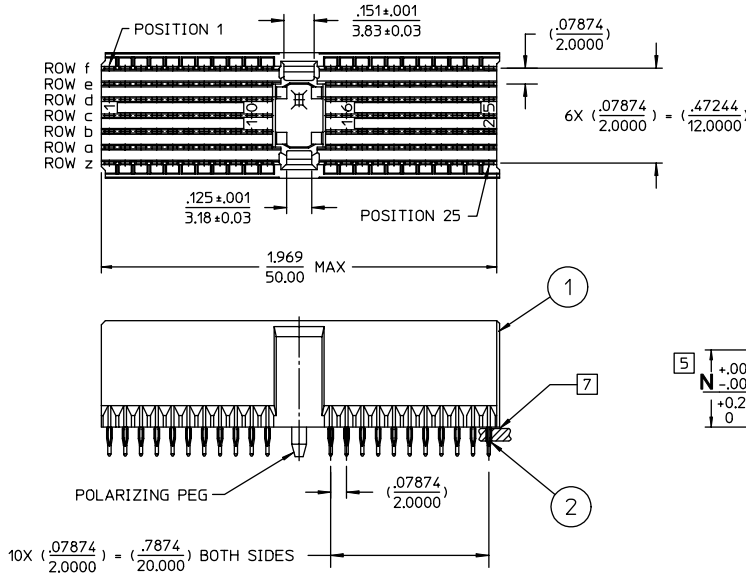
**MATERIALS**

- Insulators — Thermoplastic Polyester, glass filled Rated UL 94V-0. Color: Gray
- Pin contacts — Copper Alloy Finish: Mating Zone = Gold over Nickel Compliant Zone = Tin/Lead

**PERFORMANCE CHARACTERISTICS**

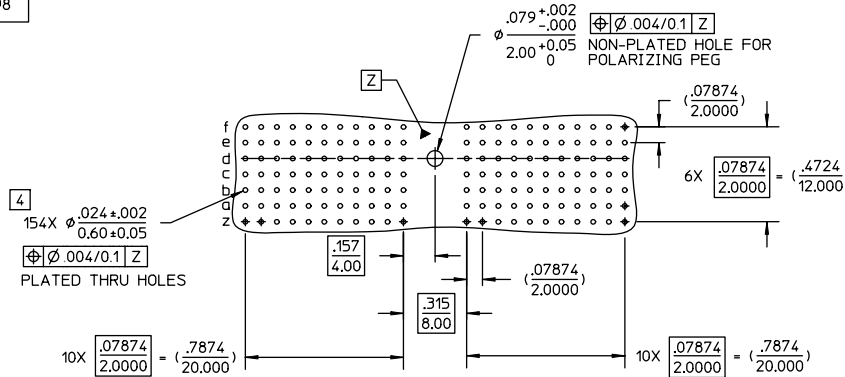
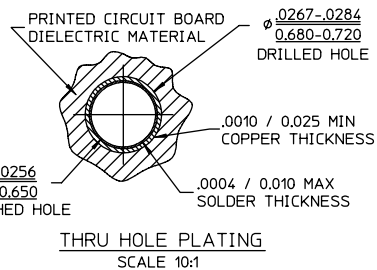
- Insulation resistance — 5,000 megohms minimum
  - Dielectric withstanding voltage (at sea level) — 750 Vrms
  - Current rating — 1 amp @ 70°C, fully loaded
  - Operating temperature range — -55°C to +125°C
  - Contact resistance — 20 milliohms maximum
  - Performance level per IEC 61076-4-101 — level 2
  - cUL — FILE E31650
- Compliant Contact
  - Max. Insertion Force (per contact) — 22.5 lbs. / 100 N
  - Min. Retention Force (per contact) — 4.5 lbs. / 20 N

**SELECTIVE LOADING PATTERN**



DESCRIPTION	SEATING TOOL CATALOG No.	INSTRUCTION SHEET	DRAWING NUMBER
BACKPANEL MODULE TYPE A	107-43896-01	43500	43896
INSERTION UNIT HOLDER 5 +2 ROW MODULES	107-43901-01	43500	43901
INSERTION TOOL FOR INDIVIDUAL SHIELDING CONTACTS	107-43900-01	43505	43900
INSERTION TOOL FOR INDIVIDUAL SIGNAL CONTACTS	107-43899-01	43504	43899
EXTRACTION TOOL FOR INDIVIDUAL CONTACTS	107-43898-01	43503	43898

**CATALOG No. NX5A0BA45X00AA SHOWN**



**RECOMMENDED PC BOARD REQUIREMENTS**  
(COMPONENT SIDE OF BOARD SHOWN)

PER ASME Y14.5M-1994  
UNLESS OTHERWISE SPECIFIED:  
DIMENSIONS ARE IN INCHES OR INCHES/MM  
TOLERANCES: .MM  
DECIMALS .XX ± .02/0.5  
.XXX ± .004/0.10  
ANGLES ± -- SCALE: 1:1

**Litton**

Winchester  
Reticon  
400 Park Road  
Waterford, Connecticut  
06795

**CUSTOMER DRAWING**

DRAWN DATE APPROVED DATE  
MJC 08/16/00 W.P.M. 01/19/98  
APPROVED DATE APPROVED DATE  
RBradley 01/28/98 S.W.A. 01/28/98

TITLE  
METCON-2™ NX5 SERIES  
BACKPANEL CONNECTORS  
MODULE STYLE A

29530 SHT. 1 of 1 REV. C