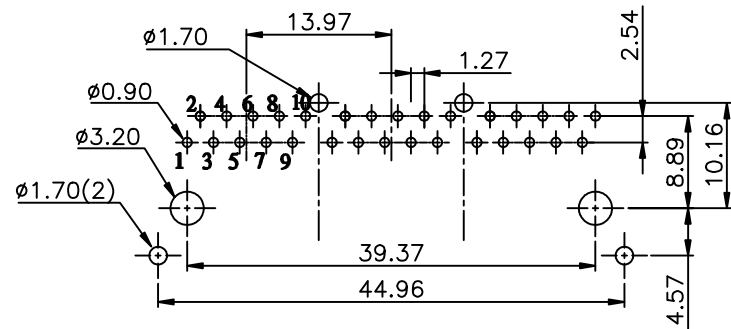
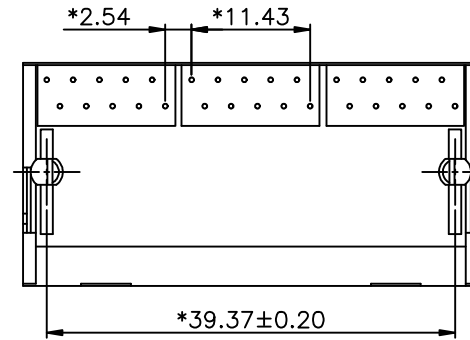
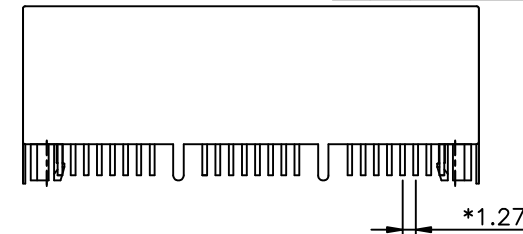
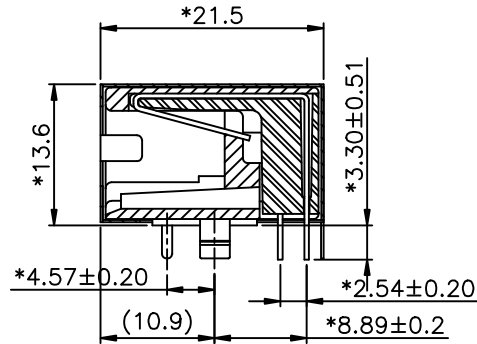
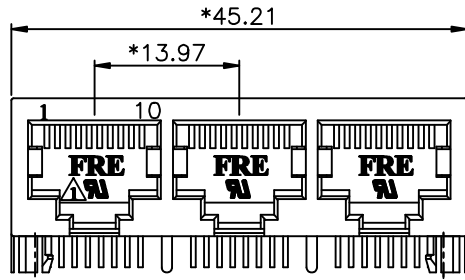


A1RFRD10

REVISION RECORD				
REV	ECO	DESCRIPTION	DRFT	CHKD
△		MODIFY DRAWING	WYD	
△		ADD PART NO.	LIXIN	
△		ADD PART NO.	02/23/05	H
△		ADD PART NO.	OSJ	
△		ADD PART NO.	03/02/05	
△		ADD PART NO.	WYD	
△		ADD PART NO.	07/02/05	



PC Board Layout Component Side Shown

**NOTES:**

**ELECTRICAL:**

- VOLTAGE RATING : 125 VAC RMS.
- CURRENT RATING : 1.5 AMP.
- CONTACT RESISTANCE : 45MILLOHMS MAX.
- INSULATION RESISTANCE: 1000 MEGOHMS MIN @ 500 VDC.
- DIELECTRIC STRENGTH : 1000 VAC RMS 60Hz, 1MIN.

**MECHANICAL:**

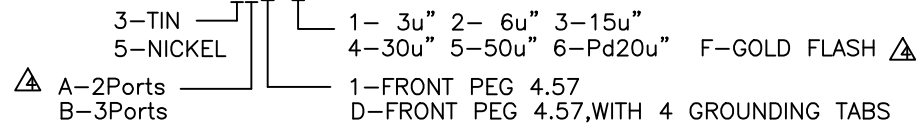
- HOUSING MATERIAL : GLASS FILLED POLYESTER UL94V-0 OR FR52.
- CONTACT MATERIAL : PHOSPHOR BRONZE  $\phi$ 0.46mm.
- PLATING : GOLD PLATING OVER NICKEL
- OPERATING LIFE : 750 CYCLES MIN.
- PCB RETENTION PRE-SOLDER : 1 LB MIN.
- PCB RETENTION POST-SOLDER: 10 LBS MIN.

**ENVIRONMENTAL:**

- STORAGE : -40°C TO +85°C.
- OPERATION: 0°C TO 70°C.

MATES WITH MODULAR PLUG CONFORMING TO FCC PART 68, SUBPART F.

PART NUMBER: E5908-1XXX2X



MM (INCH)		DFTO LIEN	DATE 7/23/99
TOLERANCES EXCEPT AS NOTED		CHKD	DATE
		MFO	DATE
DETACHED LISTS		APPVL XLF	DATE 07/11/05
MM	±	MATERIAL :	
.0 ±0.20	±	QT'Y :	
.00 ±0.15	±	FINISH :	
.000 ±0.075	±	SCALE : 2;1	
ANGLES ±		THIRD ANGLE PROJECTION	

FULL RISE ELECTRONIC CO., LTD

TITLE 20.57 PCB JACK 10P

DRAWING NO. GE593A10  
/PART NO. see note

DO NOT SCALE DRAWING

SHEET X OF Y

SIZE A3  
REV 4

8

7

6

5

4

3

2

1

A

B

C

D

E

F

G

H