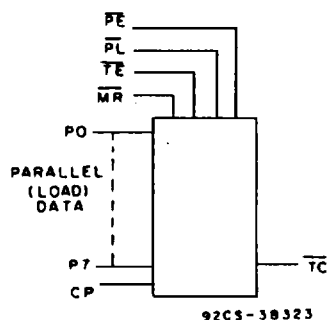


CD54/74HC40102, CD54/74HCT40102 CD54/74HC40103, CD54/74HCT40103

High-Speed CMOS Logic



FUNCTIONAL DIAGRAM

8-Stage Synchronous Down Counters

40102 - 2-Decade BCD Type
40103 - 8-Bit Binary Type

Type Features:

- Synchronous or asynchronous preset
- Cascadable in synchronous or ripple mode

Family Features:

- Fanout (Over Temperature Range):
Standard Outputs - 10 LSTTL Loads
Bus Driver Outputs - 15 LSTTL Loads
- Wide Operating Temperature Range:
-55 to +125°C
- Balanced Propagation Delay and Transition Times
- Significant Power Reduction Compared to LSTTL Logic ICs
- Alternate Source is Philips/Signetics
- CD54HC/CD74HC Types:
2 to 6 V Operation
High Noise Immunity: $N_{IL} = 30\%$, $N_{IH} = 30\%$ of V_{CC} :
@ $V_{CC} = 5 V$
- CD54HCT/CD74HCT Types:
4.5 to 5.5 V Operation
Direct LSTTL Input Logic Compatibility
 $V_{IL} = 0.8 V$ Max., $V_{IH} = 2 V$ Min.
CMOS Input Compatibility
 $I_i \leq 1 \mu A$ @ V_{OL} , V_{OH}

The Harris CD54/74HC40102, 40103 and CD54/74HCT40102, 40103 are manufactured with high speed silicon gate technology and consist of an 8-stage synchronous down counter with a single output which is active when the internal count is zero. The 40102 is configured as two cascaded 4-bit BCD counters, and the 40103 contains a single 8-bit binary counter. Each type has control inputs for enabling or disabling the clock, for clearing the counter to its maximum count, and for presetting the counter either synchronously or asynchronously. All control inputs and the \overline{TC} output are active-low logic.

In normal operation, the counter is decremented by one count on each positive transition of the CLOCK (CP). Counting is inhibited when the \overline{TE} input is high. The \overline{TC} output goes low when the count reaches zero if the \overline{TE} input is low, and remains low for one full clock period.

When the \overline{PE} input is low, data at the P0-P7 inputs are clocked into the counter on the next positive clock transition regardless of the state of the \overline{TE} input. When the \overline{PL} input is low, data at the P0-P7 inputs are asynchronously forced into the counter regardless of the state of the \overline{PE} , \overline{TE} , or CLOCK inputs. Input P0-P7 represent two 4-bit BCD words for the 40102 and a single 8-bit binary word for the 40103. When the MR input is low, the counter is asynchronously cleared to its maximum count (99₁₀ for the 40102 and 255₁₀ for the 40103) regardless of the state of any other input. The precedence relationship between control inputs is indicated in the truth table.

If all control inputs except \overline{TE} are high at the time of zero count, the counters will jump to the maximum count, giving a counting sequence of 100 or 256 clock pulses long.

The 40102 and 40103 may be cascaded using the \overline{TE} input and the \overline{TC} output, in either a synchronous or ripple mode.

These circuits possess the low power consumption usually associated with CMOS circuitry, yet have speeds comparable to low power Schottky TTL circuits and can drive up to 10 LSTTL loads.

The CD54HC40102, 40103, and CD54HCT40102, 40103 are supplied in 16-lead hermetic dual-in-line ceramic packages (F suffix). The CD74HC40102, 40103 and CD74HCT40102, 40103 are supplied in 16-lead dual-in-line plastic packages (E suffix) and in 16-lead dual-in-line surface mount plastic packages (M suffix). Both types are also available in chip form (H suffix).

CD54/74HC40102, CD54/74HCT40102 CD54/74HC40103, CD54/74HCT40103

MAXIMUM RATINGS, Absolute-Maximum Values:

DC SUPPLY-VOLTAGE, (V _{cc}): (Voltages referenced to ground)	-0.5 to 1.7 V
DC INPUT DIODE CURRENT, I _{IK} (FOR V _i < -0.5 V OR V _i > V _{cc} + 0.5V)	±20mA
DC OUTPUT DIODE CURRENT, I _{OK} (FOR V _o < -0.5 V OR V _o > V _{cc} + 0.5V)	±20mA
DC DRAIN CURRENT, PER OUTPUT (I _o) (FOR -0.5 V < V _o < V _{cc} + 0.5V)	±25mA
DC V _{cc} OR GROUND CURRENT (I _{cc})	±50mA
POWER DISSIPATION PER PACKAGE (P _D):	
For T _A = -55 to +100°C (PACKAGE TYPE E, F, H)	500 mW
For T _A = +100 to +125°C (PACKAGE TYPE E, F, H)	Derate Linearly at 8 mW/°C to 300 mW
For T _A = -55 to +70°C (PACKAGE TYPE M)	400 mW
For T _A = +70 to +125°C (PACKAGE TYPE M)	Derate Linearly at 6 mW/°C to 70 mW
OPERATING-TEMPERATURE RANGE (T _A)	-55 to +125°C
STORAGE TEMPERATURE (T _{stg})	-65 to +150°C
LEAD TEMPERATURE (DURING SOLDERING):	
At distance 1/16 ± 1/32 in. (1.59 ± 0.79 mm) from case for 10 s max.	+265°C
Unit inserted into a PC Board (min. thickness 1/16 in., 1.59 mm) with solder contacting lead tips only	+300°C

RECOMMENDED OPERATING CONDITIONS:

For maximum reliability, nominal operating conditions should be selected so that operation is always within the following ranges:

CHARACTERISTIC	LIMITS		UNITS
	MIN.	MAX.	
Supply-Voltage Range (For T _A = Full Package Temperature Range) V _{CC} :* CD54/74HC Types CD54/74HCT Types	2 4.5	6 5.5	V V
DC Input or Output Voltage V _i , V _o	0	V _{CC}	V
Operating Temperature T _A	-55	+125	°C
Input Rise and Fall Times, t _r , t _f at 2 V at 4.5 V at 6 V	0 0 0	1000 500 400	ns ns ns

*Unless otherwise specified, all voltages are referenced to Ground.

CD54/74HC40102, CD54/74HCT40102 CD54/74HC40103, CD54/74HCT40103

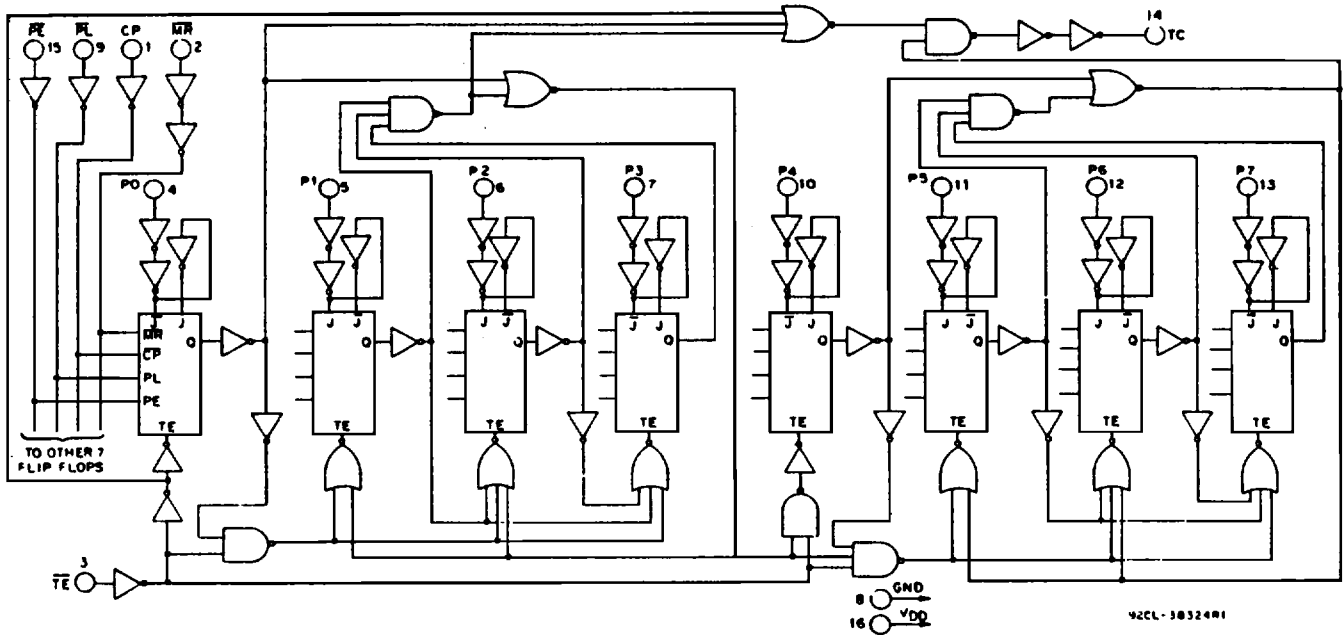


Fig. 1 - Logic diagram for the CD54/74HC/HCT40102.

TRUTH TABLE

CONTROL INPUTS				PRESET MODE	ACTION
\overline{MR}	\overline{PL}	\overline{PE}	\overline{TE}		
1	1	1	1	Synchronous	Inhibit Counter
1	1	1	0		Count Down
1	1	0	X		Preset On Next Positive Clock Transition
1	0	X	X	Asynchronously	Preset Asynchronously
0	X	X	X		Clear to Maximum Count

Notes:

- 0 = Low Level
1 = High Level
X = Don't Care
- Clock Connected to Clock Input.

- Synchronous operation: Changes Occur on Negative-to-Positive Clock Transitions.
- Load Inputs: 40102 BCD: MSD = P7, P6, P5, P4 (P7 is MSB)
LSD = P3, P2, P1, P0 (P3 is MSB)
40103 Binary: MSB = P7, LSB = P0

CD54/74HC40102, CD54/74HCT40102 CD54/74HC40103, CD54/74HCT40103

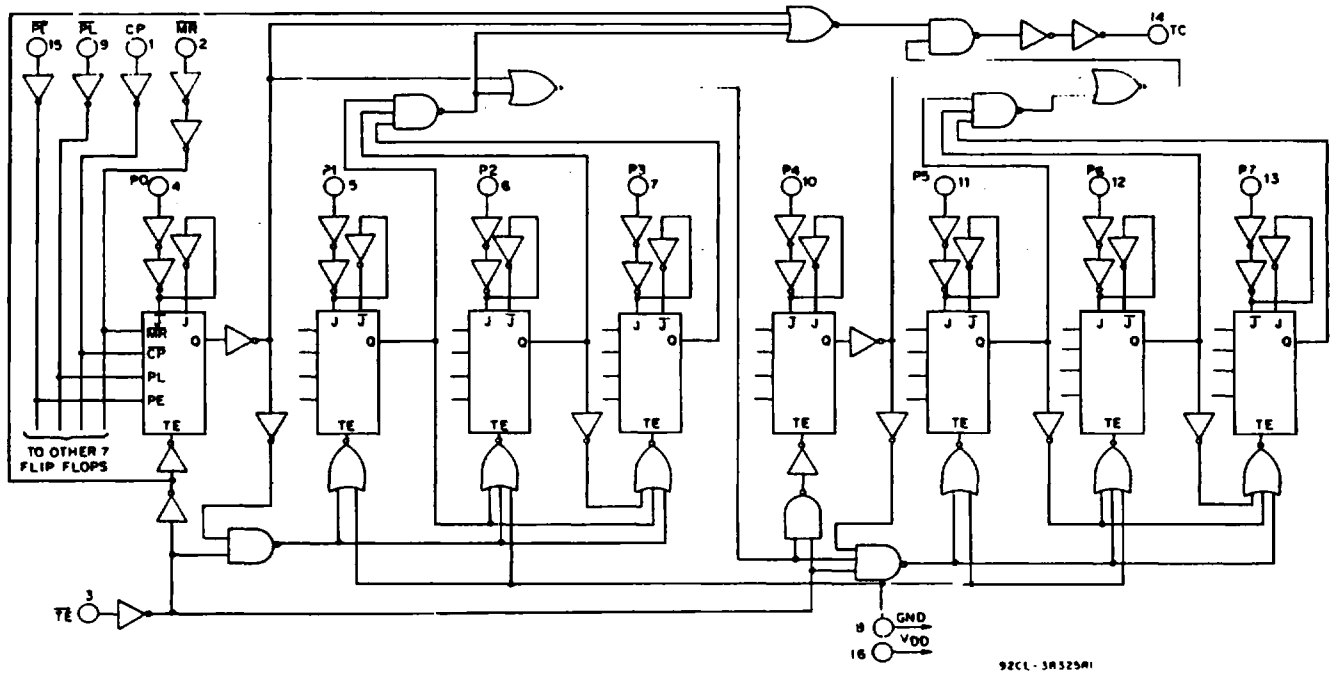
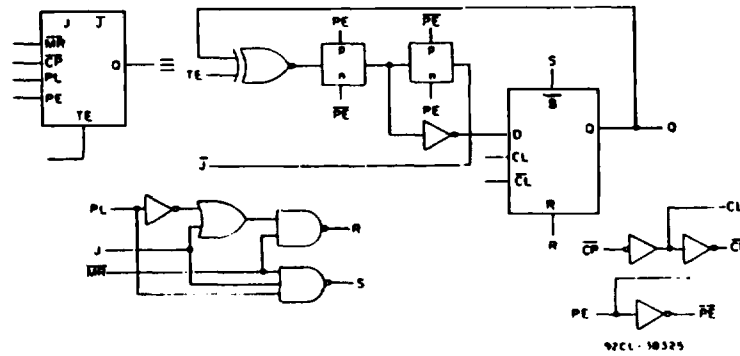


Fig. 2 - Logic diagram for the CD54/74HC/HCT40103.



Flip-Flop detail.

CD54/74HC40102, CD54/74HCT40102

CD54/74HC40103, CD54/74HCT40103

STATIC ELECTRICAL CHARACTERISTICS

CHARACTERISTICS	CD74HC40102-40103/CD54HC40102-40103										CD74HCT40102-40103/CD54HCT40102-40103										UNITS
	TEST CONDITIONS			AMBIENT TEMPERATURE (T _A)							TEST CONDITIONS		AMBIENT TEMPERATURE (T _A)								
	V _i	I _o	V _{cc}	+25°C			-40/ +85°C		-55/ +125°C		V _i	V _{cc}	+25°C			-40/ +85°C		-55/ +125°C			
				Min	Typ	Max	Min	Max	Min	Max			Min	Typ	Max	Min	Max	Min	Max		
High-Level Input Voltage V _{ih}			2	1.5	—	—	1.5	—	1.5	—	—	4.5 to 5.5	2	—	—	2	—	2	—		
			4.5	3.15	—	—	3.15	—	3.15	—											
			6	4.2	—	—	4.2	—	4.2	—											
Low-Level Input Voltage V _{il}			2	—	—	0.5	—	0.5	—	0.5	—	4.5 to 5.5	—	—	0.8	—	0.8	—	0.8		
			4.5	—	—	1.35	—	1.35	—	1.35											
			6	—	—	1.8	—	1.8	—	1.8											
High-Level Output Voltage V _{oh} CMOS Loads	V _{ih} or V _{ih}	-0.02	2	1.9	—	—	1.9	—	1.9	—	V _{ih} or V _{ih}	4.5	4.4	—	—	4.4	—	4.4	—		
			4.5	4.4	—	—	4.4	—	4.4	—											
			6	5.9	—	—	5.9	—	5.9	—											
TTL Loads	V _{ih} or V _{ih}	-4 to -5.2	4.5	3.98	—	—	3.84	—	3.7	—	V _{ih} or V _{ih}	4.5	3.98	—	—	3.84	—	3.7	—		
			6	5.48	—	—	5.34	—	5.2	—											
Low-Level Output Voltage V _{ol} CMOS Loads	V _{ih} or V _{ih}	0.02	2	—	—	0.1	—	0.1	—	0.1	V _{ih} or V _{ih}	4.5	—	—	0.1	—	0.1	—	0.1		
			4.5	—	—	0.1	—	0.1	—	0.1											
			6	—	—	0.1	—	0.1	—	0.1											
TTL Loads	V _{ih} or V _{ih}	4 to 5.2	4.5	—	—	0.26	—	0.33	—	0.4	V _{ih} or V _{ih}	4.5	—	—	0.26	—	0.33	—	0.4		
			6	—	—	0.26	—	0.33	—	0.4											
Input Leakage Current I _i	V _{cc} or Gnd		6	—	—	±0.1	—	±1	—	±1	Any Voltage Between V _{cc} and Gnd	5.5	—	—	±0.1	—	±1	—	±1		
Quiescent Device Current I _{cc}	V _{cc} or Gnd	0	6	—	—	8	—	80	—	160			V _{cc} or Gnd	5.5	—	—	8	—	80	—	160
Additional Quiescent Device Current per Input Pin: 1 Unit Load ΔI _{cc}											V _{cc} -2.1 to 5.5	4.5 to 5.5	—	100	360	—	450	—	490		

*For dual-supply systems theoretical worst case (V_i = 2.4 V, V_{cc} = 5.5 V) specification is 1.8 mA.

HCT Input Loading Table

Input	Unit Loads *
P0 - P7	0.20
TE, MR	0.40
CP	0.60
PE	0.80
PL	1.35

* Unit load is ΔI_{cc} limit specified in Static Characteristic Chart, e.g., 360 μA max. @ 25°C.

CD54/74HC40102, CD54/74HCT40102 CD54/74HC40103, CD54/74HCT40103

SWITCHING CHARACTERISTICS ($V_{CC} = 5\text{ V}$, $T_A = 25^\circ\text{C}$, Input $t_r, t_f = 6\text{ ns}$)

CHARACTERISTIC	SYMBOL	C_L (pF)	TYPICAL VALUES		UNITS
			HC	HCT	
Propagation Delay CP to \overline{TC} (Sync. Preset)	t_{PHL}	15	25	25	ns
	t_{PLH}				
CP to \overline{TC} (Async. Preset)	t_{PHL}	15	25	26	ns
	t_{PLH}				
\overline{TE} to \overline{TC}	t_{PHL}	15	17	21	ns
	t_{PLH}				
\overline{PL} to \overline{TC}	t_{PHL}	15	23	28	ns
	t_{PLH}				
\overline{MR} to \overline{TC}	t_{PHL}	15	23	23	ns
	t_{PLH}				
CP Max. Frequency	f_{MAX}	15	25	25	MHz
Power Dissipation Capacitance*	C_{PD}	—	25	27	pF

* C_{PD} is used to determine the dynamic power consumption, per package.

$$P_D = C_{PD} V_{CC}^2 f_i + C_L V_{CC}^2 f_o \text{ where:}$$

f_i = input frequency.

f_o = output frequency.

C_L = output load capacitance.

V_{CC} = supply voltage.

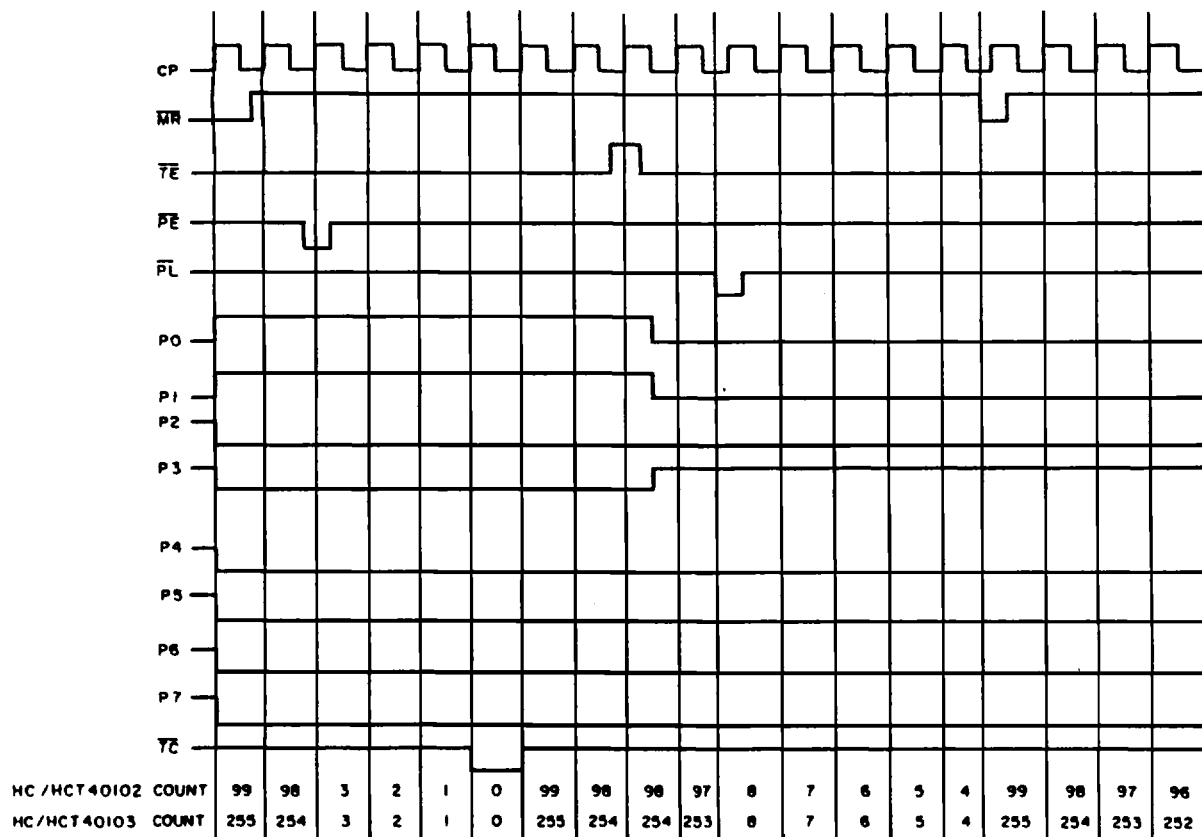


Fig. 3 - Timing diagram for HC/HCT40102 and HC/HCT40103.

CD54/74HC40102, CD54/74HCT40102 CD54/74HC40103, CD54/74HCT40103

PREREQUISITE FOR SWITCHING FUNCTION

CHARACTERISTIC	SYMBOL	V _{CC}	AMBIENT TEMPERATURE (T _A)												UNITS
			25° C				-40° C to +85° C				-55° C to +125° C				
			HC		HCT		HC		HCT		HC		HCT		
			Min.	Max.	Min.	Max.	Min.	Max.	Min.	Max.	Min.	Max.	Min.	Max.	
CP Pulse Width	t _w	2	165	—	—	—	205	—	—	—	250	—	—	—	ns
		4.5	33	—	35	—	41	—	44	—	50	—	53	—	
		6	28	—	—	—	35	—	—	—	43	—	—	—	
$\overline{\text{PL}}$ Pulse Width	t _w	2	125	—	—	—	155	—	—	—	190	—	—	—	ns
		4.5	25	—	43	—	31	—	54	—	38	—	65	—	
		6	21	—	—	—	26	—	—	—	32	—	—	—	
$\overline{\text{MR}}$ Pulse Width	t _w	2	125	—	—	—	135	—	—	—	190	—	—	—	ns
		4.5	25	—	35	—	31	—	44	—	38	—	53	—	
		6	21	—	—	—	26	—	—	—	32	—	—	—	
CP Max. Frequency*	f _{CP(Max.)}	2	3	—	—	—	2	—	—	—	2	—	—	—	MHz
		4.5	15	—	14	—	12	—	11	—	10	—	9	—	
		6	18	—	—	—	14	—	—	—	12	—	—	—	
P to CP Setup Time	t _{su}	2	100	—	—	—	125	—	—	—	150	—	—	—	ns
		4.5	20	—	24	—	25	—	30	—	30	—	36	—	
		6	17	—	—	—	21	—	—	—	26	—	—	—	
$\overline{\text{PE}}$ to CP Setup Time	t _{su}	2	75	—	—	—	95	—	—	—	110	—	—	—	ns
		4.5	15	—	20	—	19	—	25	—	22	—	30	—	
		6	13	—	—	—	16	—	—	—	19	—	—	—	
$\overline{\text{TE}}$ to CP Setup Time	t _{su}	2	150	—	—	—	190	—	—	—	225	—	—	—	ns
		4.5	30	—	40	—	38	—	50	—	45	—	60	—	
		6	26	—	—	—	33	—	—	—	38	—	—	—	
P to CP Hold Time	t _h	2	5	—	—	—	5	—	—	—	5	—	—	—	ns
		4.5	5	—	5	—	5	—	5	—	5	—	5	—	
		6	5	—	—	—	5	—	—	—	5	—	—	—	
$\overline{\text{TE}}$ to $\overline{\text{CP}}$ Hold Time	t _h	2	0	—	—	—	0	—	—	—	0	—	—	—	ns
		4.5	0	—	0	—	0	—	0	—	0	—	0	—	
		6	0	—	—	—	0	—	—	—	0	—	—	—	
$\overline{\text{MR}}$ to CP Removal Time	t _{rem}	2	50	—	—	—	65	—	—	—	75	—	—	—	ns
		4.5	10	—	10	—	13	—	13	—	15	—	15	—	
		6	9	—	—	—	11	—	—	—	13	—	—	—	
$\overline{\text{PE}}$ to $\overline{\text{CP}}$ Hold Time	t _h	2	2	—	—	—	2	—	—	—	2	—	—	—	ns
		4.5	2	—	2	—	2	—	2	—	2	—	2	—	
		6	2	—	—	—	2	—	—	—	2	—	—	—	

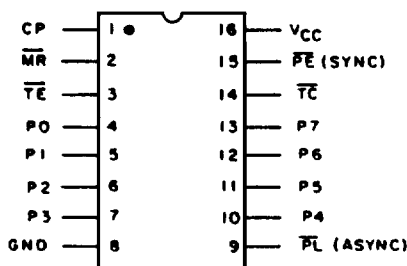
CD54/74HC40102, CD54/74HCT40102 CD54/74HC40103, CD54/74HCT40103

SWITCHING CHARACTERISTICS ($C_L = 50$ pF, Input $t_r = 6$ ns)

CHARACTERISTIC	SYMBOL	V_{CC}	AMBIENT TEMPERATURE (T_A)												UNITS	
			25°C				-40°C to +85°C				-55°C to +125°C					
			HC		HCT		HC		HCT		HC		HCT			
			Min.	Max.	Min.	Max.	Min.	Max.	Min.	Max.	Min.	Max.	Min.	Max.		
Propagation Delay CP to \overline{TC} (Async Preset)	t_{PLH}	2	—	300	—	—	—	—	375	—	—	—	450	—	—	ns
		4.5	—	60	—	60	—	75	—	75	—	90	—	90		
		6	—	51	—	—	—	64	—	—	—	77	—	—		
CP to \overline{TC} (Sync Preset)	t_{PLH}	2	—	300	—	—	—	—	375	—	—	—	450	—	—	ns
		4.5	—	60	—	63	—	75	—	79	—	90	—	95		
		6	—	51	—	—	—	64	—	—	—	77	—	—		
\overline{TE} to \overline{TC}	t_{PLH}	2	—	200	—	—	—	—	250	—	—	—	300	—	—	ns
		4.5	—	40	—	50	—	50	—	63	—	60	—	75		
		6	—	34	—	—	—	43	—	—	—	51	—	—		
\overline{PL} to \overline{TC}	t_{PLH}	2	—	275	—	—	—	—	345	—	—	—	415	—	—	ns
		4.5	—	55	—	68	—	69	—	85	—	83	—	102		
		6	—	47	—	—	—	59	—	—	—	71	—	—		
\overline{MR} to \overline{TC}	t_{PLH}	2	—	275	—	—	—	—	345	—	—	—	415	—	—	ns
		4.5	—	55	—	55	—	69	—	69	—	83	—	83		
		6	—	47	—	—	—	59	—	—	—	71	—	—		
Output Transition Time	t_{TLH}	2	—	75	—	—	—	—	95	—	—	—	110	—	—	ns
		4.5	—	15	—	15	—	19	—	19	—	22	—	22		
		6	—	13	—	—	—	16	—	—	—	19	—	—		
Input Capacitance	C_i		—	10	—	10	—	10	—	10	—	10	—	10	pF	

*Noncascaded operation only. With cascaded counters clock-to-terminal count propagation delays, count enables (\overline{PE} or \overline{TE})-to-clock SETUP TIMES, and count enables (\overline{PE} or \overline{TE})-to-clock HOLD TIMES determine max. clock frequency. For example, with these HC devices:

$$C_p f_{MAX} = \frac{1}{\text{CP-to-}\overline{TC} \text{ prop delay} + \overline{TE}\text{-to-CP Setup Time} + \overline{TE}\text{-to-CP Hold Time}} = \frac{1}{60+30+0} \approx 11 \text{ MHz}$$

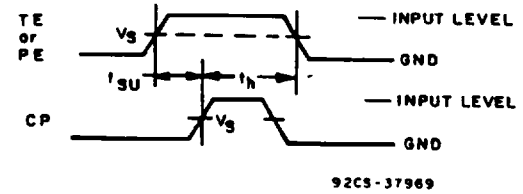
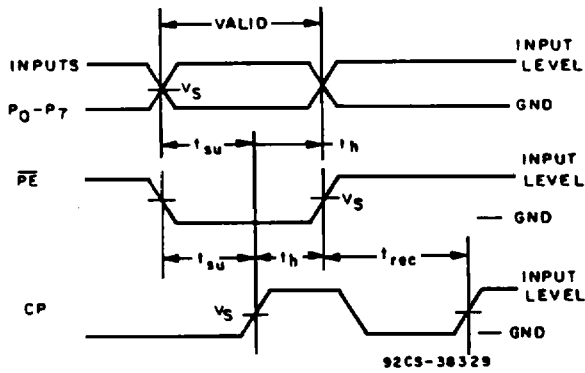
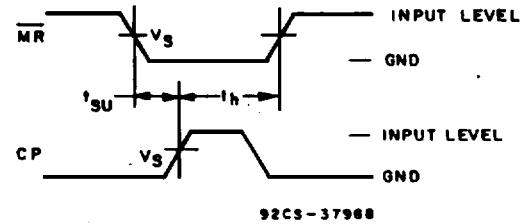
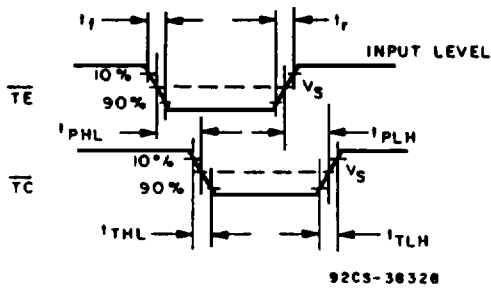
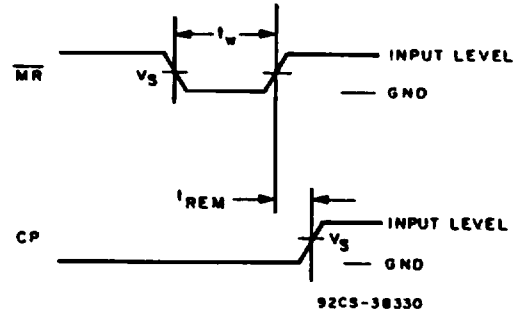
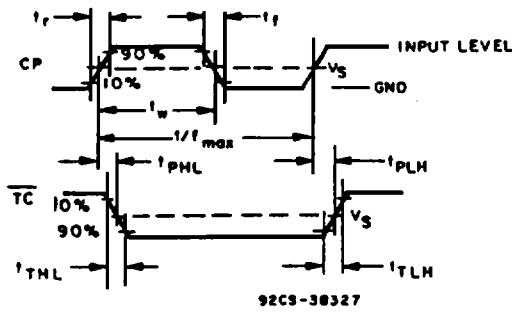


92CS-38331

TERMINAL ASSIGNMENT

CD54/74HC40102, CD54/74HCT40102

CD54/74HC40103, CD54/74HCT40103



	CD54/74HC	CD54/74HCT
Input Level	VCC	3 V
V_S	0.5 VCC	1.3 V

Transition times, propagation delay times, setup and hold times, and removal times.