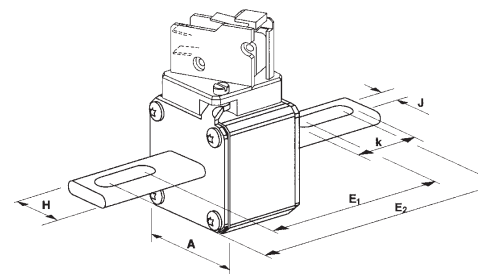
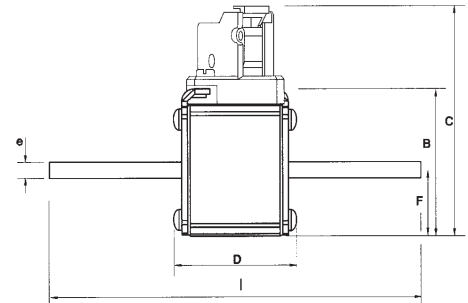




Protistor® Square-body Fuses PSC aR sizes 7x - 650 V to 1300 VAC American Terminals - 70 - 73 Blades

Size	Designation	Reference Number	Weight (g)	Packaging	Catalog Number
70	A 130 URD 70 LI 0050	-	380	3	-
	A 130 URD 70 LI 0063	W300652			A130UD70LI063
	A 130 URD 70 LI 0080	X300653			A130UD70LI080
	A 130 URD 70 LI 0100	Y300654			A130UD70LI100
	A 130 URD 70 LI 0125	Z300655			A130UD70LI125
	A 130 URD 70 LI 0160	A300656			A130UD70LI160
	A 130 URD 70 LI 0200	B300657			A130UD70LI200
	A 130 URD 70 LI 0250	C300658			A130UD70LI250
	A 130 URD 70 LI 0280	Q300716			A130UD70LI280
	A 130 URD 70 LI 0315	D300659			A130UD70LI315
A 120 URD 70 LI 0350	E300660	A120UD70LI350			
71	A 130 URD 71 LLI0160	E300752	630	3	A130UD71LI160
	A 130 URD 71 LLI0200	F300661			A130UD71LI200
	A 130 URD 71 LLI0250	G300662			A130UD71LI250
	A 130 URD 71 LLI0280	R300717			A130UD71LI280
	A 130 URD 71 LLI0315	H300663			A130UD71LI315
	A 130 URD 71 LLI0350	J300664			A130UD71LI350
	A 130 URD 71 LLI0400	K300665			A130UD71LI400
	A 130 URD 71 LLI0450	L300666			A130UD71LI450
	A 120 URD 71 LLI0500	M300667			A120UD71LI500
	A 120 URD 71 LLI0550	N300668			A120UD71LI550
72	A 110 URD 71 LLI0630	P300669	860	3	A110UD71LI630
	A 130 URD 72 LI 0280	Q300670			A130UD72LI280
	A 130 URD 72 LI 0315	R300671			A130UD72LI315
	A 130 URD 72 LI 0350	S300672			A130UD72LI350
	A 130 URD 72 LI 0400	T300673			A130UD72LI400
	A 130 URD 72 LI 0450	V300674			A130UD72LI450
	A 130 URD 72 LI 0500	W300675			A120UD72LI500
	A 130 URD 72 LI 0550	X300676			A130UD72LI550
	A 120 URD 72 LI 0630	Y300677			A120UD72LI630
	A 110 URD 72 LI 0700	Z300678			A110UD72LI700
73	A 110 URD 72 LI 0800	A300679	1250	1-3	A110UD72LI800
	A 130 URD 73 LI 0315	B300680			A130UD73LI315
	A 130 URD 73 LI 0350	C300681			A130UD73LI350
	A 130 URD 73 LI 0400	D300682			A130UD73LI400
	A 130 URD 73 LI 0450	E300683			A130UD73LI450
	A 130 URD 73 LI 0500	F300684			A120UD73LI500
	A 130 URD 73 LI 0550	G300685			A130UD73LI550
	A 130 URD 73 LI 0630	H300686			A130UD73LI630
	A 130 URD 73 LI 0700	J300687			A130UD73LI700
	A 120 URD 73 LI 0800	K300688			A120UD73LI800
A 110 URD 73 LI 0900	L300689	A110UD73LI900			
A 100 URD 73 LI 1000	M300690	A100UD73LI1000			
A 100 URD 73 LI 1100	N300691	A100UD73LI1100			
A 100 URD 73 LI 1250	J301193	A100UD73LI1250			
A 90 URD 73 LI 1400	K301194	A90UD73LI1400			



Rated voltage 900 V to 1300 V as per American standard.

Microswitches supplied separately

Size	A	B	C	D	E1±1,3	E2±1,3	F	H	J	k	I±1,5	e
70	40	46,5	82	71	91,4	130,4	21	25	10,5	30	152,4	6
	1-9/16"	1-27/32"	3-7/32"	2-5/32"	3-13/32"	5-1/8"	53/64"	1"	13/32"	1-3/16"	6"	15/64"
71	51	56,5	91	71	91,4	130,4	25,5	25	10,5	30	152,4	6
	2"	2-7/32"	3-37/64"	2-25/32"	3-19/32"	5-1/8"	1"	1"	13/32"	1-3/16"	6"	15/64"
72	60	65,5	100	71	97,6	132,4	30	32	14,6	32	157,4	6
	2-23/64"	2-37/64"	3-15/16"	2-25/32"	3-23/32"	5-13/64"	1-3/16"	1-1/4"	9/16"	1-1/4"	6-3/16"	15/64"
73	74,5	79,5	114	72	98,8	131,4	37,2	40	15,9	32	157,4	6
	2-15/16"	3-1/8"	4-1/2"	2-53/64" (2-15/16")	3-57/64"	5-11/64"	1-15/32"	1-9/16"	5/8"	1-1/4"	6-3/16"	15/64"

Note:

Dimensions in mm
Dimensions in inches