

METAL SHELL RIBBON CONNECTOR 14, 24, 36 AND 50 POSITION, FEMALE THRU-HOLE AND BAIL MOUNT



LR92984 E60980

PHYSICAL PROPERTIES

INSULATION MATERIAL: Glass filled thermoplastic, rated UL 94V-0

COLOR: Blue

CONTACT MATERIAL: Beryllium copper: 30μ inches minimum gold over 50μ inches nickel in contact zone; tin-lead over nickel in termination area.

ELECTRICAL PROPERTIES

CURRENT RATING: 1 Amp

INSULATION RESISTANCE: >1000 Megohms @ 500 VDC

DIELECTRIC STRENGTH: >1000 VRMS (Sea Level)

ENVIRONMENTAL PROPERTIES

TEMPERATURE RATING: -55°C to 125°C

APPLICATION TOOLING

HAND TOOL	779-2100
use Die	779-2172
BENCH PRESS (MANUAL)	779-3200
use Base Plate	779-3184
BENCH PRESS (PNEUMATIC)	779-3500XT
use Platen	779-3130
use Base Plate	779-3184

ACCESSORIES

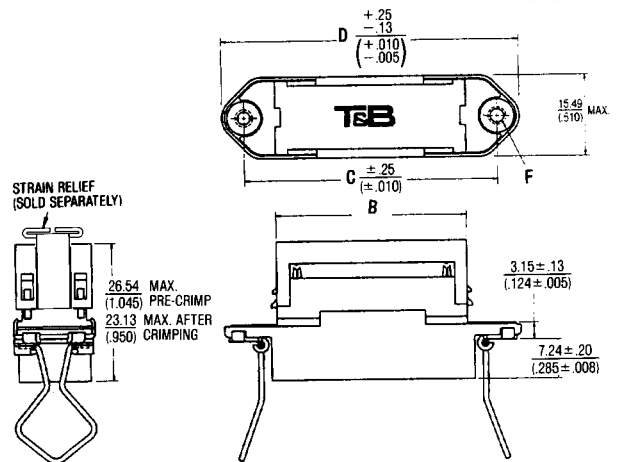
See pages 92-93

CABLE

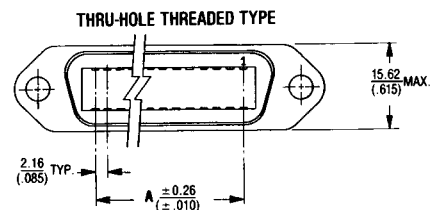
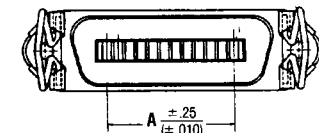
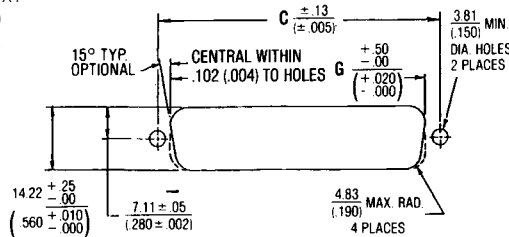
See pages 108-120

STRAIN RELIEF

ADD RSR AFTER NUMBER
OF POSITIONS IN PART NUMBER



RECOMMENDED PANEL CUTOUT DIMENSIONS (BACK PANEL MOUNTED)



Ordering Information

CATALOG NUMBER	NO. OF POS.	DIMENSIONS IN MM (INCHES)					
		A	B	C	D	F	G
622-14FM	14	12.95 (.510)	22.81 (.898)	35.99 (1.417)	39.12 (1.540)	.142 ± .003 Ø THRU	28.19 (1.110)
622-24FM	24	23.75 (.935)	35.51 (1.398)	46.78 (1.842)	54.99 (2.165)	.142 ± .003 Ø THRU	39.12 (1.540)
622-36FM	36	36.70 (1.445)	50.75 (1.998)	59.74 (2.352)	67.94 (2.675)	.142 ± .003 Ø THRU	51.82 (2.040)
622-50FM	50	51.82 (2.040)	68.53 (2.698)	74.85 (2.947)	83.06 (3.270)	.142 ± .003 Ø THRU	67.06 (2.640)
622-14FM1	14	12.95 (.510)	22.81 (.898)	35.99 (1.417)	39.12 (1.540)	M3.5x0.6-6H THD	28.19 (1.110)
622-24FM1	24	23.75 (.935)	35.51 (1.398)	46.78 (1.842)	54.99 (2.165)	M3.5x0.6-6H THD	39.12 (1.540)
622-36FM1	36	36.70 (1.445)	50.75 (1.998)	59.74 (2.352)	67.94 (2.675)	M3.5x0.6-6H THD	51.82 (2.040)
622-50FM1	50	51.82 (2.040)	68.53 (2.698)	74.85 (2.947)	83.06 (3.270)	M3.5x0.6-6H THD	67.06 (2.640)
622-14FM2	14	12.95 (.510)	22.81 (.898)	35.99 (1.417)	39.12 (1.540)	4-40 UNC-2B THD	28.19 (1.110)
622-24FM2	24	23.75 (.935)	35.51 (1.398)	46.78 (1.842)	54.99 (2.165)	4-40 UNC-2B THD	39.12 (1.540)
622-36FM2	36	36.70 (1.445)	50.75 (1.998)	59.74 (2.352)	67.94 (2.675)	4-40 UNC-2B THD	51.82 (2.040)
622-50FM2	50	51.82 (2.040)	68.53 (2.698)	74.85 (2.947)	83.06 (3.270)	4-40 UNC-2B THD	67.06 (2.640)
622-14FM3	14	12.95 (.510)	22.81 (.898)	35.99 (1.417)	39.12 (1.540)	Bail Mount	28.19 (1.110)
622-24FM3	24	23.75 (.935)	35.51 (1.398)	46.78 (1.842)	54.99 (2.165)	Bail Mount	39.12 (1.540)
622-36FM3	36	36.70 (1.445)	50.75 (1.998)	59.74 (2.352)	67.94 (2.675)	Bail Mount	51.82 (2.040)
622 50FM3	50	51.82 (2.040)	68.53 (2.698)	74.85 (2.947)	83.06 (3.270)	Bail Mount	67.06 (2.640)