

Dialight

556 Series

Day Light Viewable Panel Mount Indicators for 1" Mounting Hole Watertight - NEMA4X IP66



FEATURES / BENEFITS

- ▲ Daylight viewable - Clear lens to prevent phantom light effect
- ▲ Safety standards - UL and NEMA
- ▲ Tamperproof / Designed for high durability
- ▲ Long life, lasting up to 100k hours
- ▲ Uniform illumination - multi-LED construction
- ▲ Low profile flat lens: Non-tinted, non-diffused
- ▲ IP66 from front of panel

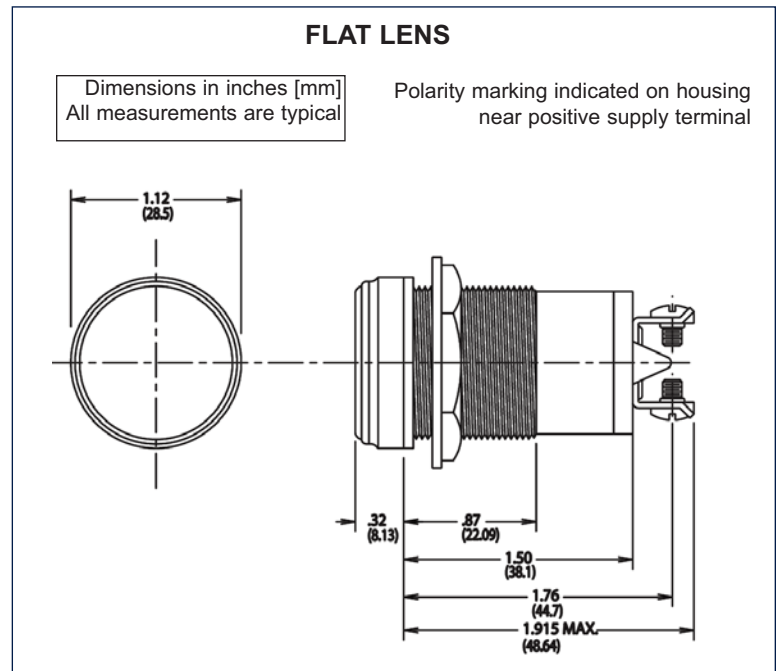
APPLICATIONS

The 556 Series LED Panel Mount Indicators incorporate both InGaN and AlInGaP technologies to offer higher intensities. This is a highly durable package, designed to withstand outdoor applications susceptible to rain, dust and sunlight.

- Instrument panels
- Safety applications
- UL 508 panel applications
- Agricultural controls
- Power Generators
- Environmental Monitoring Equipment
- Lane control
- Display lighting
- Transportation - rail, bus, airline
- Ground support Vehicles
- Pump system controllers
- ...And Many More

SPECIFICATIONS

- ▲ Available in red, yellow, green, blue, orange and cyan
- ▲ UL recognized - File #E156890
- ▲ Voltage range of 12 to 125 VDC, 125 and 230 VAC
- ▲ Front mounting in 1" clearance hole
- ▲ Watertight seal from front of panel meets NEMA 4X IP66
- ▲ Operating temperature: -30°C to +85°C
- ▲ Maximum Mounting Torque - 40 in./lb.
- ▲ Storage temperature: -40°C to +100°C
- ▲ Housing material: Nickel plated brass
- ▲ Lens material: Clear UV Stabilized Polycarbonate 94 -VO
- ▲ Max. panel thickness: .600"



Please see back of page for part numbers and additional specifications.

Dialight reserves the right to make changes at any time in order to supply the best product possible.



Dialight Corporation

1501 Route 34 South • Farmingdale, NJ 07727 USA

Tel: (1) 732-919-3119 • Fax: (1) 732-751-5778 • www.dialight.com



MDEL556CR_A



556 Series

Daylight Viewable LED Panel Mount Indicators for 1" Mounting Hole Watertight - NEMA4X IP66

PART NUMBER	COLOR	VOLTAGE	VOLTAGE TYPE	CURRENT (MA)	TYPICAL INTENSITY (FL)
556-1503-314F	Red	12	VDC	95	3000
556-1603-314F	Green	12	VDC	60	4000
556-1683-314F	Cyan	12	VDC	60	4000
556-1703-314F	Yellow	12	VDC	95	3000
556-1803-314F	Blue	12	VDC	60	1200
556-1903-314F	Orange	12	VDC	95	3000
556-1504-314F	Red	24	VDC	46	3000
556-1604-314F	Green	24	VDC	32	4000
556-1684-314F	Cyan	24	VDC	32	4000
556-1704-314F	Yellow	24	VDC	46	3000
556-1804-314F	Blue	24	VDC	32	1200
556-1904-314F	Orange	24	VDC	46	1200
556-1508-314F	Red	37.5	VDC	20	2600
556-1608-314F	Green	37.5	VDC	16	4000
556-1708-314F	Yellow	37.5	VDC	20	2600
556-1506-314F	Red	72	VDC	18.5	1800
556-1606-314F	Green	72	VDC	16	1800
556-1706-314F	Yellow	72	VDC	20	1000
556-1507-314F	Red	125	VDC	10	700
556-1607-314F	Green	125	VDC	10	1000
556-1707-314F	Yellow	125	VDC	10	700
556-1505-314F	Red	125	VAC	10.5	1200
556-1605-314F	Green	125	VAC	9.5	1800
556-1685-314F	Cyan	125	VAC	9.5	1800
556-1705-314F	Yellow	125	VAC	10.5	1200
556-1805-314F	Blue	125	VAC	9.5	500
556-1905-314F	Orange	125	VAC	10.5	500
556-1509-314F	Red	230	VAC	7	1200
556-1609-314F	Green	230	VAC	7	1800
556-1709-314F	Yellow	230	VAC	7	1200
556-1809-314F	Blue	230	VAC	7	500
556-1909-314F	Orange	230	VAC	7	1800

Other voltages are available.
Please contact our factory for more information.

Dialight reserves the right to make changes at any time
in order to supply the best product possible.

Dialight Corporation

1501 Route 34 South • Farmingdale, NJ 07727 USA

Tel: (1) 732-919-3119 • Fax: (1) 732-751-5778 • www.dialight.com



MDEL556CRL_A