

Pin spacing 7.5 mm/0.295 in, grey
0.08 – 2.5 mm² | AWG 28 – 12
 400 V/6 kV/3 | 300 V, 15 A
 16 A | 300 V, 15 A

8 – 9 mm / 0.33 in

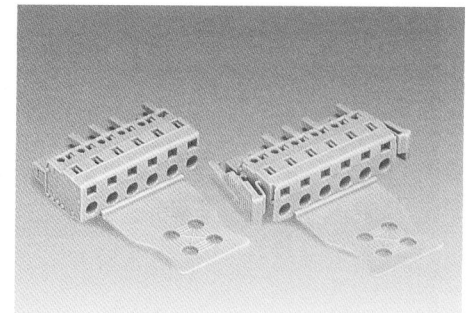
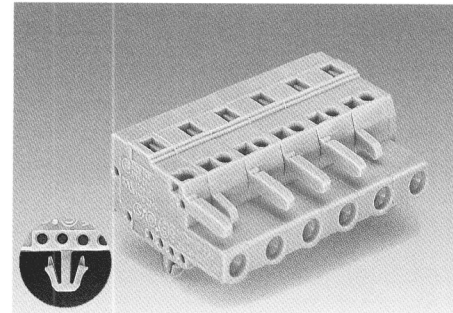
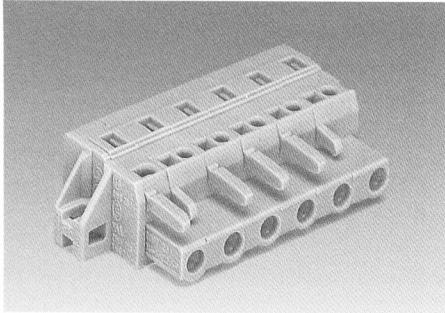
*

Pin spacing 7.5 mm/0.295 in, grey
0.08 – 2.5 mm² | AWG 28 – 12
 400 V/6 kV/3 | 300 V, 15 A
 16 A | 300 V, 15 A

8 – 9 mm / 0.33 in

*

For strain relief plates
 see page 4.88



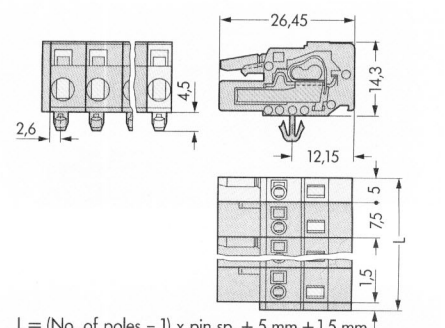
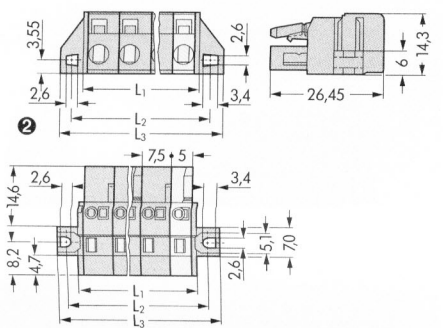
No. of poles	Item-No.	No. of poles	Item-No.	"B"	Additional item-No. for ...
Female connectors with CAGE CLAMP® and fixing flanges, for panel mounting, with coding fingers, with two latches, for screw fixing or similar methods, grey		Female connectors with CAGE CLAMP® and snap-in mounting feet, w. coding fingers, with two latches, grey, for plate thickness 0.6 mm–1.2 mm, fixing hole Ø 3.5 mm (or w. mount. adapter 209-137 for DIN 35 rail)		... Female connectors with CAGE CLAMP® and strain relief plate	
3 (one latch only)	231-203/031-000	2 (one latch only)	231-202/008-000	11.5 mm	.../032-000
4	231-204/031-000	3 (one latch only)	231-203/008-000	20 mm	.../033-000
5	231-205/031-000	4	231-204/008-000	30 mm	.../034-000
6	231-206/031-000	5	231-205/008-000	50 mm	.../035-000
7	231-207/031-000	6	231-206/008-000	B = width of strain relief plate	
8	231-208/031-000	7	231-207/008-000	Ordering example:	
9	231-209/031-000	8	231-208/008-000	Female connector with locking device, pin spacing	
10	231-210/031-000	9	231-209/008-000	7.5 mm/0.295 in, grey, with strain relief plate	
11	231-211/031-000	10	231-210/008-000	3-pole	
12	231-212/031-000	11	231-211/008-000	231-203/037-000/033-000	
16	231-216/031-000	12	231-212/008-000		
		16	231-216/008-000		

	Test plug, w. cable 500 mm/1'7.7" 2 mm/0.079 in Ø, red 210-136 2.3 mm/0.091 in Ø, yel. 210-137
	Insulation stop, 5 pcs/strip 0.08 - 0.2 mm ² ① (white) 231-673 0.25 - 0.5 mm ² (light gr.) 231-674 0.75 - 1 mm ² (dark grey) 231-675
	Tapping screw, B 2.2 x 9.5 209-147 fixing hole Ø 1.8 mm
	Marker strips, self-adhesive 1-16 (20 x) 249-150/210-222

	Test plug, w. cable 500 mm/1'7.7" 2 mm/0.079 in Ø, red 210-136 2.3 mm/0.091 in Ø, yel. 210-137
	Insulation stop, 5 pcs/strip 0.08 - 0.2 mm ² ① (white) 231-673 0.25 - 0.5 mm ² (light gr.) 231-674 0.75 - 1 mm ² (dark grey) 231-675
	Mounting adapter, for DIN 35 rail, grey 209-137
	Marker strips, self-adhesive 1-16 (20 x) 249-150/210-222

① 0.2 mm² solid / 0.14 mm² f-st

② (No. of poles - 1) x pin spacing
 L₁ = A + 5 mm + 3 mm
 L₂ = A + 5 mm + 8.8 mm
 L₃ = A + 5 mm + 14.8 mm



L = (No. of poles - 1) x pin sp. + 5 mm + 1.5 mm