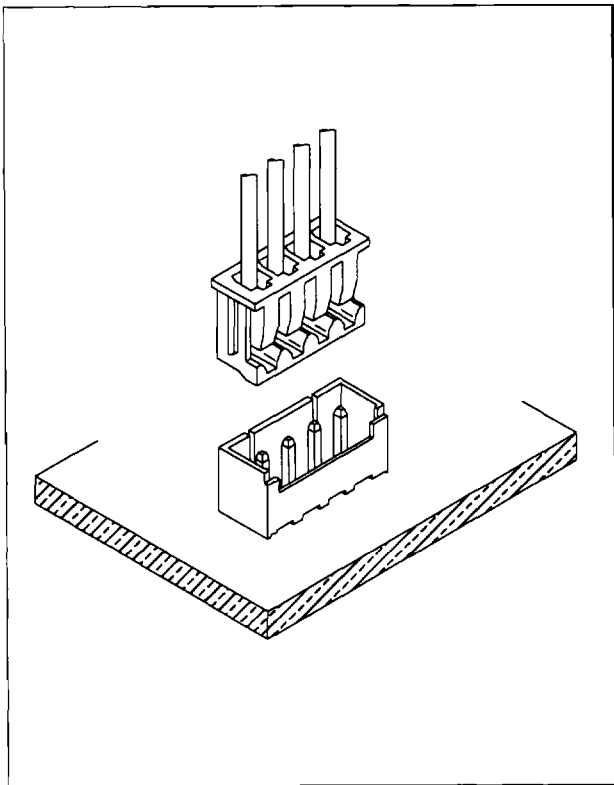


Features

- ◆ 1254 Housing:
 - Available in 2 through 15 circuits
 - PBTP, UL94V-0
 - Accepts Leoco 1254 crimp terminal
 - Mates with Leoco 1254 header
- ◆ 1254 Terminal:
 - Accommodate wire range AWG 30
 - Use in Leoco 1254 series socket
 - Mates with 0.30mm(.011") pin
 - Material: Phosphor bronze
- ◆ 1254 Header:
 - Available in 2 through 15 circuits
 - Nylon-6T UL94V-0
 - 0.30mm(.011") pin
 - Mates with Leoco 1254 socket



Specifications

- ◆ Current rating: 1Amp.
- ◆ Voltage rating: AC 150 Volts.
- ◆ Temperature rating: -40°C to +105°C
- ◆ Mating pin size: 0.30mm ± 0.025mm
- ◆ Contact Resistance: 20mΩ Max.
- ◆ Insulation Resistance: 1000MΩ Min.
- ◆ Dielectric Withstanding Voltage: AC 500V/minute

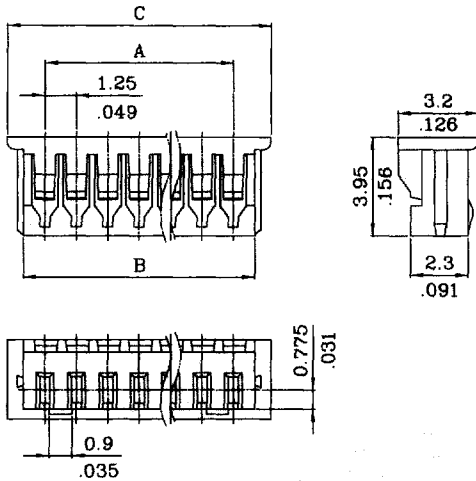
1254 Series 1.25mm (.049") Crimp Type Socket



Unit : $\frac{\text{mm}}{\text{inch}}$

A

Dimensional & Ordering Information:

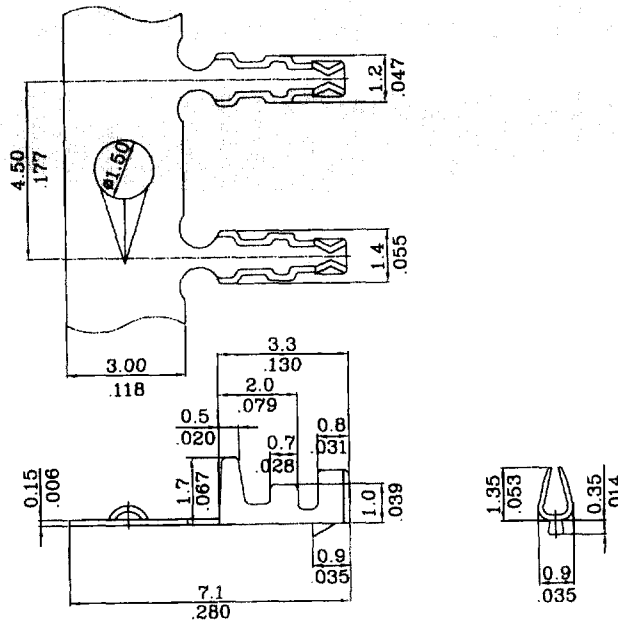


Circuits	Part No.	Dimension		
		A	B	C
2	1254S020000	1.25(.049)	2.95(.116)	4.25(.167)
3	1254S030000	2.50(.098)	4.20(.165)	5.50(.217)
4	1254S040000	3.75(.148)	5.45(.215)	6.75(.266)
5	1254S050000	5.00(.197)	6.70(.264)	8.00(.315)
6	1254S060000	6.25(.246)	7.95(.313)	9.25(.364)
7	1254S070000	7.50(.295)	9.20(.362)	10.50(.413)
8	1254S080000	8.75(.344)	10.45(.411)	11.75(.463)
9	1254S090000	10.00(.394)	11.70(.461)	13.00(.512)
10	1254S100000	11.25(.443)	12.95(.510)	14.25(.561)
11	1254S110000	12.50(.492)	14.20(.559)	15.50(.610)
12	1254S120000	13.75(.541)	15.45(.608)	16.75(.659)
13	1254S130000	15.00(.591)	16.70(.657)	18.00(.709)
14	1254S140000	16.25(.640)	17.95(.707)	19.25(.758)
15	1254S150000	17.50(.689)	19.20(.756)	20.50(.807)

1254 Series 1.25mm (.049") Crimp Terminal



Unit : $\frac{\text{mm}}{\text{inch}}$



Specifications & Ordering Information:

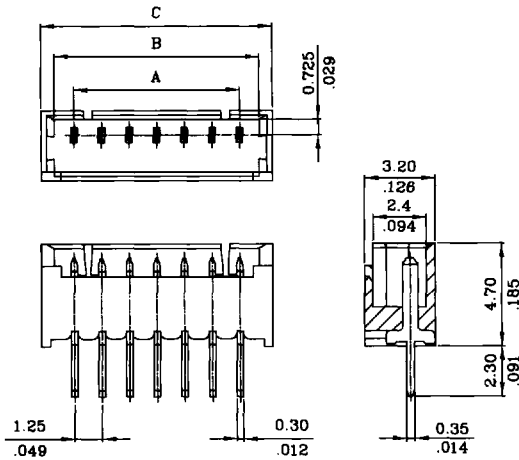
Part No.	Wire Ranges	Insulation Diameter	Reel Q'ty	Tooling
1254TPB0000	AWG 30	1.56 (.061) MAX.	25,000PCS	*CD-1254R01

1254 Series 1.25mm (.049") Header

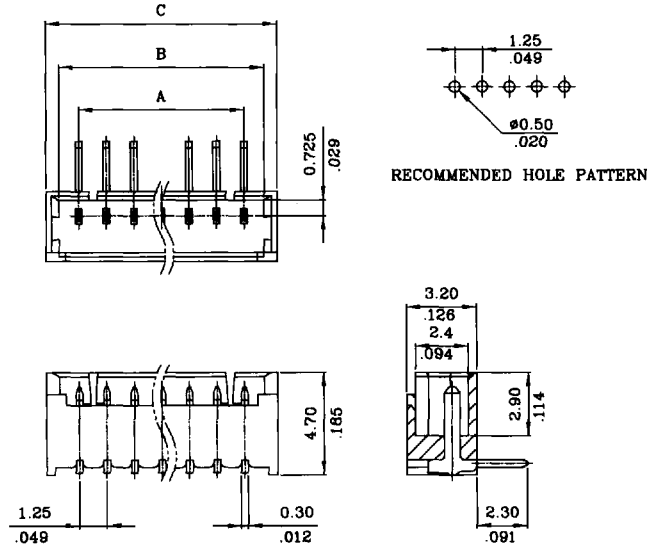


UNIT : $\frac{\text{mm}}{\text{inch}}$

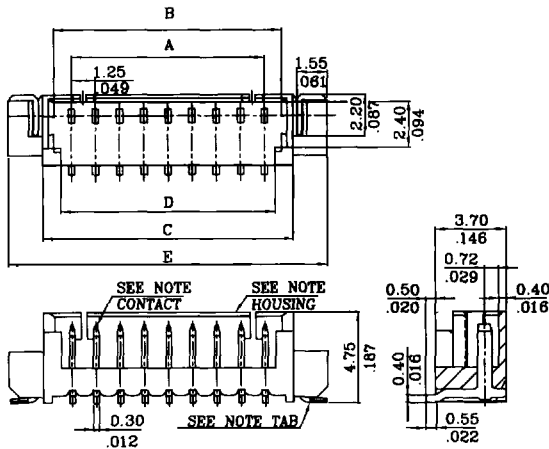
Straight (V version)



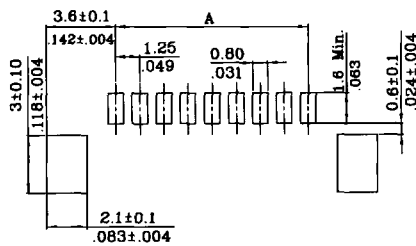
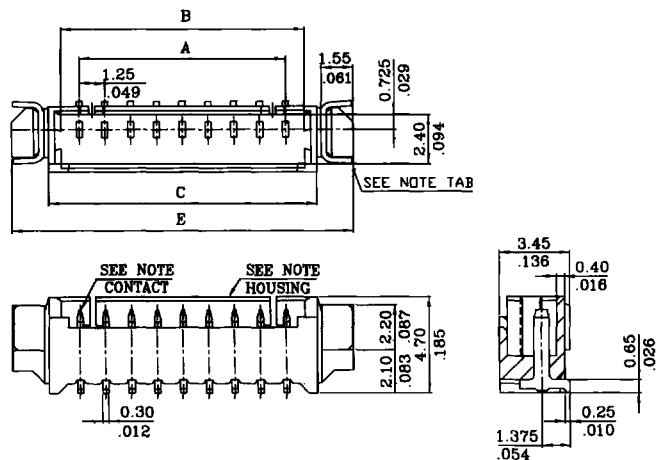
Right Angle (H version)



SMT Type (V version)



SMT Type (H version)



RECOMMENDED HOLE PATTERN

Ordering Information:

1254P 15 * * 0 *
1 2 3 4 5

- Series No.
- No. of circuits
- V = Straight
H = Right Angle
M = SMT Type
- 0 = Special options
V = Straight
H = Right Angle
- Packing
0 = Tape & Reel
1 = Tube

- A = (No. of contacts - 1) * 1.25mm
B = No. of contacts * 1.25mm + 0.55mm
C = No. of contacts * 1.25mm + 1.75mm
D = No. of contacts * 1.25mm - 0.15mm
E = No. of contacts * 1.25mm + 5.29mm