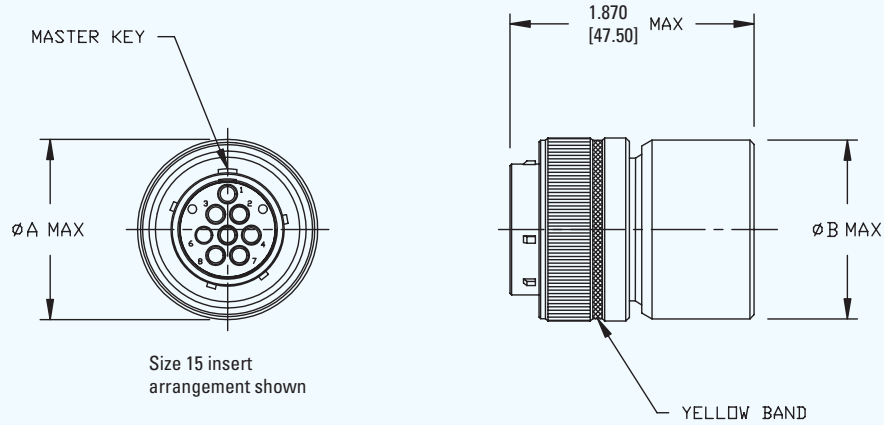
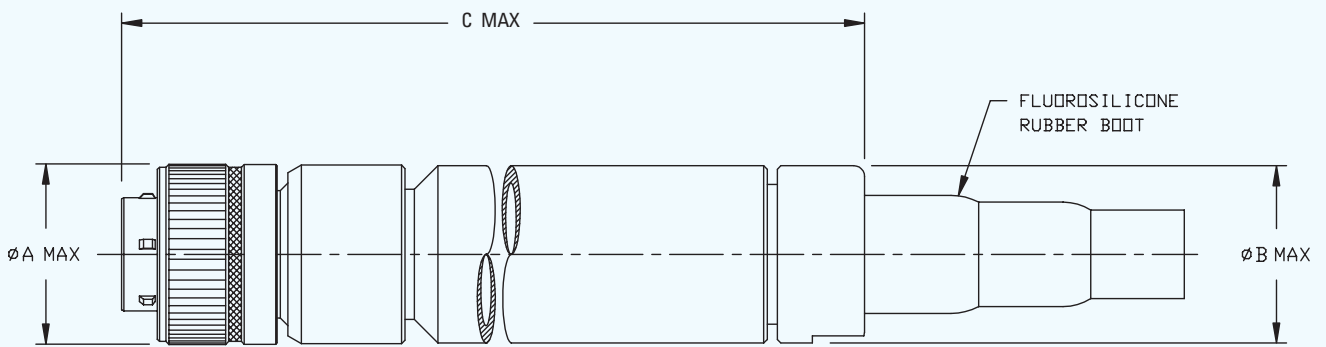


# Plug Connectors



**M28876/6 or 4565143**



**M28876/7 or 1145846**

**Dimension Table, Plug Connectors**

Connector Size	ØA Max.	ØB Max.	C Max.	D Max.	E Max.	F Max.	G Max.
11	1.028 [26.11]	.960 [24.38]	5.960 [151.38]	6.090 [154.69]	3.540 [89.92]	4.190 [106.43]	4.250 [107.95]
13	1.141 [28.98]	1.085 [27.56]	5.960 [151.38]	6.160 [156.46]	3.580 [90.93]	4.190 [106.43]	4.250 [107.95]
15	1.263 [32.08]	1.257 [31.93]	5.960 [151.38]	6.440 [163.58]	3.850 [97.79]	4.440 [112.78]	4.500 [114.30]
23	1.705 [43.31]	1.703 [43.26]	5.960 [151.38]	7.350 [186.69]	5.000 [127.00]	4.850 [123.19]	5.000 [127.00]

Dimensions shown are for reference only. Unless otherwise specified, dimensions are in inches and [millimeters].