



Elite CRS-53

Miniature 2P3T DC-26.5GHz

Failsafe

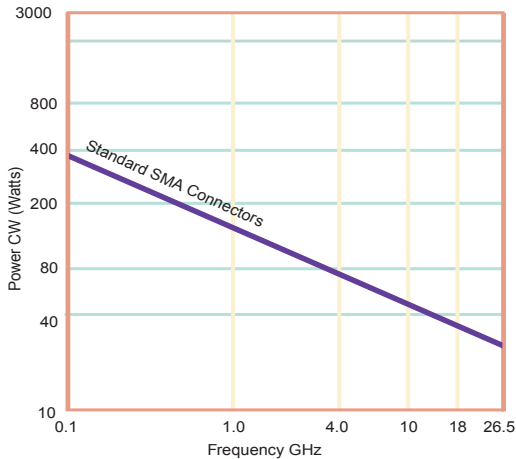
The CRS-53 switch is a broadband, 2P3T, electromechanical coaxial switch designed to switch a microwave signal from a common input to either of two outputs. The characteristic impedance is 50 Ohms. The switches are small with the minimum spacing that is compatible with SMA connectors, and can also be used as a SPDT switch with external terminations.

The CRS-53 comes with either a failsafe or latching actuator.

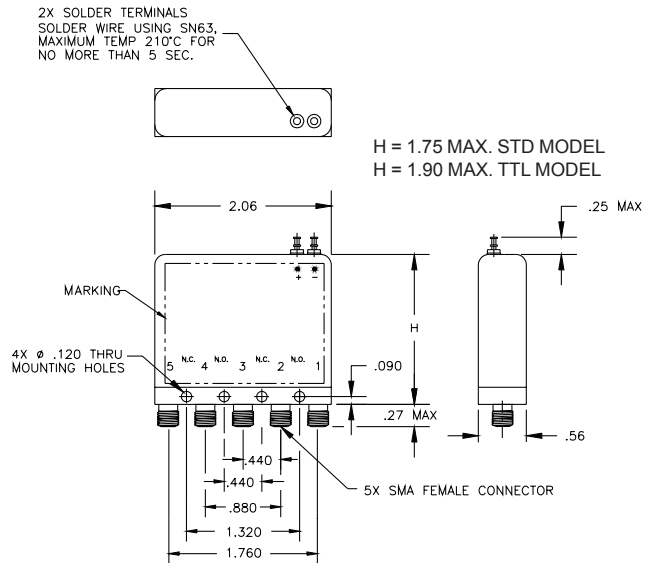
Specifications

RF Contacts:	Break before make			
Actuator	Voltage (VDC) 20°C	12	15	28
	Current (mA)	420	350	200
Switching Time:	20 msec max			
Connectors:	SMA (f)			
Weight:	2.65 oz. max			
Temperature Range:	-55° C to +85° C (Operating)			
Shock:	MIL-STD-202 Method 213, Condition D (500G Non Operating)			
Vibration:	MIL-STD-202 Method 214, Condition D (10G RMS Non Operating)			
Humidity:	Moisture Seal Available			
MTBF:	7.3 Million Hours (MIL-HDBK-217F			
	Fixed, 25°C, <1 Cycle per hour)			

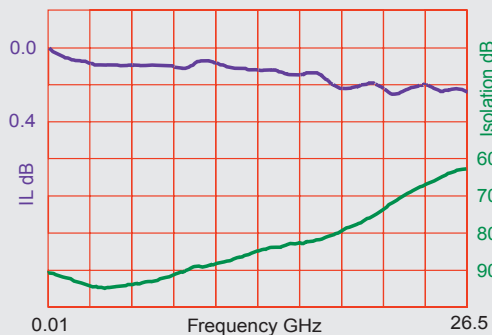
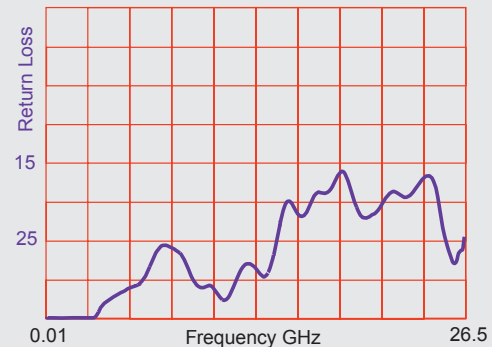
RF Power Handling:



Specifications	DC-6 GHz	6-12 GHz	12-18 GHz	18-26.5GHz
VSWR (max)	1.25:1	1.40:1	1.50:1	1.80:1
Insertion Loss (min)	0.20 dB	0.40 dB	0.50 dB	0.70 dB
Isolation (max)	70.0 dB	60.0 dB	60.0 dB	50.0 dB



Typical Performance



Specifications subject to change without notice.

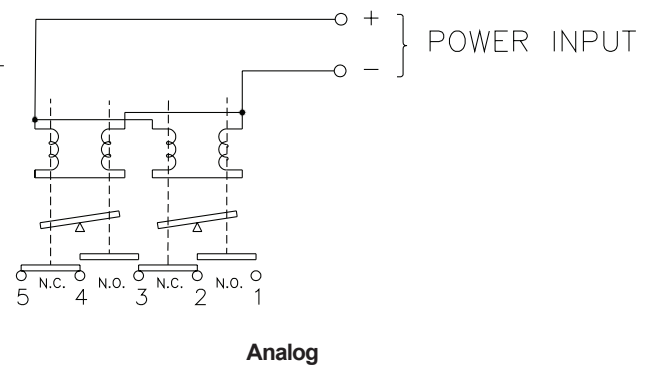
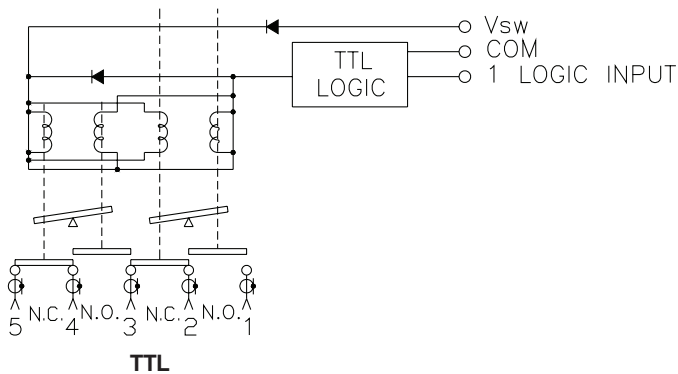
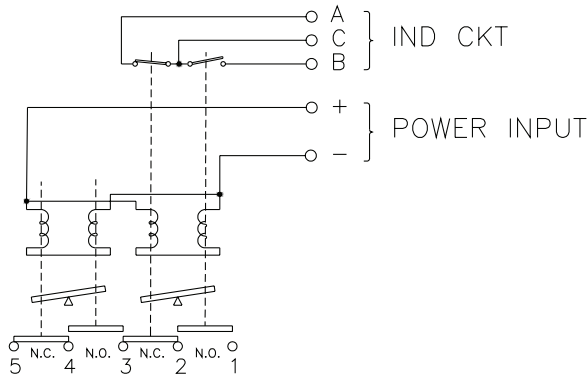
www.teledynecoax.com
email: coax@teledyne.com

Tel: (800) 351-7368
10/2007

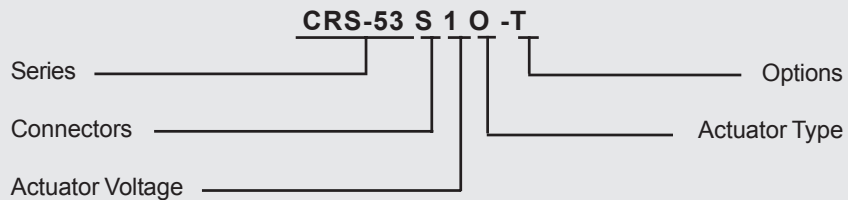
Elite CRS-53

Miniature 2P3T DC-26.5GHz

Failsafe



Part Numbering System for CRS-53 (Failsafe)



Connector
S: SMA Female

Actuator Voltage
1: 28Vdc Failsafe
2: 15Vdc Failsafe
3: 12Vdc Failsafe

Actuator Type
O: No Indicator Contacts
C: Indicator Contacts

Options
T: TTL Drivers with Diodes
R: Positive + Common

For other options contact Factory



Specifications subject to change without notice.

www.teledynecoax.com
email: coax@teledyne.com

Tel: (800) 351-7368

10/2007