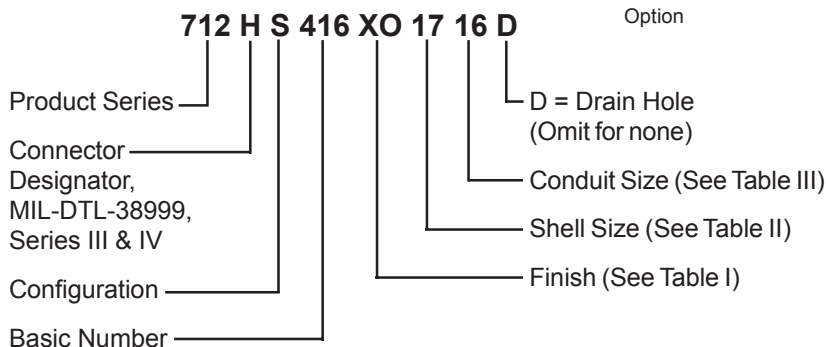
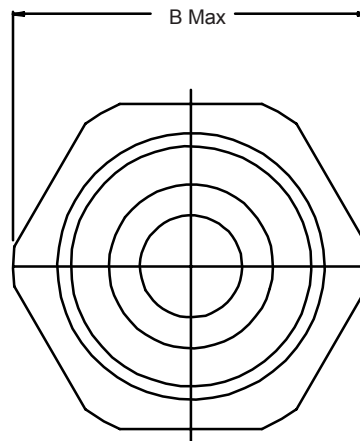
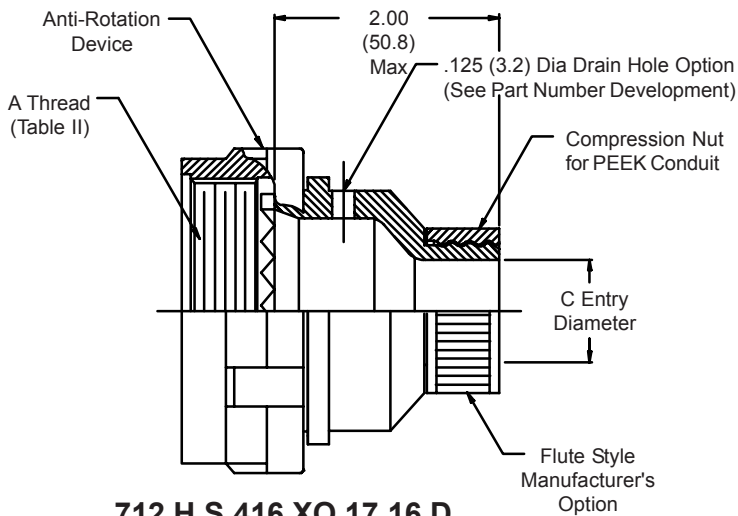


Composite Connector Backshell Adapter for MIL-DTL-38999 Series III and IV Fiber Optic Connectors 712-416 - Straight, PEEK Only



NOTES:

1. Metric dimensions (mm) are in parentheses and are for reference only.
2. Material:
 Adapter, Coupling and Compression Nuts - High-Grade Engineering Thermoplastic.
 O-Ring - Fluorosilicone or Silicone.
 Anti-Rotation Device: Corrosion Resistant Material.
3. Unless otherwise specified, the backshell body to be supplied finished per Table I.
 All other components to be supplied without plating.

TABLE I: FINISH

Symbol	Finish Description
XM	Electroless Nickel
XW	Cadmium Olive Drab over Electroless Nickel
XO	No Plating - Base

TABLE II: SHELL SIZE

Shell Size	A Thread ISO Metric	B Max
11	M15 x 1 - 6H	.98 (24.0)
13	M18 x 1 - 6H	1.16 (28.4)
15	M22 x 1 - 6H	1.28 (32.5)
17	M25 x 1 - 6H	1.41 (35.8)
19	M28 x 1 - 6H	1.52 (38.6)
21	M31 x 1 - 6H	1.64 (41.7)
23	M34 x 1 - 6H	1.77 (43.4)
25	M37 x 1 - 6H	1.89 (48.0)

TABLE III: TUBING SIZE

PEEK Conduit Size		C Entry Dia.
Dash No.	Fractional Size	
06	3/16	.100 (2.5)
09	9/32	.171 (4.2)
12	3/8	.265 (6.7)
16	1/2	.390 (9.6)
20	5/8	.515 (12.6)
24	3/4	.640 (15.7)
28	7/8	.765 (18.7)
32	1	.890 (21.8)

Custom Conduit Assemblies

Wired, Terminated and Tested—Ready for Use

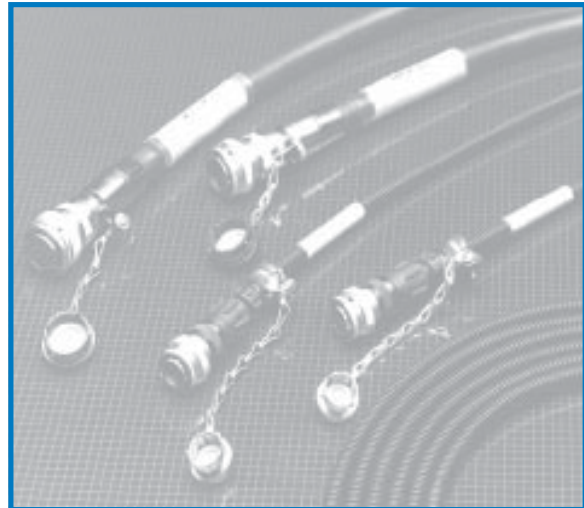
Glenair Custom Fiber Optic Conduit Assemblies

Glenair's complete capability in interconnect systems extends to the design, manufacture and test of custom conduit assemblies - built to your exact specifications. Our turn-key service includes everything from engineering and design assistance to the on-time delivery of completely wired, terminated and tested assemblies—ready for immediate use.

Glenair's has established an enviable reputation for consistently high quality. Regardless of simplicity or complexity, or whether quantities are large or small, the same high standards of quality assurance are applied uniformly. Our zero-defect quality systems



and strict adherence to military and commercial testing standards ensures each conduit assembly is thoroughly inspected at each stage of the assembly process. Each system undergoes a final inspection process which includes appearance, identification, dielectric, continuity, and insulation tests conducted on a 100% basis in preparation for final customer



source inspection.

Glenair has built electrical, optical and hybrid assemblies for military, commercial and industrial customers since the 1950's. Our expertise extends from simple point to point assemblies to complex multi-branch and fiber optic systems. Today, we're building everything from overmolded fiber optic assemblies for marine use, to wheel-well assemblies for the world's leading aircraft manufacturers.

Our in-house braiding and sleeving capabilities enable us to build both repairable and non-repairable assemblies suitable for use in harsh electromagnetic and environmental conditions. We offer a complete range of jacketing, shielding and braided protective covering options including NBC (nuclear, biological, chemical) materials.

From unique, one-of-a-kind conduit system, to high volume mass production needs, Glenair can provide you with consistent quality, reliable service and cost-effective wire media protection solutions.